



DS3131 BoSS 40-Port, Unchannelized Bit-Synchronous HDLC

www.maxim-ic.com

GENERAL DESCRIPTION

The DS3131 bit-synchronous (BoSS) HDLC controller can handle up to 40 channels of high-speed, unchannelized, bit-synchronous HDLC. The on-board DMA has been optimized for maximum flexibility and PCI bus efficiency to minimize host processor intervention in the data path. Diagnostic loopbacks and an on-board BERT remove the need for external components.

APPLICATIONS

- Routers
- xDSL Access Multiplexers (DSLAMs)
- Clear-Channel (Unchannelized) T1/E1
- Clear-Channel (Unchannelized) T3/E3
- SONET/SDH Path Overhead Termination
- High-Density V.35 Terminations
- High-Speed Links such as HSSI

FEATURES

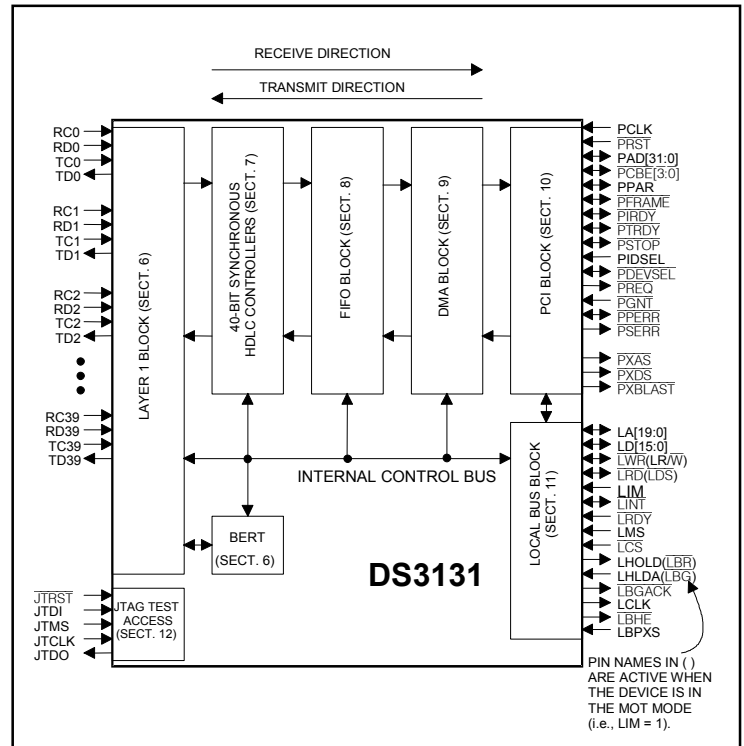
- 40 Timing Independent Ports
- 40 Bidirectional HDLC Channels
- Each Port Can Operate Up to 52Mbps
- Up to 132Mbps Full-Duplex Throughput
- On-Board Bit Error-Rate Tester (BERT)
- Diagnostic Loopbacks in Both Directions
- Local Bus Supports PCI Bridging
- 33MHz 32-Bit PCI Interface
- Full Suite of Driver Code

Features continued on page 6.

ORDERING INFORMATION

PART	TEMP RANGE	PIN-PACKAGE
DS3131	0°C to +70°C	272 PBGA

FUNCTIONAL DIAGRAM



Note: Some revisions of this device may incorporate deviations from published specifications known as errata. Multiple revisions of any device may be simultaneously available through various sales channels. For information about device errata, click here: www.maxim-ic.com/errata.

TABLE OF CONTENTS

1.	MAIN FEATURES	6
2.	DETAILED DESCRIPTION	7
3.	SIGNAL DESCRIPTION.....	14
3.1	OVERVIEW/SIGNAL LIST.....	14
3.2	SERIAL PORT INTERFACE SIGNAL DESCRIPTION	20
3.3	LOCAL BUS SIGNAL DESCRIPTION	20
3.4	JTAG SIGNAL DESCRIPTION	23
3.5	PCI BUS SIGNAL DESCRIPTION	24
3.6	PCI EXTENSION SIGNALS	26
3.7	SUPPLY AND TEST SIGNAL DESCRIPTION	27
4.	MEMORY MAP	28
4.1	INTRODUCTION	28
4.2	GENERAL CONFIGURATION REGISTERS (0XX)	28
4.3	RECEIVE PORT REGISTERS (1XX)	29
4.4	TRANSMIT PORT REGISTERS (2XX).....	30
4.5	RECEIVE HDLC CONTROL REGISTERS (3XX)	31
4.6	TRANSMIT HDLC CONTROL REGISTERS (4XX).....	32
4.7	BERT REGISTERS (5XX).....	33
4.8	RECEIVE DMA REGISTERS (7XX).....	33
4.9	TRANSMIT DMA REGISTERS (8XX).....	34
4.10	FIFO REGISTERS (9XX)	34
4.11	PCI CONFIGURATION REGISTERS FOR FUNCTION 0 (PIDSEL/Axx)	35
4.12	PCI CONFIGURATION REGISTERS FOR FUNCTION 1 (PIDSEL/Bxx).....	35
5.	GENERAL DEVICE CONFIGURATION AND STATUS/INTERRUPT.....	36
5.1	MASTER RESET AND ID REGISTER DESCRIPTION	36
5.2	MASTER CONFIGURATION REGISTER DESCRIPTION.....	37
5.3	STATUS AND INTERRUPT	39
5.3.1	<i>General Description of Operation</i>	<i>39</i>
5.3.2	<i>Status and Interrupt Register Description.....</i>	<i>41</i>
5.4	TEST REGISTER DESCRIPTION	46
6.	LAYER 1.....	47
6.1	GENERAL DESCRIPTION.....	47
6.2	PORT REGISTER DESCRIPTIONS	49
6.3	BERT	51
6.4	BERT REGISTER DESCRIPTION	52
7.	HDLC	59
7.1	GENERAL DESCRIPTION.....	59
7.2	HDLC OPERATION	59
7.3	BIT-SYNCHRONOUS HDLC REGISTER DESCRIPTION	61
8.	FIFO	65
8.1	GENERAL DESCRIPTION AND EXAMPLE	65
8.1.1	<i>Receive High Watermark</i>	<i>67</i>
8.1.2	<i>Transmit Low Watermark.....</i>	<i>67</i>
8.2	FIFO REGISTER DESCRIPTION	68
9.	DMA	74
9.1	INTRODUCTION	74
9.2	RECEIVE SIDE	76
9.2.1	<i>Overview</i>	<i>76</i>
9.2.2	<i>Packet Descriptors</i>	<i>80</i>
9.2.3	<i>Free Queue.....</i>	<i>82</i>

9.2.4	<i>Done Queue</i>	87
9.2.5	<i>DMA Configuration RAM</i>	93
9.3	TRANSMIT SIDE.....	97
9.3.1	<i>Overview</i>	97
9.3.2	<i>Packet Descriptors</i>	105
9.3.3	<i>Pending Queue</i>	107
9.3.4	<i>Done Queue</i>	111
9.3.5	<i>DMA Configuration RAM</i>	116
10.	PCI BUS	121
10.1	GENERAL DESCRIPTION	121
10.1.1	<i>PCI Read Cycle</i>	122
10.1.2	<i>PCI Write Cycle</i>	123
10.1.3	<i>PCI Bus Arbitration</i>	124
10.1.4	<i>PCI Initiator Abort</i>	124
10.1.5	<i>PCI Target Retry</i>	125
10.1.6	<i>PCI Target Disconnect</i>	125
10.1.7	<i>PCI Target Abort</i>	126
10.1.8	<i>PCI Fast Back-to-Back</i>	127
10.2	PCI CONFIGURATION REGISTER DESCRIPTION	128
10.2.1	<i>Command Bits</i>	129
10.2.2	<i>Status Bits</i>	130
10.2.3	<i>Command Bits</i>	134
10.2.4	<i>Status Bits</i>	135
11.	LOCAL BUS	138
11.1	GENERAL DESCRIPTION.....	138
11.1.1	<i>PCI Bridge Mode</i>	141
11.1.2	<i>Configuration Mode</i>	143
11.2	LOCAL BUS BRIDGE MODE CONTROL REGISTER DESCRIPTION.....	145
11.3	EXAMPLES OF BUS TIMING FOR LOCAL BUS PCI BRIDGE MODE OPERATION	147
12.	JTAG	155
12.1	JTAG DESCRIPTION.....	155
12.2	TAP CONTROLLER STATE MACHINE DESCRIPTION	156
12.3	INSTRUCTION REGISTER AND INSTRUCTIONS.....	159
12.4	TEST REGISTERS	160
13.	AC CHARACTERISTICS	161
14.	MECHANICAL DIMENSIONS	169
14.1	272 PBGA PACKAGE.....	169
15.	APPLICATIONS	170
15.1	T1/E1 AND T3/E3 APPLICATIONS.....	170
15.2	DSL AND CABLE MODEM APPLICATIONS	173
15.3	SONET/SDH APPLICATIONS	174

LIST OF FIGURES

Figure 2-1. Block Diagram	10
Figure 2-2. Configuration Options.....	11
Figure 3-1. Signal Floorplan	19
Figure 5-1. Status Register Block Diagram for SM.....	40
Figure 6-1. Layer 1 Port Interface Block Diagram	48
Figure 6-2. BERT Mux Diagram	51
Figure 6-3. BERT Register Set	52
Figure 8-1. FIFO Example	66
Figure 9-1. Receive DMA Operation.....	78
Figure 9-2. Receive DMA Memory Organization	79
Figure 9-3. Receive Descriptor Example	80
Figure 9-4. Receive Packet Descriptors	81
Figure 9-5. Receive Free-Queue Descriptor	82
Figure 9-6. Receive Free-Queue Structure	84
Figure 9-7. Receive Done-Queue Descriptor.....	87
Figure 9-8. Receive Done-Queue Structure	89
Figure 9-9. Receive DMA Configuration RAM	93
Figure 9-10. Transmit DMA Operation	99
Figure 9-11. Transmit DMA Memory Organization	100
Figure 9-12. Transmit DMA Packet Handling.....	101
Figure 9-13. Transmit DMA Priority Packet Handling	102
Figure 9-14. Transmit DMA Error Recovery Algorithm.....	104
Figure 9-15. Transmit Descriptor Example	105
Figure 9-16. Transmit Packet Descriptors	106
Figure 9-17. Transmit Pending-Queue Descriptor.....	107
Figure 9-18. Transmit Pending-Queue Structure	109
Figure 9-19. Transmit Done-Queue Descriptor	111
Figure 9-20. Transmit Done-Queue Structure	113
Figure 9-21. Transmit DMA Configuration RAM.....	116
Figure 10-1. PCI Configuration Memory Map	121
Figure 10-2. PCI Bus Read	122
Figure 10-3. PCI Bus Write	123
Figure 10-4. PCI Bus Arbitration Signaling Protocol.....	124
Figure 10-5. PCI Initiator Abort	124
Figure 10-6. PCI Target Retry	125
Figure 10-7. PCI Target Disconnect	125
Figure 10-8. PCI Target Abort.....	126
Figure 10-9. PCI Fast Back-to-Back.....	127
Figure 11-1. Bridge Mode.....	139
Figure 11-2. Bridge Mode with Arbitration Enabled.....	139
Figure 11-3. Configuration Mode	140
Figure 11-4. Local Bus Access Flowchart	144
Figure 11-5. 8-Bit Read Cycle	147
Figure 11-6. 16-Bit Write Cycle	148
Figure 11-7. 8-Bit Read Cycle	149
Figure 11-8. 16-Bit Write (Only Upper 8 Bits Active) Cycle	150

Figure 11-9. 8-Bit Read Cycle	151
Figure 11-10. 8-Bit Write Cycle	152
Figure 11-11. 16-Bit Read Cycle	153
Figure 11-12. 8-Bit Write Cycle	154
Figure 12-1. Block Diagram	155
Figure 12-2. TAP Controller State Machine	156
Figure 13-1. Layer 1 Port AC Timing Diagram.....	162
Figure 13-2. Local Bus Bridge Mode (LMS = 0) AC Timing Diagram	163
Figure 13-3. Local Bus Configuration Mode (LMS = 1) AC Timing Diagrams.....	165
Figure 13-4. PCI Bus Interface AC Timing Diagram	167
Figure 13-5. JTAG Test Port Interface AC Timing Diagram	168
Figure 15-1. 28 T1 Lines Demuxed from a T3 Line.....	170
Figure 15-2. Multiport T1 or E1 Application	171
Figure 15-3. Unchannelized T3 or E3 Application.....	172
Figure 15-4. DSLAM/Cable Modem Application	173
Figure 15-5. SONET/SDH Overhead Termination Application.....	174

LIST OF TABLES

Table 1-A. Data Sheet Definitions	7
Table 2-A. Restrictions	12
Table 2-B. Initialization Steps	13
Table 2-C. Indirect Registers	13
Table 3-A. Signal Description	14
Table 4-A. Memory Map Organization	28
Table 6-A. HDLC Channel Assignment	47
Table 6-B. Port Configuration Options.....	47
Table 7-A. HDLC Channel Assignment.....	59
Table 7-B. Receive Bit-Synchronous HDLC Packet Processing Outcomes	60
Table 7-C. Receive Bit-Synchronous HDLC Functions	60
Table 7-D. Transmit Bit-Synchronous HDLC Functions	61
Table 8-A. FIFO Priority Algorithm Select.....	65
Table 9-A. DMA Registers to be Configured by the Host on Power-Up	75
Table 9-B. Receive DMA Main Operational Areas.....	77
Table 9-C. Receive Descriptor Address Storage	80
Table 9-D. Receive Free-Queue Read/Write Pointer Absolute Address Calculation.....	83
Table 9-E. Receive Free-Queue Internal Address Storage	83
Table 9-F. Receive Done-Queue Internal Address Storage	88
Table 9-G. Transmit DMA Main Operational Areas	97
Table 9-H. Done-Queue Error-Status Conditions	103
Table 9-I. Transmit Descriptor Address Storage	105
Table 9-J. Transmit Pending-Queue Internal Address Storage.....	108
Table 9-K. Transmit Done-Queue Internal Address Storage.....	112
Table 11-A. Local Bus Signals (LBPXS Floating or Connected High)	138
Table 11-B. Local Bus 8-Bit Width Address, LBHE Setting	141
Table 11-C. Local Bus 16-Bit Width Address, LD, LBHE Setting	142
Table 12-A. Instruction Codes	159

1. MAIN FEATURES

- **Layer 1**
 - 40 independent bit-synchronous physical ports capable of speeds up to 52Mbps
 - Each port can be independently configured
 - Loopback in both directions (receive to transmit and transmit to receive)
 - On-board BERT generation and detection
- **HDLC**
 - 40 independent full-duplex HDLC channels
 - 132Mbps throughput in both the receive and transmit directions with a 33MHz PCI clock
 - Transparent mode
 - Automatic flag detection and generation
 - Shared opening and closing flag
 - Interframe fill
 - Zero stuffing and destuffing
 - CRC16/32 checking and generation
 - Abort detection and generation
 - CRC error and long/short frame-error detection
 - Bit flip
 - Invert data
- **FIFO**
 - Large 8kB receive and 8kB transmit buffers maximize PCI bus efficiency
 - Small block size of 16 Bytes allows maximum flexibility
 - Programmable low and high watermarks
 - Programmable HDLC channel priority setting
- **DMA**
 - Efficient scatter-gather DMA minimizes PCI bus accesses (same as the DS3134 Chateau)
 - Programmable small and large buffer sizes up to 8191 Bytes and algorithm select
 - Descriptor bursting to conserve PCI bus bandwidth
 - Programmable packet-storage address offset
 - Identical receive and transmit descriptors minimize host processing in store-and-forward
 - Automatic channel disabling and enabling on transmit errors
 - Receive packets are timestamped
 - Transmit packet priority setting
- **PCI Bus**
 - 32-bit, 33MHz
 - Version 2.1 Compliant; See t5 in the *PCI Bus AC Characteristics* for a 1ns exception.
 - Note:** This does not affect real-world designs. DS3131 V_{IH} is also slightly higher than the PCI specification, as detailed in the first page of Section [13](#).
 - Contains extension signals that allow adoption to custom buses
 - Can burst up to 256 32-bit words to maximize bus efficiency
- **Local Bus**
 - Can operate as a bridge from the PCI bus or a configuration bus
 - Can arbitrate for the bus when in bridge mode 8 or 16 bits wide
 - Supports a 1MB address space when in bridge mode
 - Supports Intel and Motorola bus timing
- JTAG Test Access
- 3.3V low-power CMOS with 5V tolerant I/Os
- 272-pin plastic BGA package (27mm x 27mm)

Governing Specifications

The DS3131 fully meets the following specifications:

- ANSI (American National Standards Institute) T1.403-1995 Network-to-Customer Installation DS1 Metallic Interface March 21, 1995
- PCI Local Bus Specification V2.1 June 1, 1995
- ITU Q.921 March 1993
- ISO Standard 3309-1979 Data Communications–HDLC Procedures–Frame Structure

Table 1-A. Data Sheet Definitions

The following terms are used throughout this data sheet.

Note: The DS3131's ports are numbered 0 to 39; the HDLC channels are numbered 1 to 40. HDLC Channel 1 is always associated with Port 0, HDLC Channel 2 with Port 1, and so on.

TERM	DEFINITION
BERT	Bit Error-Rate Tester
Descriptor	A message passed back and forth between the DMA and the host
Dword	Double word; a 32-bit data entity
DMA	Direct Memory Access
FIFO	First In, First Out. A temporary memory storage scheme.
HDLC	High-Level Data-Link Control
Host	The main controller that resides on the PCI Bus
n/a	Not assigned

2. DETAILED DESCRIPTION

The DS3131 BoSS HDLC controller is based on Dallas Semiconductor's DS3134 CHATEAU HDLC controller. Both devices share the same DMA and FIFO structure as well as the same signal locations for the local bus and the PCI bus. The primary difference between the two devices is in the Layer 1 functionality. The CHATEAU supports channelized T1/E1 whereas the BoSS does not. Therefore, the Layer 1 functions in the CHATEAU that support channelized interfaces do not exist in the BoSS.

[Figure 2-1](#) shows the major blocks of the device. The DS3131 can be operated in two configurations depending on whether the local bus is enabled or not ([Figure 2-2](#)).

The Layer 1 block handles the physical input and output of serial data to and from the DS3131. The DS3131 is capable of operating in a number of modes and can be used in many applications requiring high-density and high-speed HDLC termination. Section [15](#) details a few common applications for the DS3131. The Layer 1 block prepares the incoming data for the HDLC block and grooms data from the HDLC block for transmission. The Layer 1 block interfaces directly to the BERT block. The BERT block can generate and detect both pseudorandom and repeating bit patterns and is used to test and stress data communication links. The BERT block is a global chip resource that can be assigned to any one of the 40 bit-synchronous ports.

The DS3131 BoSS is composed of 40 bit-synchronous HDLC controllers (one for each port) that are each capable of operating at speeds up to 52Mbps. The bit-synchronous HDLC controllers also have serial interfaces. The HDLC controllers perform all of the Layer 2 processing, which includes zero stuffing and destuffing, flag generation and detection, CRC generation and checking, and abort generation and checking.

In the receive path, the following process occurs. The HDLC controllers collect the incoming data and then signal the FIFO that the controller has data to transfer. The 40 ports are priority decoded (Port 0 gets the highest priority) for the data transfer from the HDLC controllers to the FIFO block. There is no priority of transfer between the HDLC controllers and the FIFO because the DS3131 handles up to 132Mbps in both the receive and the transmit directions without any potential data loss because of priority conflicts.

The FIFO transfers data from the HDLC engines into the FIFO and checks to see if the FIFO has filled to beyond the programmable high watermark. If it has, the FIFO signals to the DMA that data is ready to be burst read from the FIFO to the PCI bus. The FIFO block controls the DMA block and it tells the DMA when to transfer data from the FIFO to the PCI bus. Since the DS3131 can handle multiple HDLC channels, it is possible that at any one time, several HDLC channels may need to have data transferred from the FIFO to the PCI bus. The FIFO determines which HDLC channel the DMA handles next through a host configurable algorithm, which allows the selection to be either round robin or priority, decoded (with HDLC channel 1 getting the highest priority). Depending on the application, the selection of this algorithm can be quite important. The DS3131 cannot control when it is granted PCI bus access and, if bus access is restricted, then the host may wish to prioritize which HDLC channels get top priority access to the PCI bus when it is granted to the DS3131.

When the DMA transfers data from the FIFO to the PCI bus, it burst reads all available data in the FIFO (even if the FIFO contains multiple HDLC packets) and tries to empty the FIFO. If an incoming HDLC packet is not large enough to fill the FIFO to the high watermark, then the FIFO does not wait for more data to enter. It signals the DMA that an end-of-frame (EOF) was detected and that data is ready to be transferred from the FIFO to the PCI bus.

In the transmit path, a very similar process occurs. As soon as an HDLC channel is enabled, the HDLC (Layer 2) engines begin requesting data from the FIFO. Like the receive side, the 40 ports are priority decoded with port 0 (HDLC channel #1) getting the highest priority. Therefore, if multiple ports are requesting packet data, the FIFO first satisfies the requirements on all the enabled HDLC channels in the lower numbered ports before moving to the higher numbered ports. Again, there is no potential data loss as long as the transmit throughput maximum of 132Mbps is not exceeded. When the FIFO detects that an HDLC engine needs data, it then transfers the data from the FIFO to the HDLC engines. If the FIFO detects it is below the low watermark, it checks with the DMA to see if there is any data available for that HDLC channel. The DMA knows if any data is available because the host on the PCI bus has informed it of such through the pending-queue descriptor. When the DMA detects that data is available, it informs the FIFO, which then decides which HDLC channel gets the highest priority to the DMA to transfer data from the PCI bus into the FIFO. Again, since the DS3131 can handle multiple HDLC channels, it is possible that at any one time, several HDLC channels may need the DMA to burst data from the PCI bus into the FIFO. The FIFO determines which HDLC channel the DMA handles next through a host-configurable algorithm, which allows the selection to be either round robin or priority decoded (with HDLC channel 1 getting the highest priority).

When the DMA begins burst-writing data into the FIFO, it tries to completely fill the FIFO with HDLC packet data even if it that means writing multiple packets. Once the FIFO detects that the DMA has filled it to beyond the low watermark (or an EOF is reached), the FIFO begins transferring data to the HDLC controller.

One of the DS3131's unique attributes is the DMA's structure. The DMA maintains maximum flexibility, yet reduces the number of bus cycles required to transfer packet data. The DMA uses a flexible scatter/gather technique, which allows that packet data to be placed anywhere within the 32-bit address space. The user has the option on the receive side of two different buffer sizes, which are called "large" and "small" but that can be set to any size up to 8191 Bytes. The user can choose to store the incoming data in the large buffers, in the small buffers, or in the small buffers first, filling the large buffers as needed. The varying buffer storage options allow the user to make the best use of available memory and balance the trade-off between latency and bus utilization.

The DMA uses a set of descriptors to know where to store the incoming HDLC packet data and where to obtain HDLC packet data ready to be transmitted. The descriptors are fixed-size messages that are handed back and forth from the DMA to the host. Since this descriptor transfer uses bus cycles, the DMA has been structured to minimize the number of transfers required. For example, on the receive side, the DMA obtains descriptors from the host to know where in the 32-bit address space to place the incoming packet data. These descriptors are known as free-queue descriptors. When the DMA reads these descriptors off the PCI bus, they provide all the information the DMA needs to store the incoming data. Unlike other existing scatter/gather DMA architectures, the DS3131 DMA does not need additional bus cycles to determine where to place the data. Other DMA architectures tend to use pointers, which require them to go back onto the bus to obtain more information and hence use more bus cycles.

Another technique the DMA uses to maximize bus utilization is burst reading and writing the descriptors. The BoSS can be enabled to read and write the descriptors in bursts of 8 or 16 instead of one at a time. Since there is fixed overhead associated with each bus transaction, the ability to burst read and write descriptors allows the device to share the bus overhead among 8 or 16 descriptor transactions, reducing the total number of bus cycles needed.

The DMA can also burst up to 256 dwords (1024 Bytes) onto the PCI bus. This helps minimize bus cycles by allowing the device to burst large amounts of data in a smaller number of bus transactions. This reduces bus cycles by reducing the amount of fixed overhead placed on the bus.

When the local bus is enabled, ports 28 to 39 (HDLC channels 29 to 40) are disabled to make room for the signals needed by the local bus. The local bus block has two modes of operation. It can be used as a bridge from the PCI bus, in which case it is a bus master. It can also be used as a configuration bus, in which case it is a bus slave. The bridge mode allows the host on the PCI bus to access the local bus. The DS3131 maps data from the PCI bus to the local bus. In the configuration mode, the local bus is used only to control and monitor the DS3131, while the HDLC packet data is still transferred to the host through the PCI bus.

Figure 2-1. Block Diagram

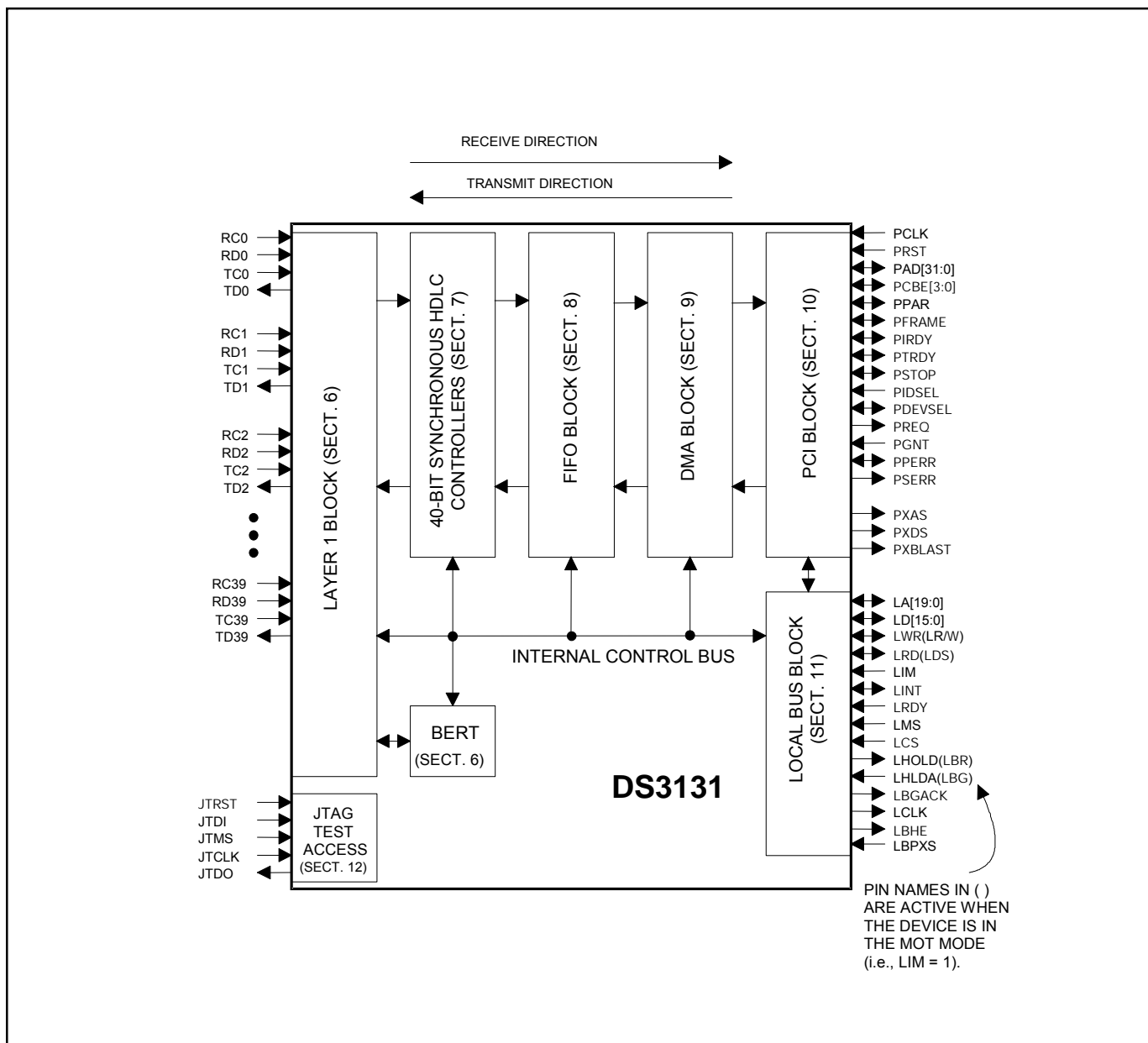
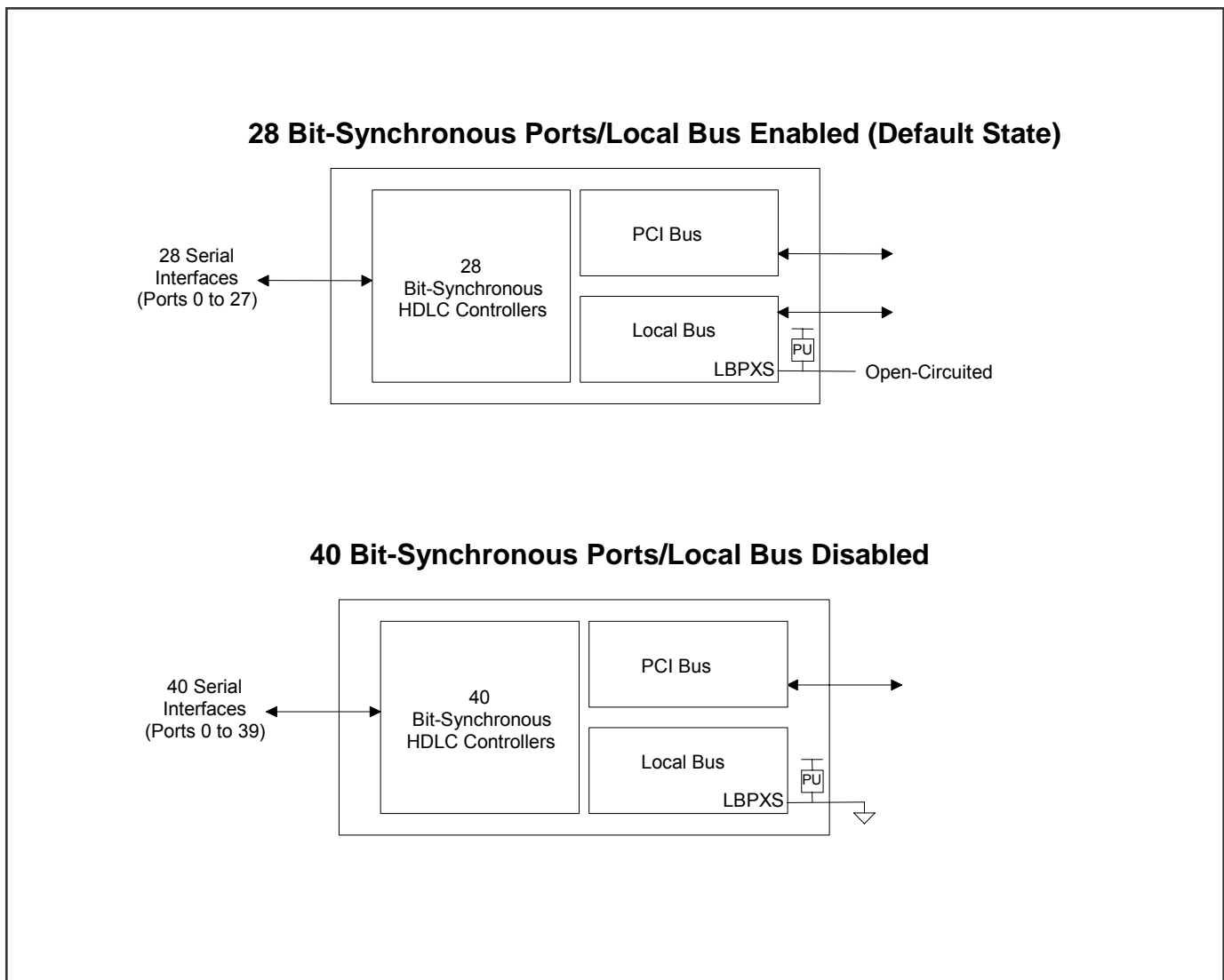


Figure 2-2. Configuration Options

Restrictions

In creating the overall system architecture, the user must balance the port, throughput, and HDLC channel restrictions of the DS3131. [Table 2-A](#) lists all of the upper-bound maximum restrictions.

Table 2-A. Restrictions

ITEM	RESTRICTION
Port	Maximum of 40 physical ports Maximum data rate of 52Mbps
Throughput	Maximum receive: 132Mbps (Refer to <i>Application Note 358: DS3134 PCI Bus Utilization.</i>) Maximum transmit: 132Mbps
HDLC	Maximum of 40 channels

Internal Device Configuration Registers

All internal device configuration registers (with the exception of the PCI configuration registers, which are 32-bit registers) are 16 bits wide and are not byte addressable. When the host on the PCI bus accesses these registers, the particular combination of byte enables (i.e., PCBE signals) is not important, but at least one of the byte enables must be asserted for a transaction to occur. All registers are read/write, unless otherwise noted. Reserved bits should not be modified to allow for future upgrades to the device. These bits should be treated as having no meaning and could be either 0 or 1 when read.

Initialization

On a system reset (which can be invoked by either hardware action through the PRST signal or software action through the RST control bit in the master reset and ID register), all of the internal device configuration registers are set to 0 (0000h). The local bus bridge mode control register (LBBMC) is not affected by a software-invoked system reset; it is forced to all zeros only by a hardware reset. The internal registers that are accessed indirectly (these are listed as “indirect registers” in the data sheet and consist of the port DS0 configuration registers in the Layer 1 block, the DMA configuration RAMs, and the FIFO registers) are not affected by a system reset, so they must be configured on power-up by the host to a proper state.

By design, the DS3131 BoSS does not take control of the PCI bus upon power-up. All physical ports start up by sending all ones (not the HDLC idle code), so the BoSS is idle upon power-up. Please note, however, that the BoSS uses internal RAM to periodically store and retrieve the states of the internal state machines. Because there are many such complex state machines and interworking functional blocks inside the BoSS, all internal registers must be initialized to a known state before any data packets can be transmitted and received.

[Table 2-B](#) lists the steps required to initialize the DS3131. It is imperative that they are followed exactly in the order presented, or exactly as implemented in Dallas Semiconductor DS3131 driver code.

Table 2-B. Initialization Steps

INITIALIZATION STEP	COMMENTS
1) System Reset	System reset can be invoked by either hardware action through the PRST signal (recommended) or software action through the RST control bit in the master reset and ID register. All configuration registers are set to 0 (0000h) by system reset.
2) Configure LBBMC Register	Please note that this register is not affected by the software-invoked system reset. It is forced to all zeros only by the hardware reset.
3) Configure PCI	This is achieved by asserting the PIDSEL signal.
4) Disable Transmit and Receive DMA for each Channel	Ensure the DMA is off on both the transmit and receive sides through the channel-enable bit in the transmit and receive RAM.
5) Configure Receive DMA	Program the receive DMA configuration RAM.
6) Configure Receive FIFO	Program the receive FIFO registers.
7) Configure Receive Layer 1	Program the receive port registers (RP[n]CR).
8) Configure Transmit DMA	Program the transmit DMA configuration RAM.
9) Configure Transmit FIFO	Program the transmit FIFO registers.
10) Configure Transmit Layer 2	Program the transmit HDLC port control registers (TH[n]CR).
11) Configure Transmit Layer 1	Program the transmit port registers (TP[n]CR).
12) Configure Receive Layer 2	Program the receive HDLC port control registers (RH[n]CR).
13) Enable Receive DMA for Each Channel	Set the channel-enable bit in the receive DMA configuration RAM for the channels in use.
14) Enable Transmit DMA for Each Channel	Set the channel-enable bit in the transmit DMA configuration RAM for the channels in use.
15) Configure Interrupts	Optional,
16) Configure Master Control Register	Set the RDE and TDE control bits in the master configuration (MC) register.

Table 2-C. Indirect Registers

REGISTER	NAME	NUMBER OF INDIRECT REGISTERS
Receive DMA Configuration	RDMAC	120 (three for each HDLC Channel) ¹
Transmit DMA Configuration	TDMAC	240 (six for each HDLC Channel) ¹
Receive FIFO Starting Block Pointer	RFSBP	40 (one for each HDLC Channel)
Receive FIFO Block Pointer	RFBP	512 (one for each FIFO Block)
Receive FIFO High Watermark	RFHWM	40 (one for each HDLC Channel)
Transmit FIFO Starting Block Pointer	TFSBP	40 (one for each HDLC Channel)
Transmit FIFO Block Pointer	TFBP	512 (one for each FIFO Block)
Transmit FIFO Low Watermark	TFLWM	40 (one for each HDLC Channel)

¹ On device initialization, the host needs only to write to one of the receive and one of the transmit DMA registers. See Sections [9.2.5](#) and [9.3.5](#) for details.

3. SIGNAL DESCRIPTION

3.1 Overview/Signal List

This section describes the input and output signals on the DS3131. Signal names follow a convention that is shown in the *Signal Naming Convention* table below. [Table 3-A](#) lists all of the signals, their signal type, description, and pin location.

Signal Naming Convention

FIRST LETTER	SIGNAL CATEGORY	SECTION
R	Receive Serial Port	3.2
T	Transmit Serial Port	3.2
L	Local Bus	3.3
J	JTAG Test Port	3.4
P	PCI Bus	3.5

LXXX–T/RXXX: Multiplexed local bus with extended ports controlled by LBPXS.

Table 3-A. Signal Description

PIN	NAME	TYPE	FUNCTION
W20	TC0	I	Transmit Serial Clock for Port 0
U19	TC1	I	Transmit Serial Clock for Port 1
T17	TC2	I	Transmit Serial Clock for Port 2
U20	TC3	I	Transmit Serial Clock for Port 3
T19	TC4	I	Transmit Serial Clock for Port 4
R18	TC5	I	Transmit Serial Clock for Port 5
R19	TC6	I	Transmit Serial Clock for Port 6
P18	TC7	I	Transmit Serial Clock for Port 7
P20	TC8	I	Transmit Serial Clock for Port 8
N19	TC9	I	Transmit Serial Clock for Port 9
M17	TC10	I	Transmit Serial Clock for Port 10
M19	TC11	I	Transmit Serial Clock for Port 11
L19	TC12	I	Transmit Serial Clock for Port 12
L20	TC13	I	Transmit Serial Clock for Port 13
K19	TC14	I	Transmit Serial Clock for Port 14
J20	TC15	I	Transmit Serial Clock for Port 15
J18	TC16	I	Transmit Serial Clock for Port 16
H19	TC17	I	Transmit Serial Clock for Port 17
G20	TC18	I	Transmit Serial Clock for Port 18
F20	TC19	I	Transmit Serial Clock for Port 19
F19	TC20	I	Transmit Serial Clock for Port 20
G17	TC21	I	Transmit Serial Clock for Port 21
E19	TC22	I	Transmit Serial Clock for Port 22
E18	TC23	I	Transmit Serial Clock for Port 23
C20	TC24	I	Transmit Serial Clock for Port 24
D18	TC25	I	Transmit Serial Clock for Port 25
B20	TC26	I	Transmit Serial Clock for Port 26
B19	TC27	I	Transmit Serial Clock for Port 27
V19	TD0	O	Transmit Serial Data for Port 0
U18	TD1	O	Transmit Serial Data for Port 1
V20	TD2	O	Transmit Serial Data for Port 2

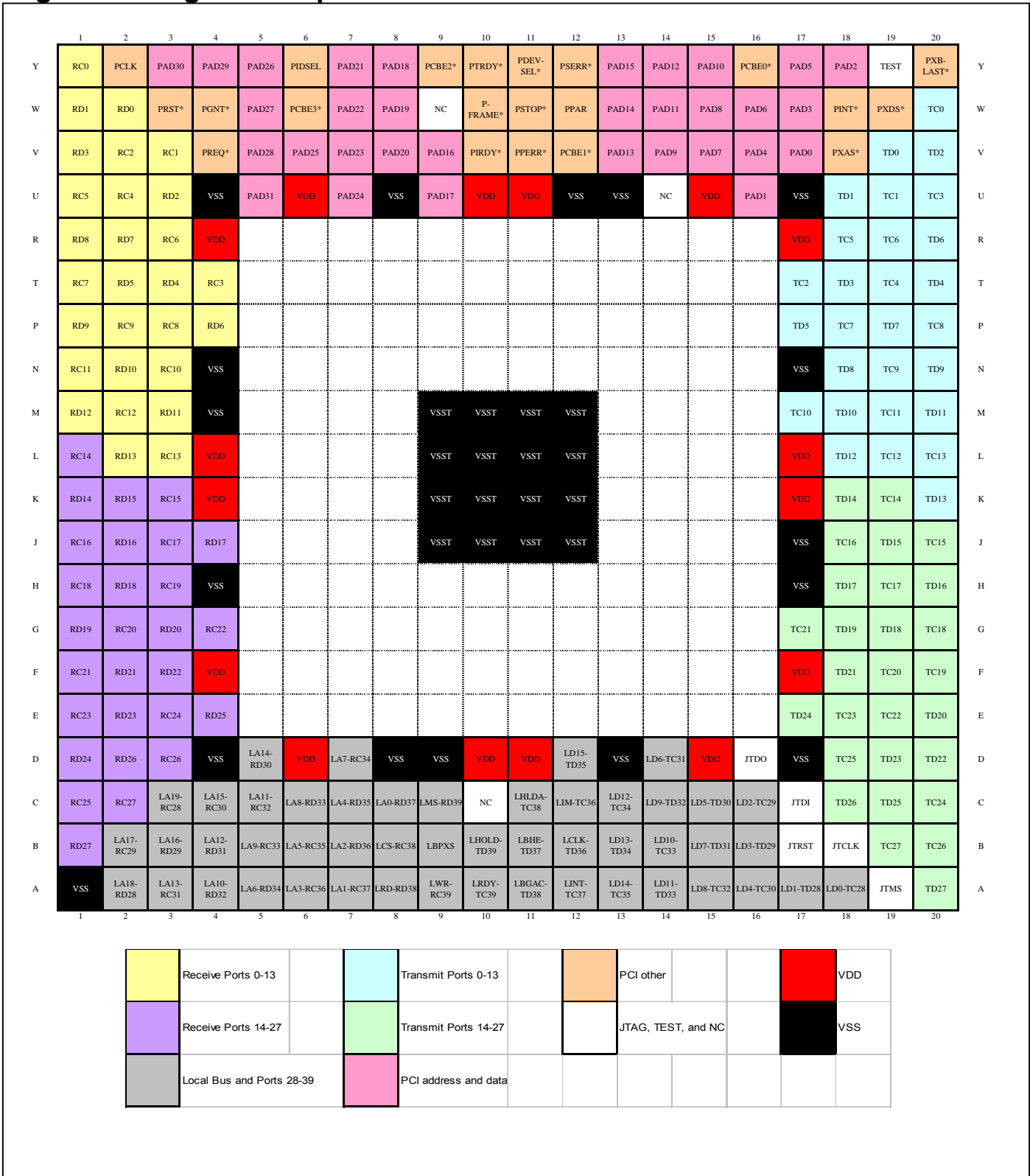
PIN	NAME	TYPE	FUNCTION
T18	TD3	O	Transmit Serial Data for Port 3
T20	TD4	O	Transmit Serial Data for Port 4
P17	TD5	O	Transmit Serial Data for Port 5
R20	TD6	O	Transmit Serial Data for Port 6
P19	TD7	O	Transmit Serial Data for Port 7
N18	TD8	O	Transmit Serial Data for Port 8
N20	TD9	O	Transmit Serial Data for Port 9
M18	TD10	O	Transmit Serial Data for Port 10
M20	TD11	O	Transmit Serial Data for Port 11
L18	TD12	O	Transmit Serial Data for Port 12
K20	TD13	O	Transmit Serial Data for Port 13
K18	TD14	O	Transmit Serial Data for Port 14
J19	TD15	O	Transmit Serial Data for Port 15
H20	TD16	O	Transmit Serial Data for Port 16
H18	TD17	O	Transmit Serial Data for Port 17
G19	TD18	O	Transmit Serial Data for Port 18
G18	TD19	O	Transmit Serial Data for Port 19
E20	TD20	O	Transmit Serial Data for Port 20
F18	TD21	O	Transmit Serial Data for Port 21
D20	TD22	O	Transmit Serial Data for Port 22
D19	TD23	O	Transmit Serial Data for Port 23
E17	TD24	O	Transmit Serial Data for Port 24
C19	TD25	O	Transmit Serial Data for Port 25
C18	TD26	O	Transmit Serial Data for Port 26
A20	TD27	O	Transmit Serial Data for Port 27
W9, U14, C10	N.C.	—	No Connect. Do not connect any signal to this pin.
V17	PAD0	I/O	PCI Multiplexed Address and Data Bit 0
U16	PAD1	I/O	PCI Multiplexed Address and Data Bit 1
Y18	PAD2	I/O	PCI Multiplexed Address and Data Bit 2
W17	PAD3	I/O	PCI Multiplexed Address and Data Bit 3
V16	PAD4	I/O	PCI Multiplexed Address and Data Bit 4
Y17	PAD5	I/O	PCI Multiplexed Address and Data Bit 5
W16	PAD6	I/O	PCI Multiplexed Address and Data Bit 6
V15	PAD7	I/O	PCI Multiplexed Address and Data Bit 7
W15	PAD8	I/O	PCI Multiplexed Address and Data Bit 8
V14	PAD9	I/O	PCI Multiplexed Address and Data Bit 9
Y15	PAD10	I/O	PCI Multiplexed Address and Data Bit 10
W14	PAD11	I/O	PCI Multiplexed Address and Data Bit 11
Y14	PAD12	I/O	PCI Multiplexed Address and Data Bit 12
V13	PAD13	I/O	PCI Multiplexed Address and Data Bit 13
W13	PAD14	I/O	PCI Multiplexed Address and Data Bit 14
Y13	PAD15	I/O	PCI Multiplexed Address and Data Bit 15
V9	PAD16	I/O	PCI Multiplexed Address and Data Bit 16
U9	PAD17	I/O	PCI Multiplexed Address and Data Bit 17
Y8	PAD18	I/O	PCI Multiplexed Address and Data Bit 18
W8	PAD19	I/O	PCI Multiplexed Address and Data Bit 19
V8	PAD20	I/O	PCI Multiplexed Address and Data Bit 20
Y7	PAD21	I/O	PCI Multiplexed Address and Data Bit 21
W7	PAD22	I/O	PCI Multiplexed Address and Data Bit 22
V7	PAD23	I/O	PCI Multiplexed Address and Data Bit 23
U7	PAD24	I/O	PCI Multiplexed Address and Data Bit 24
V6	PAD25	I/O	PCI Multiplexed Address and Data Bit 25

PIN	NAME	TYPE	FUNCTION
Y5	PAD26	I/O	PCI Multiplexed Address and Data Bit 26
W5	PAD27	I/O	PCI Multiplexed Address and Data Bit 27
V5	PAD28	I/O	PCI Multiplexed Address and Data Bit 28
Y4	PAD29	I/O	PCI Multiplexed Address and Data Bit 29
Y3	PAD30	I/O	PCI Multiplexed Address and Data Bit 30
U5	PAD31	I/O	PCI Multiplexed Address and Data Bit 31
Y16	PCBE0	I/O	PCI Bus Command/Byte Enable Bit 0
V12	PCBE1	I/O	PCI Bus Command/Byte Enable Bit 1
Y9	PCBE2	I/O	PCI Bus Command/Byte Enable Bit 2
W6	PCBE3	I/O	PCI Bus Command/Byte Enable Bit 3
Y2	PCLK	I	PCI and System Clock. A 33MHz clock is applied here.
Y11	PDEVSEL	I/O	PCI Device Select
W10	PFRAME	I/O	PCI Cycle Frame
W4	PGNT	I	PCI Bus Grant
Y6	PIDSEL	I	PCI Initialization Device Select
W18	PINT	O	PCI Interrupt
V10	PIRDY	I/O	PCI Initiator Ready
W12	PPAR	I/O	PCI Bus Parity
V11	PPER	I/O	PCI Parity Error
V4	PREQ	O	PCI Bus Request
W3	PRST	I	PCI Reset
Y12	PSERR	O	PCI System Error
W11	PSTOP	I/O	PCI Stop
Y10	PTRDY	I/O	PCI Target Ready
V18	PXAS	O	PCI Extension Signal: Address Strobe
Y20	PXBLAST	O	PCI Extension Signal: Burst Last
W19	PXDS	O	PCI Extension Signal: Data Strobe
Y1	RC0	I	Receive Serial Clock for Port 0
V3	RC1	I	Receive Serial Clock for Port 1
V2	RC2	I	Receive Serial Clock for Port 2
T4	RC3	I	Receive Serial Clock for Port 3
U2	RC4	I	Receive Serial Clock for Port 4
U1	RC5	I	Receive Serial Clock for Port 5
R3	RC6	I	Receive Serial Clock for Port 6
T1	RC7	I	Receive Serial Clock for Port 7
P3	RC8	I	Receive Serial Clock for Port 8
P2	RC9	I	Receive Serial Clock for Port 9
N3	RC10	I	Receive Serial Clock for Port 10
N1	RC11	I	Receive Serial Clock for Port 11
M2	RC12	I	Receive Serial Clock for Port 12
L3	RC13	I	Receive Serial Clock for Port 13
L1	RC14	I	Receive Serial Clock for Port 14
K3	RC15	I	Receive Serial Clock for Port 15
J1	RC16	I	Receive Serial Clock for Port 16
J3	RC17	I	Receive Serial Clock for Port 17
H1	RC18	I	Receive Serial Clock for Port 18
H3	RC19	I	Receive Serial Clock for Port 19
G2	RC20	I	Receive Serial Clock for Port 20
F1	RC21	I	Receive Serial Clock for Port 21
G4	RC22	I	Receive Serial Clock for Port 22
E1	RC23	I	Receive Serial Clock for Port 23
E3	RC24	I	Receive Serial Clock for Port 24

PIN	NAME	TYPE	FUNCTION
C1	RC25	I	Receive Serial Clock for Port 25
D3	RC26	I	Receive Serial Clock for Port 26
C2	RC27	I	Receive Serial Clock for Port 27
W2	RD0	I	Receive Serial Data for Port 0
W1	RD1	I	Receive Serial Data for Port 1
U3	RD2	I	Receive Serial Data for Port 2
V1	RD3	I	Receive Serial Data for Port 3
T3	RD4	I	Receive Serial Data for Port 4
T2	RD5	I	Receive Serial Data for Port 5
P4	RD6	I	Receive Serial Data for Port 6
R2	RD7	I	Receive Serial Data for Port 7
R1	RD8	I	Receive Serial Data for Port 8
P1	RD9	I	Receive Serial Data for Port 9
N2	RD10	I	Receive Serial Data for Port 10
M3	RD11	I	Receive Serial Data for Port 11
M1	RD12	I	Receive Serial Data for Port 12
L2	RD13	I	Receive Serial Data for Port 13
K1	RD14	I	Receive Serial Data for Port 14
K2	RD15	I	Receive Serial Data for Port 15
J2	RD16	I	Receive Serial Data for Port 16
J4	RD17	I	Receive Serial Data for Port 17
H2	RD18	I	Receive Serial Data for Port 18
G1	RD19	I	Receive Serial Data for Port 19
G3	RD20	I	Receive Serial Data for Port 20
F2	RD21	I	Receive Serial Data for Port 21
F3	RD22	I	Receive Serial Data for Port 22
E2	RD23	I	Receive Serial Data for Port 23
D1	RD24	I	Receive Serial Data for Port 24
E4	RD25	I	Receive Serial Data for Port 25
D2	RD26	I	Receive Serial Data for Port 26
B1	RD27	I	Receive Serial Data for Port 27
A19	JTMS	I	JTAG IEEE 1149.1 Test Mode Select
D16	JTDO	O	JTAG IEEE 1149.1 Test Serial-Data Output
B18	JTCLK	I	JTAG IEEE 1149.1 Test Serial Clock
B17	JTRST	I	JTAG IEEE 1149.1 Test Reset
C17	JTDI	I	JTAG IEEE 1149.1 Test Serial-Data Input
C8	LA0–RD37	I/O–I	Local Bus Address Bit 0–Receive Serial Data for Port 37
A7	LA1–RC37	I/O–I	Local Bus Address Bit 1–Receive Serial Clock for Port 37
B7	LA2–RD36	I/O–I	Local Bus Address Bit 2–Receive Serial Data for Port 36
A6	LA3–RC36	I/O–I	Local Bus Address Bit 3–Receive Serial Clock for Port 36
C7	LA4–RD35	I/O–I	Local Bus Address Bit 4–Receive Serial Data for Port 35
B6	LA5–RC35	I/O–I	Local Bus Address Bit 5–Receive Serial Clock for Port 35
A5	LA6–RD34	I/O–I	Local Bus Address Bit 6–Receive Serial Data for Port 34
D7	LA7–RC34	I/O–I	Local Bus Address Bit 7–Receive Serial Clock for Port 34
C6	LA8–RD33	I/O–I	Local Bus Address Bit 8–Receive Serial Data for Port 33
B5	LA9–RC33	I/O–I	Local Bus Address Bit 9–Receive Serial Clock for Port 33
A4	LA10–RD32	I/O–I	Local Bus Address Bit 10–Receive Serial Data for Port 32
C5	LA11–RC32	I/O–I	Local Bus Address Bit 11–Receive Serial Clock for Port 32
B4	LA12–RD31	I/O–I	Local Bus Address Bit 12–Receive Serial Data for Port 31
A3	LA13–RC31	I/O–I	Local Bus Address Bit 13–Receive Serial Clock for Port 31
D5	LA14–RD30	I/O–I	Local Bus Address Bit 14–Receive Serial Data for Port 30
C4	LA15–RC30	I/O–I	Local Bus Address Bit 15–Receive Serial Clock for Port 30

PIN	NAME	TYPE	FUNCTION
B3	LA16–RD29	I/O–I	Local Bus Address Bit 16–Receive Serial Data for Port 29
B2	LA17–RC29	I/O–I	Local Bus Address Bit 17–Receive Serial Clock for Port 29
A2	LA18–RD28	I/O–I	Local Bus Address Bit 18–Receive Serial Data for Port 28
C3	LA19–RC28	I/O–I	Local Bus Address Bit 19–Receive Serial Clock for Port 28
A18	LD0–TC28	I/O–I	Local Bus Data Bit 0–Transmit Serial Clock for Port 28
A17	LD1–TD28	I/O–O	Local Bus Data Bit 1–Transmit Serial Data for Port 28
C16	LD2–TC29	I/O–I	Local bus Data Bit 2–Transmit Serial Clock for Port 29
B16	LD3–TD29	I/O–O	Local Bus Data Bit 3–Transmit Serial Data for Port 29
A16	LD4–TC30	I/O–I	Local Bus Data Bit 4–Transmit Serial Clock for Port 30
C15	LD5–TD30	I/O–O	Local Bus Data Bit 5–Transmit Serial Data for Port 30
D14	LD6–TC31	I/O–I	Local Bus Data Bit 6–Transmit Serial Clock for Port 31
B15	LD7–TD31	I/O–O	Local Bus Data Bit 7–Transmit Serial Data for Port 31
A15	LD8–TC32	I/O–I	Local Bus Data Bit 8–Transmit Serial Clock for Port 32
C14	LD9–TD32	I/O–O	Local Bus Data Bit 9–Transmit Serial Data for Port 32
B14	LD10–TC33	I/O–I	Local Bus Data Bit 10–Transmit Serial Clock for Port 33
A14	LD11–TD33	I/O–O	Local Bus Data Bit 11–Transmit Serial Data for Port 33
C13	LD12–TC34	I/O–I	Local Bus Data Bit 12–Transmit Serial Clock for Port 34
B13	LD13–TD34	I/O–O	Local Bus Data Bit 13–Transmit Serial Data for Port 34
A13	LD14–TC35	I/O–I	Local Bus Data Bit 14–Transmit Serial Clock for Port 35
D12	LD15–TD35	I/O–O	Local Bus Data Bit 15–Transmit Serial Data for Port 35
C9	LMS–RD39	I–I	Local Bus Mode Select–Receive Serial Data for Port 39
B11	LBHE–TD37	O–O	Local Bus Byte High Enable–Transmit Serial Data for Port 37
B10	LHOLD–TD39	O–O	Local Bus Hold (Local Bus Request)–Transmit Serial Data for Port 39
A9	LWR–RC39	I/O–I	Local Bus Write Enable (Local Bus Read/Write Select)–Receive Serial Clock for Port 39
C12	LIM–TC36	I–I	Local Bus Intel/Motorola Bus Select–Transmit Serial Clock for Port 36
C11	LHLDA–TC38	I–I	Local Bus Hold Acknowledge (Local Bus Grant)–Transmit Serial Clock for Port 38
B12	LCLK–TD36	O–O	Local Bus Clock–Transmit Serial Data for Port 36
A11	LBGACK–TD38	O–O	Local Buses Grant Acknowledge–Transmit Serial Data for Port 38
A8	LRD–RD38	I/O–I	Local Bus Read Enable (Local Bus Data Strobe)–Receive Serial Data for Port 38
A12	LINT–TC37	I/O–I	Local Bus Interrupt–Transmit Serial Clock for Port 37
A10	LRDY–TC39	I–I	Local Bus PCI Bridge Ready–Transmit Serial Clock for Port 39
B9	LBPXS	I	Local Bus Port Extension Select. Leave open to enable local bus.
B8	LCS–RC38	I–I	Local Bus Chip Select–Receive Serial Data for Port 38
Y19	TEST	I	Test. Factory test signals; leave open-circuited.
D6, D10, D11, D15, F4, F17, K4, K17, L4, L17, R4, R17, U6, U10, U11, U15	VDD	—	Positive Supply, 3.3V (±10%)
A1, D4, D8, D9, D13, D17, H4, H17, J17, M4, N4, N17, U4, U8, U12, U13, U17	VSS	—	Ground
J9–J12, K9– K12, L9–L12, M9–12	VSST	—	Ground and Thermal Dissipation Ball

Figure 3-1. Signal Floorplan



3.2 Serial Port Interface Signal Description

Signal Name: **RC0 to RC39**
 Signal Description: **Receive Serial Clock**
 Signal Type: **Input**

Data can be clocked into the device either on rising edges (normal clock mode) or falling edges (inverted clock mode) of RC. This is programmable on a per port basis. RC can operate at speeds from DC to 52MHz. Clock gapping is acceptable. If not used, this signal should be wired low.

Signal Name: **RD0 to RD39**
 Signal Description: **Receive Serial Data**
 Signal Type: **Input**

Can be sampled either on the rising edge of RC (normal clock mode) or the falling edge of RC (inverted clock mode). If not used, this signal should be wired low.

Signal Name: **TC0 to TC39**
 Signal Description: **Transmit Serial Clock**
 Signal Type: **Input**

Data is clocked out of the device at TD either on rising edges (normal clock mode) or falling edges (inverted clock mode) of TC. This is programmable on a per port basis. TC can operate at speeds from DC to 52MHz. Clock gapping is acceptable. If not used, this signal should be wired low.

Signal Name: **TD0 to TD39**
 Signal Description: **Transmit Serial Data**
 Signal Type: **Output**

Can be updated either on the rising edge of TC (normal clock mode) or the falling edge of TC (inverted clock mode). TD can be forced either high or low by the TP[n]CR register. See Section [6.1](#) for details.

3.3 Local Bus Signal Description

Note: The signals listed in this section are only active when the local bus is enabled.

Signal Name: **LMS**
 Signal Description: **Local Bus Mode Select**
 Signal Type: **Input**

This signal should be connected low when the device operates with no local bus access or if the local bus is used as a bridge from the PCI bus. This signal should be connected high if the local bus is to be used by an external host to configure the device.

- 0 = local bus is in the PCI bridge mode (master)
- 1 = local bus is in the configuration mode (slave)

Signal Name: **LIM**
 Signal Description: **Local Bus Intel/Motorola Bus Select**
 Signal Type: **Input**

The signal determines whether the local bus operates in the Intel mode (LIM = 0) or the Motorola mode (LIM = 1). The signal names in parenthesis are operational when the device is in the Motorola mode.

- 0 = local bus is in the Intel mode
- 1 = local bus is in the Motorola mode

Signal Name: **LBPXS**
 Signal Description: **Local Bus or Port Extension Select**
 Signal Type: **Input (with internal 10kΩ pullup)**

This signal must be left open-circuited (or connected high) to activate and enable the local bus. When this signal is connected low, the local bus is disabled and its signals are redefined to support 12 bit-synchronous HDLC controllers on ports 28 to 39 ([Table 3-A](#)).

0 = local bus disabled

1 (or open -ircuited) = local bus enabled

Signal Name: **LD0 to LD15**
 Signal Description: **Local Bus Nonmultiplexed Data Bus**
 Signal Type: **Input/Output (three-state capable)**

In PCI bridge mode ($LMS = 0$), data from/to the PCI bus can be transferred to/from these signals. When writing data to the local bus, these signals are outputs and updated on the rising edge of LCLK. When reading data from the local bus, these signals are inputs, which are sampled on the rising edge of LCLK. Depending on the assertion of the PCI byte enables (PCBE0 to PCBE3) and the local bus-width (LBW) control bit in the local bus bridge mode control register (LBBMC), this data bus uses all 16 bits (LD[15:0]) or just the lower 8 bits (LD[7:0]) or the upper 8 bits (LD[15:8]). If the upper LD bits (LD[15:8]) are used, then the local bus high-enable signal (LBHE) is asserted during the bus transaction. If the local bus is not currently involved in a bus transaction, all 16 signals are three-stated. When reading data from the local bus, these signals are outputs that are updated on the rising edge of LCLK. When writing data to the local bus, these signals become inputs, which are sampled on the rising edge of LCLK. In configuration mode ($LMS = 1$), the external host configures the device and obtains real-time status information about the device through these signals. Only the 16-bit bus width is allowed (i.e., byte addressing is not available).

Signal Name: **LA0 to LA19**
 Signal Description: **Local Bus Nonmultiplexed Address Bus**
 Signal Type: **Input/Output (three-state capable)**

In the PCI bridge mode ($LMS = 0$), these signals are outputs that are asserted on the rising edge of LCLK to indicate which address is written to or read from. If bus arbitration is enabled through the local bus arbitration (LARBE) control bit in the LBBMC register, these signals are three-stated when the local bus is not currently involved in a bus transaction and driven when a bus transaction is active. When bus arbitration is disabled, these signals are always driven. These signals are sampled on the rising edge of LCLK to determine the internal device configuration register that the external host wishes to access. In configuration mode ($LMS = 1$), these signals are inputs and only the bottom 16 bits (LA[15:0]) are active; the upper four (LA[19:16]) are ignored and should be connected low.

Signal Name: **LWR (LR/W)**
 Signal Description: **Local Bus Write Enable (Local Bus Read/Write Select)**
 Signal Type: **Input/Output (three-state capable)**

In the PCI bridge mode ($LMS = 0$), this output signal is asserted on the rising edge of LCLK. In Intel mode ($LIM = 0$), it is asserted when data is to be written to the local bus. In Motorola mode ($LIM = 1$), this signal determines whether a read or write is to occur. If bus arbitration is enabled through the LARBE control bit in the LBBMC register, this signal is three-stated when the local bus is not currently involved in a bus transaction and driven when a bus transaction is active. When bus arbitration is disabled, this signal is always driven. In configuration mode ($LMS = 1$), this signal is sampled on the rising edge of LCLK. In Intel mode ($LIM = 0$), it determines when data is to be written to the device. In Motorola mode ($LIM = 1$), this signal determines whether a read or write is to occur.

Signal Name: **LRD (LDS)**
 Signal Description: **Local Bus Read Enable (Local Bus Data Strobe)**
 Signal Type: **Input/Output (three-state capable)**

In the PCI bridge mode (LMS = 0), this active-low output signal is asserted on the rising edge of LCLK. In Intel mode (LIM = 0), it is asserted when data is to be read from the local bus. In Motorola mode (LIM = 1), the rising edge is used to write data into the slave device. If bus arbitration is enabled through the LARBE control bit in the LBBMC register, this signal is three-stated when the local bus is not currently involved in a bus transaction and driven when a bus transaction is active. When bus arbitration is disabled, this signal is always driven. In configuration mode (LMS = 1), this signal is an active-low input that is sampled on the rising edge of LCLK. In Intel mode (LIM = 0), it determines when data is to be read from the device. In Motorola mode (LIM = 1), the rising edge writes data into the device.

Signal Name: **LINT**
 Signal Description: **Local Bus Interrupt**
 Signal Type: **Input/Output (open drain)**

In the PCI bridge mode (LMS = 0), this active-low signal is an input that is sampled on the rising edge of LCLK. If asserted and unmasked, this signal causes an interrupt at the PCI bus through the PINTA signal. If not used in PCI bridge mode, this signal should be connected high. In configuration mode (LMS = 1), this signal is an open-drain output that is forced low if one or more unmasked interrupt sources within the device is active. The signal remains low until either the interrupt is serviced or masked.

Signal Name: **LRDY**
 Signal Description: **Local Bus PCI Bridge Ready (PCI Bridge Mode Only)**
 Signal Type: **Input**

This active-low signal is sampled on the rising edge of LCLK to determine when a bus transaction is complete. This signal is only examined when a bus transaction is taking place. This signal is ignored when the local bus is in configuration mode (LMS = 1) and should be connected high.

Signal Name: **LHLDA (LBG)**
 Signal Description: **Local Bus Hold Acknowledge (Local Bus Grant) (PCI Bridge Mode Only)**
 Signal Type: **Input**

This input signal is sampled on the rising edge of LCLK to determine when the device has been granted access to the bus. In Intel mode (LIM = 0), this is an active-high signal; in Motorola mode (LIM = 1) this is an active-low signal. This signal is ignored and should be connected high when the local bus is in configuration mode (LMS = 1). Also, in PCI bridge mode (LMS = 0), this signal should be wired deasserted when the local bus arbitration is disabled through the LBBMC register.

Signal Name: **LHOLD (LBR)**
 Signal Description: **Local Bus Hold (Local Bus Request) (PCI Bridge Mode Only)**
 Signal Type: **Output**

This signal is asserted when the DS3131 is attempting to control the local bus. In Intel mode (LIM = 0), this signal is an active-high signal; in Motorola mode (LIM = 1) this signal is an active-low signal. It is deasserted concurrently with LBGACK. This signal is three-stated when the local bus is in configuration mode (LMS = 1) and also in PCI bridge mode (LMS = 0) when the local bus arbitration is disabled through the LBBMC register.

Signal Name: **LBGACK**
 Signal Description: **Local Bus Grant Acknowledge (PCI Bridge Mode Only)**
 Signal Type: **Output (three-state capable)**

This active-low signal is asserted when the local bus hold-acknowledge/bus grant signal (LHLDA/LBG) has been detected and continues its assertion for a programmable (32 to 1,048,576) number of LCLKs, based on the local bus arbitration timer setting in the LBBMC register. This signal is three-stated when the local bus is in configuration mode (LMS = 1).

Signal Name: **LBHE**
 Signal Description: **Local Bus Byte-High Enable (PCI Bridge Mode Only)**
 Signal Type: **Output (three-state capable)**

This active-low output signal is asserted when all 16 bits of the data bus (LD[15:0]) are active. It remains high if only the lower 8 bits (LD[7:0]) are active. If bus arbitration is enabled through the LARBE control bit in the LBBMC register, this signal is three-stated when the local bus is not currently involved in a bus transaction and driven when a bus transaction is active. When bus arbitration is disabled, this signal is always driven. This signal remains in three-state when the local bus is not involved in a bus transaction and is in configuration mode (LMS = 1).

Signal Name: **LCLK**
 Signal Description: **Local Bus Clock (PCI Bridge Mode Only)**
 Signal Type: **Output (three-state capable)**

This signal outputs a buffered version of the clock applied at the PCLK input. All local bus signals are generated and sampled from this clock. This output is three-stated when the local bus is in configuration mode (LMS = 1). It can be disabled in the PCI bridge mode through the LBBMC register.

Signal Name: **LCS**
 Signal Description: **Local Bus Chip Select (Configuration Mode Only)**
 Signal Type: **Input**

This active-low signal must be asserted for the device to accept a read or write command from an external host. This signal is ignored in the PCI bridge mode (LMS = 0) and should be connected high.

3.4 JTAG Signal Description

Signal Name: **JTCLK**
 Signal Description: **JTAG IEEE 1149.1 Test Serial Clock**
 Signal Type: **Input**

This signal is used to shift data into JTDI on the rising edge and out of JTDO on the falling edge. If not used, this signal should be pulled high.

Signal Name: **JTDI**
 Signal Description: **JTAG IEEE 1149.1 Test Serial-Data Input**
 Signal Type: **Input (with internal 10k Ω pullup)**

Test instructions and data are clocked into this signal on the rising edge of JTCLK. If not used, this signal should be pulled high. This signal has an internal pullup.

Signal Name: **JTDO**
 Signal Description: **JTAG IEEE 1149.1 Test Serial-Data Output**
 Signal Type: **Output**

Test instructions are clocked out of this signal on the falling edge of JTCLK. If not used, this signal should be left open circuited.

Signal Name: **JTRST**
 Signal Description: **JTAG IEEE 1149.1 Test Reset**
 Signal Type: **Input (with internal 10k Ω pullup)**

This signal is used to synchronously reset the test access port controller. At power-up, JTRST must be set low and then high. This action sets the device into the boundary scan bypass mode, allowing normal device operation. If boundary scan is not used, this signal should be held low. This signal has an internal pullup.

Signal Name: **JTMS**
 Signal Description: **JTAG IEEE 1149.1 Test Mode Select**
 Signal Type: **Input (with internal 10k Ω pullup)**

This signal is sampled on the rising edge of JTCLK and is used to place the test port into the various defined IEEE 1149.1 states. If not used, this signal should be pulled high. This signal has an internal pullup.

3.5 PCI Bus Signal Description

Signal Name: **PCLK**
 Signal Description: **PCI and System Clock**
 Signal Type: **Input (Schmitt triggered)**

This clock input provides timing for the PCI bus and the device's internal logic. A 33MHz clock with a nominal 50% duty cycle should be applied here.

Signal Name: **PRST**
 Signal Description: **PCI Reset**
 Signal Type: **Input**

This active-low input is used to force an asynchronous reset to both the PCI bus and the device's internal logic. When forced low, this input forces all the internal logic of the device into its default state, forces the PCI outputs into three-state, and forces the TD[39:0] output port-data signals high.

Signal Name: **PAD0 to PAD31**
 Signal Description: **PCI Address and Data Multiplexed Bus**
 Signal Type: **Input/Output (three-state capable)**

Both address and data information are multiplexed onto these signals. Each bus transaction consists of an address phase followed by one or more data phases. Data can be either read or written in bursts. The address is transferred during the first clock cycle of a bus transaction. When the Little Endian format is selected, PAD[31:24] is the MSB of the DWORD; when Big Endian is selected, PAD[7:0] contains the MSB. When the device is an initiator, these signals are always outputs during the address phase. They remain outputs for the data phase(s) in a write transaction and become inputs for a read transaction. When the device is a target, these signals are always inputs during the address phase. They remain inputs for the data phase(s) in a read transaction and become outputs for a write transaction. When the device is not involved in a bus transaction, these signals remain three-stated. These signals are always updated and sampled on the rising edge of PCLK.

Signal Name: **PCBE0/PCBE1/PCBE2/PCBE3**
 Signal Description: **PCI Bus Command and Byte Enable**
 Signal Type: **Input/Output (three-state capable)**

Bus command and byte enables are multiplexed onto the same PCI signals. During an address phase, these signals define the bus command. During the data phase, these signals are used as bus enables. During data phases, PCBE0 refers to the PAD[7:0] and PCBE3 refers to PAD[31:24]. When this signal is high, the associated byte is invalid; when low, the associated byte is valid. When the device is an initiator, this signal is an output and is updated on the rising edge of PCLK. When the device is a target, this signal is an input and is sampled on the rising edge of PCLK. When the device is not involved in a bus transaction, these signals are three-stated.

Signal Name: **PPAR**
 Signal Description: **PCI Bus Parity**
 Signal Type: **Input/Output (three-state capable)**

This signal provides information on even parity across both the PAD address/data bus and the PCBE bus command/byte enable bus. When the device is an initiator, this signal is an output for writes and an input for reads. It is updated on the rising edge of PCLK. When the device is a target, this signal is an input for writes and an output for reads. It is sampled on the rising edge of PCLK. When the device is not involved in a bus transaction, PPAR is three-stated.

Signal Name: **PFRAME**
 Signal Description: **PCI Cycle Frame**
 Signal Type: **Input/Output (three-state capable)**

This active-low signal is created by the bus initiator and is used to indicate the beginning and duration of a bus transaction. PFRAME is asserted by the initiator during the first clock cycle of a bus transaction and remains asserted until the last data phase of a bus transaction. When the device is an initiator, this signal is an output and is

updated on the rising edge of PCLK. When the device is a target, this signal is an input and is sampled on the rising edge of PCLK. When the device is not involved in a bus transaction, PFRAME is three-stated.

Signal Name: **PIRDY**
 Signal Description: **PCI Initiator Ready**
 Signal Type: **Input/Output (three-state capable)**

The initiator creates this active-low signal to signal the target that it is ready to send/accept or to continue sending/accepting data. This signal handshakes with the PTRDY signal during a bus transaction to control the rate at which data transfers across the bus. During a bus transaction, PIRDY is deasserted when the initiator cannot temporarily accept or send data, and a wait state is invoked. When the device is an initiator, this signal is an output and is updated on the rising edge of PCLK. When the device is a target, this signal is an input and is sampled on the rising edge of PCLK. When the device is not involved in a bus transaction, PIRDY is three-stated.

Signal Name: **PTRDY**
 Signal Description: **PCI Target Ready**
 Signal Type: **Input/Output (three-state capable)**

The target creates this active-low signal to signal the initiator that it is ready to send/accept or to continue sending/accepting data. This signal handshakes with the PIRDY signal during a bus transaction to control the rate at which data transfers across the bus. During a bus transaction, PTRDY is deasserted when the target cannot temporarily accept or send data, and a wait state is invoked. When the device is a target, this signal is an output and is updated on the rising edge of PCLK. When the device is an initiator, this signal is an input and is sampled on the rising edge of PCLK. When the device is not involved in a bus transaction, PTRDY is three-stated.

Signal Name: **PSTOP**
 Signal Description: **PCI Stop**
 Signal Type: **Input/Output (three-state capable)**

The target creates this active-low signal to signal the initiator to stop the current bus transaction. When the device is a target, this signal is an output and is updated on the rising edge of PCLK. When the device is an initiator, this signal is an input and is sampled on the rising edge of PCLK. When the device is not involved in a bus transaction, PSTOP is three-stated.

Signal Name: **PIDSEL**
 Signal Description: **PCI Initialization Device Select**
 Signal Type: **Input**

This input signal is used as a chip select during configuration read and write transactions. **This signal is disabled when the local bus is set in configuration mode (LMS = 1).** When PIDSEL is set high during the address phase of a bus transaction and the bus command signals (PCBE0 to PCBE3) indicate a register read or write, the device allows access to the PCI configuration registers, and the PDEVSEL signal is asserted during the PCLK cycle. PIDSEL is sampled on the rising edge of PCLK.

Signal Name: **PDEVSEL**
 Signal Description: **PCI Device Select**
 Signal Type: **Input/Output (three-state capable)**

The target creates this active-low signal when it has decoded the address sent to it by the initiator as its own to indicate that the address is valid. If the device is an initiator and does not see this signal asserted within six PCLK cycles, the bus transaction is aborted and the PCI host is alerted. When the device is a target, this signal is an output and is updated on the rising edge of PCLK. When the device is an initiator, this signal is an input and is sampled on the rising edge of PCLK. When the device is not involved in a bus transaction, PDEVSEL is three-stated.

Signal Name: **PREQ**
 Signal Description: **PCI Bus Request**
 Signal Type: **Output (three-state capable)**

The initiator asserts this active-low signal to request that the PCI bus arbiter allow it access to the bus. PREQ is updated on the rising edge of PCLK.

Signal Name: **PGNT**
 Signal Description: **PCI Bus Grant**
 Signal Type: **Input**

The PCI bus arbiter asserts this active-low signal to indicate to the PCI requesting agent that access to the PCI bus has been granted. The device samples PGNT on the rising edge of PCLK and, if detected, initiates a bus transaction when it has sensed that the PFRAME signal has been deasserted.

Signal Name: **PPER**
 Signal Description: **PCI Parity Error**
 Signal Type: **Input/Output (three-state capable)**

This active-low signal reports parity errors. PPER can be enabled and disabled through the PCI configuration registers. This signal is updated on the rising edge of PCLK.

Signal Name: **PSERR**
 Signal Description: **PCI System Error**
 Signal Type: **Output (open drain)**

This active-low signal reports any parity errors that occur during the address phase. PSERR can be enabled and disabled through the PCI configuration registers. This signal is updated on the rising edge of PCLK.

Signal Name: **PINTA**
 Signal Description: **PCI Interrupt**
 Signal Type: **Output (open drain)**

This active-low (open drain) signal is asserted low asynchronously when the device is requesting attention from the device driver. PINTA is deasserted when the device-interrupting source has been serviced or masked. This signal is updated on the rising edge of PCLK.

3.6 PCI Extension Signals

These signals are not part of the normal PCI bus signal set. There are additional signals that are asserted when the BoSS is an initiator on the PCI bus to help users interpret the normal PCI bus signal set and connect them to a non-PCI environment like an Intel i960-type bus.

Signal Name: **PXAS**
 Signal Description: **PCI Extension Address Strobe**
 Signal Type: **Output**

This active-low signal is asserted low on the same clock edge as PFRAME and is deasserted after one clock period. This signal is only asserted when the device is an initiator. This signal is an output and is updated on the rising edge of PCLK.

Signal Name: **PXDS**
 Signal Description: **PCI Extension Data Strobe**
 Signal Type: **Output**

This active-low signal is asserted when the PCI bus either contains valid data to be read from the device or can accept valid data that is written into the device. This signal is only asserted when the device is an initiator. This signal is an output and is updated on the rising edge of PCLK.

Signal Name: **PXBLAST**
Signal Description: **PCI Extension Burst Last**
Signal Type: **Output**

This active-low signal is asserted on the same clock edge as PFRAME is deasserted and is deasserted on the same clock edge as PIRDY is deasserted. This signal is only asserted when the device is an initiator. This signal is an output and is updated on the rising edge of PCLK.

3.7 Supply and Test Signal Description

Signal Name: **TEST**
Signal Description: **Factory Test Input**
Signal Type: **Input (with internal 10k Ω pullup)**

This input should be left open-circuited by the user.

Signal Name: **VDD**
Signal Description: **Positive Supply**
Signal Type: **n/a**
3.3V ($\pm 10\%$). All VDD signals should be connected together.

Signal Name: **VSS**
Signal Description: **Ground Reference**
Signal Type: **n/a**
All VSS signals should be connected to the local ground plane.

4. MEMORY MAP

4.1 Introduction

All addresses within the memory map are on dword boundaries, even though all internal device configuration registers are only one word (16 bits) wide. The memory map consumes an address range of 4kb (12 bits). When the PCI bus is the host (i.e., the local bus is in bridge mode), the actual 32-bit PCI bus addresses of the internal device configuration registers are obtained by adding the DC base address value in the PCI device-configuration memory-base address register (Section [10.2](#)) to the *offset* listed in Sections [4.1](#) to [4.10](#). When an external host is configuring the device through the local bus (i.e., the local bus is in the configuration mode), the offset is 0h and the host on the local bus uses the 16-bit *addresses* listed in Sections [4.2](#) to [4.10](#).

Table 4-A. Memory Map Organization

REGISTER	PCI HOST [OFFSET FROM DC BASE]	LOCAL BUS HOST (16-BIT ADDRESS)	SECTION
General Configuration Registers	(0x000)	(00xx)	4.2
Receive Port Registers	(0x1xx)	(01xx)	4.3
Transmit Port Registers	(0x2xx)	(02xx)	4.4
Receive HDLC Control Registers	(0x3xx)	(03xx)	4.5
Transmit HDLC Control Registers	(0x4xx)	(04xx)	4.6
BERT Registers	(0x5xx)	(05xx)	4.7
Receive DMA Registers	(0x7xx)	(07xx)	4.8
Transmit DMA Registers	(0x8xx)	(08xx)	4.9
FIFO Registers	(0x9xx)	(09xx)	4.10
PCI Configuration Registers for Function 0	(PIDSEL)	(0Axx)	4.11
PCI Configuration Registers for Function 1	(PIDSEL)	(0Bxx)	4.12

4.2 General Configuration Registers (0xx)

OFFSET/ ADDRESS	NAME	REGISTER	SECTION
0000	MRID	Master Reset and ID Register	5.1
0010	MC	Master Configuration	5.2
0020	SM	Master Status Register	5.3.2
0024	ISM	Interrupt Mask Register for SM	5.3.2
0028	SDMA	Status Register for DMA	5.3.2
002C	ISDMA	Interrupt Mask Register for SDMA	5.3.2
0040	LBBMC	Local Bus Bridge Mode Control Register	11.2
0050	TEST	Test Register	5.4

4.3 Receive Port Registers (1xx)

OFFSET/ ADDRESS	NAME	REGISTER	SECTION
0100	RP0CR	Receive Port 0 Control Register	6.2
0104	RP1CR	Receive Port 1 Control Register	6.2
0108	RP2CR	Receive Port 2 Control Register	6.2
010C	RP3CR	Receive Port 3 Control Register	6.2
0110	RP4CR	Receive Port 4 Control Register	6.2
0114	RP5CR	Receive Port 5 Control Register	6.2
0118	RP6CR	Receive Port 6 Control Register	6.2
011C	RP7CR	Receive Port 7 Control Register	6.2
0120	RP8CR	Receive Port 8 Control Register	6.2
0124	RP9CR	Receive Port 9 Control Register	6.2
0128	RP10CR	Receive Port 10 Control Register	6.2
012C	RP11CR	Receive Port 11 Control Register	6.2
0130	RP12CR	Receive Port 12 Control Register	6.2
0134	RP13CR	Receive Port 13 Control Register	6.2
0138	RP14CR	Receive Port 14 Control Register	6.2
013C	RP15CR	Receive Port 15 Control Register	6.2
0140	RP16CR	Receive Port 16 Control Register	6.2
0144	RP17CR	Receive Port 17 Control Register	6.2
0148	RP18CR	Receive Port 18 Control Register	6.2
014C	RP19CR	Receive Port 19 Control Register	6.2
0150	RP20CR	Receive Port 20 Control Register	6.2
0154	RP21CR	Receive Port 21 Control Register	6.2
0158	RP22CR	Receive Port 22 Control Register	6.2
015C	RP23CR	Receive Port 23 Control Register	6.2
0160	RP24CR	Receive Port 24 Control Register	6.2
0164	RP25CR	Receive Port 25 Control Register	6.2
0168	RP26CR	Receive Port 26 Control Register	6.2
016C	RP27CR	Receive Port 27 Control Register	6.2
0170	RP28CR	Receive Port 28 Control Register	6.2
0174	RP29CR	Receive Port 29 Control Register	6.2
0178	RP30CR	Receive Port 30 Control Register	6.2
017C	RP31CR	Receive Port 31 Control Register	6.2
0180	RP32CR	Receive Port 32 Control Register	6.2
0184	RP33CR	Receive Port 33 Control Register	6.2
0188	RP34CR	Receive Port 34 Control Register	6.2
018C	RP35CR	Receive Port 35 Control Register	6.2
0190	RP36CR	Receive Port 36 Control Register	6.2
0194	RP37CR	Receive Port 37 Control Register	6.2
0198	RP38CR	Receive Port 38 Control Register	6.2
019C	RP39CR	Receive Port 39 Control Register	6.2

4.4 Transmit Port Registers (2xx)

OFFSET/ ADDRESS	NAME	REGISTER	SECTION
0200	TP0CR	Transmit Port 0 Control Register	6.2
0204	TP1CR	Transmit Port 1 Control Register	6.2
0208	TP2CR	Transmit Port 2 Control Register	6.2
020C	TP3CR	Transmit Port 3 Control Register	6.2
0210	TP4CR	Transmit Port 4 Control Register	6.2
0214	TP5CR	Transmit Port 5 Control Register	6.2
0218	TP6CR	Transmit Port 6 Control Register	6.2
021C	TP7CR	Transmit Port 7 Control Register	6.2
0220	TP8CR	Transmit Port 8 Control Register	6.2
0224	TP9CR	Transmit Port 9 Control Register	6.2
0228	TP10CR	Transmit Port 10 Control Register	6.2
022C	TP11CR	Transmit Port 11 Control Register	6.2
0230	TP12CR	Transmit Port 12 Control Register	6.2
0234	TP13CR	Transmit Port 13 Control Register	6.2
0238	TP14CR	Transmit Port 14 Control Register	6.2
023C	TP15CR	Transmit Port 15 Control Register.	6.2
0240	TP16CR	Transmit Port 16 Control Register	6.2
0244	TP17CR	Transmit Port 17 Control Register	6.2
0248	TP18CR	Transmit Port 18 Control Register	6.2
024C	TP19CR	Transmit Port 19 Control Register	6.2
0250	TP20CR	Transmit Port 20 Control Register	6.2
0254	TP21CR	Transmit Port 21 Control Register	6.2
0258	TP22CR	Transmit Port 22 Control Register	6.2
025C	TP23CR	Transmit Port 23 Control Register	6.2
0260	TP24CR	Transmit Port 24 Control Register	6.2
0264	TP25CR	Transmit Port 25 Control Register	6.2
0268	TP26CR	Transmit Port 26 Control Register	6.2
026C	TP27CR	Transmit Port 27 Control Register	6.2
0270	TP28CR	Transmit Port 28 Control Register	6.2
0274	TP29CR	Transmit Port 29 Control Register	6.2
0278	TP30CR	Transmit Port 30 Control Register	6.2
027C	TP31CR	Transmit Port 31 Control Register	6.2
0280	TP32CR	Transmit Port 32 Control Register	6.2
0284	TP33CR	Transmit Port 33 Control Register	6.2
0288	TP34CR	Transmit Port 34 Control Register	6.2
028C	TP35CR	Transmit Port 35 Control Register	6.2
0290	TP36CR	Transmit Port 36 Control Register	6.2
0294	TP37CR	Transmit Port 37 Control Register	6.2
0298	TP38CR	Transmit Port 38 Control Register	6.2
029C	TP39CR	Transmit Port 39 Control Register	6.2

4.5 Receive HDLC Control Registers (3xx)

OFFSET/ ADDRESS	NAME	REGISTER	SECTION
0300	RH0CR	Receive Port 0 HDLC Control Register	7.2
0304	RH1CR	Receive Port 1 HDLC Control Register	7.2
0308	RH2CR	Receive Port 2 HDLC Control Register	7.2
030C	RH3CR	Receive Port 3 HDLC Control Register	7.2
0310	RH4CR	Receive Port 4 HDLC Control Register	7.2
0314	RH5CR	Receive Port 5 HDLC Control Register	7.2
0318	RH6CR	Receive Port 6 HDLC Control Register	7.2
031C	RH7CR	Receive Port 7 HDLC Control Register	7.2
0320	RH8CR	Receive Port 8 HDLC Control Register	7.2
0324	RH9CR	Receive Port 9 HDLC Control Register	7.2
0328	RH10CR	Receive Port 10 HDLC Control Register	7.2
032C	RH11CR	Receive Port 11 HDLC Control Register	7.2
0330	RH12CR	Receive Port 12 HDLC Control Register	7.2
0334	RH13CR	Receive Port 13 HDLC Control Register	7.2
0338	RH14CR	Receive Port 14 HDLC Control Register	7.2
033C	RH15CR	Receive Port 15 HDLC Control Register	7.2
0340	RH16CR	Receive Port 16 HDLC Control Register	7.2
0344	RH17CR	Receive Port 17 HDLC Control Register	7.2
0348	RH18CR	Receive Port 18 HDLC Control Register	7.2
034C	RH19CR	Receive Port 19 HDLC Control Register	7.2
0350	RH20CR	Receive Port 20 HDLC Control Register	7.2
0354	RH21CR	Receive Port 21 HDLC Control Register	7.2
0358	RH22CR	Receive Port 22 HDLC Control Register	7.2
035C	RH23CR	Receive Port 23 HDLC Control Register	7.2
0360	RH24CR	Receive Port 24 HDLC Control Register	7.2
0364	RH25CR	Receive Port 25 HDLC Control Register	7.2
0368	RH26CR	Receive Port 26 HDLC Control Register	7.2
036C	RH27CR	Receive Port 27 HDLC Control Register	7.2
0370	RH28CR	Receive Port 28 HDLC Control Register	7.2
0374	RH29CR	Receive Port 29 HDLC Control Register	7.2
0378	RH30CR	Receive Port 30 HDLC Control Register	7.2
037C	RH31CR	Receive Port 31 HDLC Control Register	7.2
0380	RH32CR	Receive Port 32 HDLC Control Register	7.2
0384	RH33CR	Receive Port 33 HDLC Control Register	7.2
0388	RH34CR	Receive Port 34 HDLC Control Register	7.2
038C	RH35CR	Receive Port 35 HDLC Control Register	7.2
0390	RH36CR	Receive Port 36 HDLC Control Register	7.2
0394	RH37CR	Receive Port 37 HDLC Control Register	7.2
0398	RH38CR	Receive Port 38 HDLC Control Register	7.2
039C	RH39CR	Receive Port 39 HDLC Control Register	7.2
03A0	RHPL	Receive HDLC Maximum Packet Length	7.2

4.6 TRANSMIT HDLC CONTROL REGISTERS (4xx)

OFFSET/ ADDRESS	NAME	REGISTER	SECTION
0400	TH0CR	Transmit Port 0 HDLC Control Register	7.2
0404	TH1CR	Transmit Port 1 HDLC Control Register	7.2
0408	TH2CR	Transmit Port 2 HDLC Control Register	7.2
040C	TH3CR	Transmit Port 3 HDLC Control Register	7.2
0410	TH4CR	Transmit Port 4 HDLC Control Register	7.2
0414	TH5CR	Transmit Port 5 HDLC Control Register	7.2
0418	TH6CR	Transmit Port 6 HDLC Control Register	7.2
041C	TH7CR	Transmit Port 7 HDLC Control Register	7.2
0420	TH8CR	Transmit Port 8 HDLC Control Register	7.2
0424	TH9CR	Transmit Port 9 HDLC Control Register	7.2
0428	TH10CR	Transmit Port 10 HDLC Control Register	7.2
042C	TH11CR	Transmit Port 11 HDLC Control Register	7.2
0430	TH12CR	Transmit Port 12 HDLC Control Register	7.2
0434	TH13CR	Transmit Port 13 HDLC Control Register	7.2
0438	TH14CR	Transmit Port 14 HDLC Control Register	7.2
043C	TH15CR	Transmit Port 15 HDLC Control Register	7.2
0440	TH16CR	Transmit Port 16 HDLC Control Register	7.2
0444	TH17CR	Transmit Port 17 HDLC Control Register	7.2
0448	TH18CR	Transmit Port 18 HDLC Control Register	7.2
044C	TH19CR	Transmit Port 19 HDLC Control Register	7.2
0450	TH20CR	Transmit Port 20 HDLC Control Register	7.2
0454	TH21CR	Transmit Port 21 HDLC Control Register	7.2
0458	TH22CR	Transmit Port 22 HDLC Control Register	7.2
045C	TH23CR	Transmit Port 23 HDLC Control Register	7.2
0460	TH24CR	Transmit Port 24 HDLC Control Register	7.2
0464	TH25CR	Transmit Port 25 HDLC Control Register	7.2
0468	TH26CR	Transmit Port 26 HDLC Control Register	7.2
046C	TH27CR	Transmit Port 27 HDLC Control Register	7.2
0470	TH28CR	Transmit Port 28 HDLC Control Register	7.2
0474	TH29CR	Transmit Port 29 HDLC Control Register	7.2
0478	TH30CR	Transmit Port 30 HDLC Control Register	7.2
047C	TH31CR	Transmit Port 31 HDLC Control Register	7.2
0480	TH32CR	Transmit Port 32 HDLC Control Register	7.2
0484	TH33CR	Transmit Port 33 HDLC Control Register	7.2
0488	TH34CR	Transmit Port 34 HDLC Control Register	7.2
048C	TH35CR	Transmit Port 35 HDLC Control Register	7.2
0490	TH36CR	Transmit Port 36 HDLC Control Register	7.2
0494	TH37CR	Transmit Port 37 HDLC Control Register	7.2
0498	TH38CR	Transmit Port 38 HDLC Control Register	7.2
049C	TH39CR	Transmit Port 39 HDLC Control Register	7.2

4.7 BERT Registers (5xx)

OFFSET/ ADDRESS	NAME	REGISTER	SECTION
0500	BERTC0	BERT Control 0	6.4
0504	BERTC1	BERT Control 1	6.4
0508	BERTRP0	BERT Repetitive Pattern Set 0 (lower word)	6.4
050C	BERTRP1	BERT Repetitive Pattern Set 1 (upper word)	6.4
0510	BERTBC0	BERT Bit Counter 0 (lower word)	6.4
0514	BERTBC1	BERT Bit Counter 1 (upper word)	6.4
0518	BERTEC0	BERT Error Counter 0 (lower word)	6.4
051C	BERTEC1	BERT Error Counter 1 (upper word)	6.4

4.8 Receive DMA Registers (7xx)

OFFSET/ ADDRESS	NAME	REGISTER	SECTION
0700	RFQBA0	Receive Free-Queue Base Address 0 (lower word)	9.2.3
0704	RFQBA1	Receive Free-Queue Base Address 1 (upper word)	9.2.3
0708	RFQEA	Receive Free-Queue End Address	9.2.3
070C	RFQSBSA	Receive Free-Queue Small Buffer Start Address	9.2.3
0710	RFQLBWP	Receive Free-Queue Large Buffer Host Write Pointer	9.2.3
0714	RFQSBWP	Receive Free-Queue Small Buffer Host Write Pointer	9.2.3
0718	RFQLBRP	Receive Free-Queue Large Buffer DMA Read Pointer	9.2.3
071C	RFQSBRP	Receive Free-Queue Small Buffer DMA Read Pointer	9.2.3
0730	RDQBA0	Receive Done-Queue Base Address 0 (lower word)	9.2.4
0734	RDQBA1	Receive Done-Queue Base Address 1 (upper word)	9.2.4
0738	RDQEA	Receive Done-Queue End Address	9.2.4
073C	RDQRP	Receive Done-Queue Host Read Pointer	9.2.4
0740	RDQWP	Receive Done-Queue DMA Write Pointer	9.2.4
0744	RDQFFT	Receive Done-Queue FIFO Flush Timer	9.2.4
0750	RDBA0	Receive Descriptor Base Address 0 (lower word)	9.2.2
0754	RDBA1	Receive Descriptor Base Address 1 (upper word)	9.2.2
0770	RDMACIS	Receive DMA Configuration Indirect Select	9.3.5
0774	RDMAC	Receive DMA Configuration	9.3.5
0780	RDMAQ	Receive DMA Queues Control	9.2.3/9.2.4
0790	RLBS	Receive Large Buffer Size	9.2.1
0794	RSBS	Receive Small Buffer Size	9.2.1

4.9 Transmit DMA Registers (8xx)

OFFSET/ ADDRESS	NAME	REGISTER	SECTION
0800	TPQBA0	Transmit Pending-Queue Base Address 0 (lower word)	9.3.3
0804	TPQBA1	Transmit Pending-Queue Base Address 1 (upper word)	9.3.3
0808	TPQEA	Transmit Pending-Queue End Address	9.3.3
080C	TPQWP	Transmit Pending-Queue Host Write Pointer	9.3.3
0810	TPQRP	Transmit Pending-Queue DMA Read Pointer	9.3.3
0830	TDQBA0	Transmit Done-Queue Base Address 0 (lower word)	9.3.4
0834	TDQBA1	Transmit Done-Queue Base Address 1 (upper word)	9.3.4
0838	TDQEA	Transmit Done-Queue End Address	9.3.4
083C	TDQRP	Transmit Done-Queue Host Read Pointer	9.3.4
0840	TDQWP	Transmit Done-Queue DMA Write Pointer	9.3.4
0844	TDQFFT	Transmit Done-Queue FIFO Flush Timer	9.3.4
0850	TDBA0	Transmit Descriptor Base Address 0 (lower word)	9.3.2
0854	TDBA1	Transmit Descriptor Base Address 1 (upper word)	9.3.2
0870	TDMACIS	Transmit DMA Configuration Indirect Select	9.3.5
0874	TDMAC	Transmit DMA Configuration	9.3.5
0880	TDMAQ	Transmit DMA Queues Control	9.3.3/9.3.4

4.10 FIFO Registers (9xx)

OFFSET/ ADDRESS	NAME	REGISTER	SECTION
0900	RFSBPIS	Receive FIFO Starting Block Pointer Indirect Select	8.2
0904	RFSBP	Receive FIFO Starting Block Pointer	8.2
0910	RFBPIS	Receive FIFO Block Pointer Indirect Select	8.2
0914	RFBP	Receive FIFO Block Pointer	8.2
0920	RFHWMIS	Receive FIFO High-Watermark Indirect Select	8.2
0924	RFHWM	Receive FIFO High Watermark	8.2
0980	TFSBPIS	Transmit FIFO Starting Block Pointer Indirect Select	8.2
0984	TFSBP	Transmit FIFO Starting Block Pointer	8.2
0990	TFBPIS	Transmit FIFO Block Pointer Indirect Select	8.2
0994	TFBP	Transmit FIFO Block Pointer	8.2
09A0	TFLWMIS	Transmit FIFO Low-Watermark Indirect Select	8.2
09A4	TFLWM	Transmit FIFO Low Watermark	8.2

4.11 PCI Configuration Registers for Function 0 (PIDSEL/Axx)

OFFSET/ ADDRESS	NAME	REGISTER	SECTION
0x000/0A00	PVID0	PCI Vendor ID/Device ID 0	10.2
0x004/0A04	PCMD0	PCI Command Status 0	10.2
0x008/0A08	PRCC0	PCI Revision ID/Class Code 0	10.2
0x00C/0A0C	PLTH0	PCI Cache Line Size/Latency Timer/Header Type 0	10.2
0x010/0A10	PDCM	PCI Device Configuration Memory Base Address	10.2
0x03C/0A3C	PINTL0	PCI Interrupt Line and Pin /Min Grant/Max Latency 0	10.2

4.12 PCI Configuration Registers for Function 1 (PIDSEL/Bxx)

OFFSET/ ADDRESS	NAME	REGISTER	SECTION
0x100/0B00	PVID1	PCI Vendor ID/Device ID 1	10.2
0x104/0B04	PCMD1	PCI Command Status 1	10.2
0x108/0B08	PRCC1	PCI Revision ID/Class Code 1	10.2
0x10C/0B0C	PLTH1	PCI Cache Line Size/Latency Timer/Header Type 1	10.2
0x110/0B10	PLBM	PCI Device Local Base Memory Base Address	10.2
0x13C/0B3C	PINTL1	PCI Interrupt Line and Pin/Min Grant/Max Latency 1	10.2

5. GENERAL DEVICE CONFIGURATION AND STATUS/INTERRUPT

5.1 Master Reset and ID Register Description

The master reset and ID (MRID) register can be used to globally reset the device. When the RST bit is set to 1, all of the internal registers (except the PCI configuration registers) are placed into their default state, which is 0000h. The host must set the RST bit back to 0 before the device can be programmed for normal operation. The RST bit does not force the PCI outputs to three-state as does the hardware reset which is invoked by the PRST pin. A reset invoked by the PRST pin forces the RST bit to 0 as well as the rest of the internal configuration registers. See Section 2 for more details about device initialization.

The upper byte of the MRID register is read-only and it can be read by the host to determine the chip revision. Contact the factory for specifics on the meaning of the value read from the ID0 to ID7 bits.

Register Name: **MRID**
 Register Description: **Master Reset and ID Register**
 Register Address: **0000h**

Bit #	7	6	5	4	3	2	1	0
Name	reserved	reserved	reserved	reserved	reserved	reserved	reserved	RST
Default	0	0	0	0	0	0	0	0

Bit #	15	14	13	12	11	10	9	8
Name	<u>ID7</u>	<u>ID6</u>	<u>ID5</u>	<u>ID4</u>	<u>ID3</u>	<u>ID2</u>	<u>ID1</u>	<u>ID0</u>
Default	0	0	0	0	0	0	0	0

Note: Bits that are underlined are read-only; all other bits are read-write.

Bit 0/Master Software Reset (RST)

0 = normal operation

1 = force all internal registers (except LBBMC) to their default value of 0000h

Bits 8 to 15/Chip Revision ID Bit 0 to 7 (ID0 to ID7). Read-only. Contact the factory for details on the meaning of the ID bits.

5.2 Master Configuration Register Description

The master configuration (MC) register is used by the host to enable the receive and transmit DMAs as well as to control their PCI bus bursting attributes and select which port the BERT is dedicated to.

Register Name: **MC**
 Register Description: **Master Configuration Register**
 Register Address: **0010h**

Bit #	7	6	5	4	3	2	1	0
Name	<u>BPS0</u>	<u>PBO</u>	<u>RFPC1</u>	<u>RFPC0</u>	<u>TDE</u>	<u>DT1</u>	<u>DT0</u>	<u>RDE</u>
Default	0	0	0	0	0	0	0	0

Bit #	15	14	13	12	11	10	9	8
Name	<u>TFPC1</u>	<u>TFPC0</u>	reserved	<u>BPS5</u>	<u>BPS4</u>	<u>BPS3</u>	<u>BPS2</u>	<u>BPS1</u>
Default	0	0	0	0	0	0	0	0

Note: Bits that are underlined are read-only; all other bits are read-write.

Bit 0/Receive DMA Enable (RDE). This bit is used to enable the receive DMA. When it is set to 0, the receive DMA does not pass any data from the receive FIFO to the PCI bus, even if one or more HDLC channels is enabled. On device initialization, the host should fully configure the receive DMA before enabling it through this bit.

- 0 = receive DMA is disabled
- 1 = receive DMA is enabled

Bit 1/DMA Throttle Select Bit 0 (DT0); Bit 2/DMA Throttle Select Bit 1 (DT1). These two bits select the maximum burst length that the receive and transmit DMA is allowed on the PCI bus. The DMA can be restricted to a maximum burst length of just 32 dwords (128 Bytes) or it can be incrementally adjusted up to 256 dwords (1024 Bytes). The host selects the optimal length based on a number of factors, including the system environment for the PCI bus, the number of HDLC channels being used, and the trade-off between channel latency and bus efficiency.

- 00 = burst length maximum is 32 dwords
- 01 = burst length maximum is 64 dwords
- 10 = burst length maximum is 128 dwords
- 11 = burst length maximum is 256 dwords

Bit 3/Transmit DMA Enable (TDE). This bit is used to enable the transmit DMA. When it is set to 0, the transmit DMA does not pass any data from the PCI bus to the transmit FIFO, even if one or more HDLC channels is enabled. On device initialization, the host should fully configure the transmit DMA before enabling it through this bit. See [Table 8-A](#).

- 0 = transmit DMA is disabled
- 1 = transmit DMA is enabled

Bit 4/Receive FIFO Priority Control Bit 0 (RFPC0); Bit 5/Receive FIFO Priority Control Bit 1 (RFPC1). These two bits select the algorithm the FIFO uses to determine which HDLC channel gets the highest priority to the DMA to transfer data from the FIFO to the PCI bus. In the priority-decoded scheme, the lower the HDLC channels number, the higher the priority.

- 00 = all HDLC channels are serviced round robin
- 01 = HDLC channels 1 and 2 are priority decoded; other HDLC channels are round robin
- 10 = HDLC channels 1 to 4 are priority decoded; other HDLC channels are round robin
- 11 = HDLC channels 1 to 16 are priority decoded; other HDLC channels are round robin

Bit 6/PCI Bus Orientation (PBO). This bit selects whether HDLC packet data on the PCI bus operates in either Little Endian or Big Endian format. Little Endian byte ordering places the least significant byte at the lowest address while Big Endian places the least significant byte at the highest address. This bit setting only affects HDLC data on the PCI bus. All other PCI bus transactions to the internal device configuration registers, PCI configuration registers, and local bus are always in Little Endian format.

0 = HDLC packet data on the PCI bus is in Little Endian format

1 = HDLC packet data on the PCI bus is in Big Endian format

Bits 7 to 12/BERT Port Select Bits 0 to 5 (BPS0 to BPS5). These six bits select which port has the dedicated resources of the BERT.

000000 (00h) = Port 0

000001 (01h) = Port 1

000010 (02h) = Port 2

100110 (26h) = Port 38

100111 (27h) = Port 39

101000 (28h) = illegal setting

111111 (3Fh) = illegal setting

Bit 14/Transmit FIFO Priority Control Bit 0 (TFPC0); Bit 15/Transmit FIFO Priority Control Bit 1 (TFPC1). These two bits select the algorithm the FIFO uses to determine which HDLC channel gets the highest priority to the DMA to transfer data from the PCI bus to the FIFO. In the priority-decoded scheme, the lower the HDLC channel numbers, the higher the priority. See [Table 8-A](#).

00 = all HDLC channels are serviced round robin

01 = HDLC channels 1 and 2 are priority decoded; other HDLC channels are round robin

10 = HDLC channels 1 to 4 are priority decoded; other HDLC channels are round robin

11 = HDLC channels 1 to 16 are priority decoded; other HDLC channels are round robin

5.3 Status and Interrupt

5.3.1 General Description of Operation

There are two status registers in the device, status master (SM) and status for DMA (SDMA). Both registers report events in real-time as they occur by setting a bit within the register to 1. Each bit has the ability to generate an interrupt at the PCI bus through the PINTA output signal pin and if the local bus is in the configuration mode, then an interrupt also be created at the LINT output signal pin. Each status register has an associated interrupt mask register, which can allow/deny interrupts from being generated on a bit-by-bit basis. All status remains active even if the associated interrupt is disabled.

SM Register

The status master (SM) register reports events that occur at the port interface, at the BERT receiver, at the PCI bus and at the local bus. See [Figure 5-1](#) for details.

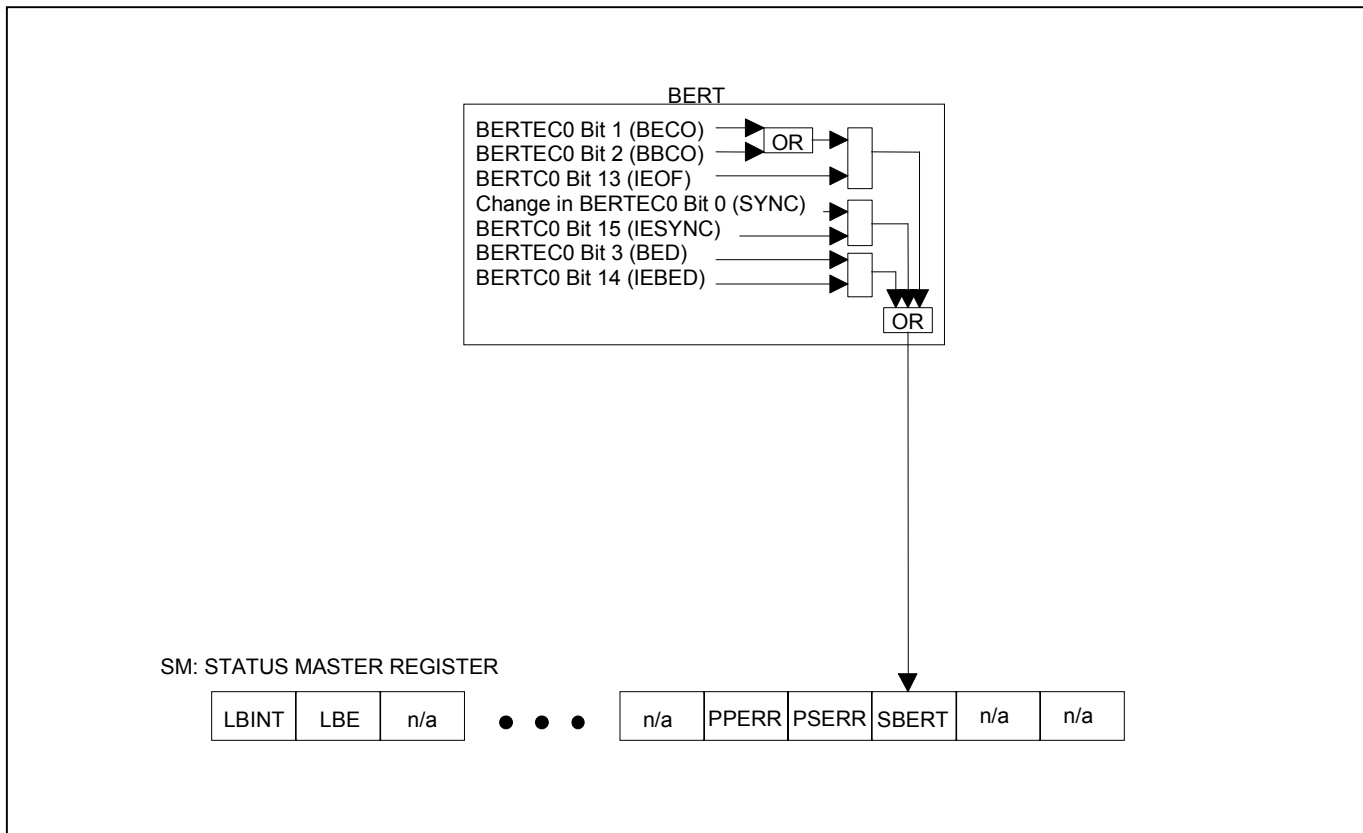
The BERT receiver reports three events: a change in the receive synchronizer status, a bit error being detected, and if either the bit counter or the error counter overflows. Each of these events can be masked within the BERT function through the BERT control register (BERTC0). If the software detects that the BERT has reported an event, the software must read the BERT status register (BERTECO) to determine which event(s) has occurred.

The SM register also reports events as they occur in the PCI bus and the local bus. There are no control bits to stop these events from being reported in the SM register. When the local bus is operated in the PCI bridge mode, SM reports any interrupts detected through the local bus LINT input signal pin and if any timing errors occur because the external timing signal LRDY. When the local bus is operated in the configuration mode, the LBINT and LBE bits are meaningless and should be ignored.

SDMA Register

The status DMA (SDMA) register reports events pertaining to the receive and transmit DMA blocks as well as the receive HDLC controller and FIFO. The SDMA reports when the DMA reads from either the receive free queue or transmit pending queue or writes to the receive or transmit done queues. Also reported are error conditions that might occur in the access of one of these queues. The SDMA reports if any of the HDLC channels experiences an FIFO overflow/underflow condition and if the receive HDLC controller encounters a CRC error, abort signal, or octet length problem on any of the HDLC channels. The host can determine which specific HDLC channel incurred an FIFO overflow/underflow, CRC error, octet length error, or abort by reading the status bits as reported in done queues, which are created by the DMA. There are no control bits to stop these events from being reported in the SDMA register.

Figure 5-1. Status Register Block Diagram for SM



5.3.2 Status and Interrupt Register Description

Register Name: **SM**
 Register Description: **Status Master Register**
 Register Address: **0020h**

Bit #	7	6	5	4	3	2	1	0
Name	reserved	reserved	reserved	<u>PPERR</u>	<u>PSERR</u>	<u>SBERT</u>	reserved	reserved
Default	0	0	0	0	0	0	0	0

Bit #	15	14	13	12	11	10	9	8
Name	<u>LBINT</u>	<u>LBE</u>	reserved	reserved	reserved	reserved	reserved	reserved
Default	0	0	0	0	0	0	0	0

Note: Bits that are underlined are read-only; all other bits are read-write.

Bit 2/Status Bit for Change of State in BERT (SBERT). This status bit is set to 1 if there is a major change of state in the BERT receiver. A major change of state is defined as either a change in the receive synchronization (i.e., the BERT has gone into or out of receive synchronization), a bit error has been detected, or an overflow has occurred in either the bit counter or the error counter. The host must read the status bits of the BERT in the BERT status register (BERTECO) to determine the change of state. The SBERT bit is cleared when the BERT status register is read and is not set again until the BERT has experienced another change of state. If enabled through the SBERT bit in the interrupt mask for SM (ISM), the setting of this bit causes a hardware interrupt at the PCI bus through the PINTA signal pin and also at the LINT if the local bus is in configuration mode.

Bit 3/Status Bit for PCI System Error (PSERR). This status bit is a software version of the PCI bus hardware pin PSERR. It is set to 1 if the PCI bus detects an address parity error or other PCI bus error. The PSERR bit is cleared when read and is not set again until another PCI bus error has occurred. If enabled through the PSERR bit in the interrupt mask for SM (ISM), the setting of this bit causes a hardware interrupt at the PCI bus through the PINTA signal pin and also at the LINT if the local bus is in configuration mode. This status bit is also reported in the control/status register in the PCI configuration registers (Section 10).

Bit 4/Status Bit for PCI System Error (PPERR). This status bit is a software version of the PCI bus hardware pin PPERR. It is set to 1 if the PCI bus detects parity errors on the PAD and PCBE buses as experienced or reported by a target. The PPERR bit is cleared when read and is not set again until another parity error has been detected. If enabled through the PPERR bit in the interrupt mask for SM (ISM), the setting of this bit causes a hardware interrupt at the PCI bus through the PINTA signal pin and also at the LINT if the local bus is in configuration mode. This status bit is also reported in the control/status register in the PCI configuration registers (Section 10).

Bit 14/Status Bit for Local Bus Error (LBE). This status bit applies to the local bus when it is operated in PCI bridge mode. It is set to 1 when the local bus LRDY signal is not detected within nine LCLK periods. This indicates to the host that an aborted local bus access has occurred. If enabled through the LBE bit in the interrupt mask for SM (ISM), the setting of this bit causes a hardware interrupt at the PCI bus through the PINTA signal pin and also at the LINT if the local bus is in configuration mode. The LBE bit is meaningless when the local bus is operated in the configuration mode and should be ignored.

Bit 15/Status Bit for Local Bus Interrupt (LBINT). This status bit is set to 1 if the local bus LINT signal has been detected as asserted. This status bit is only valid when the local bus is operated in PCI bridge mode. The LBINT bit is cleared when read and is not set again until the LINT signal pin once again has been detected as asserted. If enabled through the LBINT bit in the interrupt mask for SM (ISM), the setting of this bit causes a hardware interrupt at the PCI bus through the PINTA signal pin. The LBINT bit is meaningless when the local bus is operated in the configuration mode and should be ignored.

Register Name: **ISM**
 Register Description: **Interrupt Mask Register for SM**
 Register Address: **0024h**

Bit #	7	6	5	4	3	2	1	0
Name	reserved	reserved	reserved	PPERR	PSERR	SBERT	reserved	reserved
Default	0	0	0	0	0	0	0	0

Bit #	15	14	13	12	11	10	9	8
Name	LBINT	LBE	reserved	reserved	reserved	reserved	reserved	reserved
Default	0	0	0	0	0	0	0	0

Note: Bits that are underlined are read-only; all other bits are read-write.

Bit 2/Status Bit for Change of State in BERT (SBERT)

0 = interrupt masked
 1 = interrupt unmasked

Bit 3/Status Bit for PCI System Error (PSERR)

0 = interrupt masked
 1 = interrupt unmasked

Bit 4/Status Bit for PCI System Error (PPERR)

0 = interrupt masked
 1 = interrupt unmasked

Bit 14/Status Bit for Local Bus Error (LBE)

0 = interrupt masked
 1 = interrupt unmasked

Bit 15/Status Bit for Local Bus Interrupt (LBINT)

0 = interrupt masked
 1 = interrupt unmasked

Register Name: **SDMA**
 Register Description: **Status Register for DMA**
 Register Address: **0028h**

Bit #	7	6	5	4	3	2	1	0
Name	<u>RLBRE</u>	<u>RLBR</u>	<u>ROVFL</u>	<u>RLENC</u>	<u>RABRT</u>	<u>RRCRC</u>	reserved	reserved
Default	0	0	0	0	0	0	0	0

Bit #	15	14	13	12	11	10	9	8
Name	<u>TDQWE</u>	<u>TDQW</u>	<u>TPQR</u>	<u>TUDFL</u>	<u>RDQWE</u>	<u>RDQW</u>	<u>RSBRE</u>	<u>RSBR</u>
Default	0	0	0	0	0	0	0	0

Note: Bits that are underlined are read-only; all other bits are read-write.

Bit 2/Status Bit for Receive HDLC CRC Error (RRCRC). This status bit is set to 1 if any of the receive HDLC channels experiences a CRC checksum error. The RRCRC bit is cleared when read and is not set again until another CRC checksum error has occurred. If enabled through the RRCRC bit in the interrupt mask for SDMA (ISDMA), the setting of this bit causes a hardware interrupt at the PCI bus through the PINTA signal pin and also at the LINT if the local bus is in configuration mode.

Bit 3/Status Bit for Receive HDLC Abort Detected (RABRT). This status bit is set to 1 if any of the receive HDLC channels detects an abort. The RABRT bit is cleared when read and is not set again until another abort has been detected. If enabled through the RABRT bit in the interrupt mask for SDMA (ISDMA), the setting of this bit causes a hardware interrupt at the PCI bus through the PINTA signal pin and also at the LINT if the local bus is in configuration mode.

Bit 4/Status Bit for Receive HDLC Length Check (RLENC). This status bit is set to 1 if any of the HDLC channels:

- exceeds the octet length count (if so enabled to check for octet length)
- receives an HDLC packet that does not meet the minimum length criteria
- experiences a nonintegral number of octets in between opening and closing flags

The RLENC bit is cleared when read and is not set again until another length violation has occurred. If enabled through the RLENC bit in the interrupt mask for SDMA (ISDMA), the setting of this bit causes a hardware interrupt at the PCI bus through the PINTA signal pin and also at the LINT if the local bus is in configuration mode.

Bit 5/Status Bit for Receive FIFO Overflow (ROVFL). This status bit is set to 1 if any of the HDLC channels experiences an overflow in the receive FIFO. The ROVFL bit is cleared when read and is not set again until another overflow has occurred. If enabled through the ROVFL bit in the interrupt mask for SDMA (ISDMA), the setting of this bit causes a hardware interrupt at the PCI bus through the PINTA signal pin and also at the LINT if the local bus is in configuration mode.

Bit 6/Status Bit for Receive DMA Large Buffer Read (RLBR). This status bit is set to 1 each time the receive DMA completes a single read or a burst read of the large buffer free queue. The RLBR bit is cleared when read and is not be set again, until another read of the large buffer free queue has occurred. If enabled through the RLBR bit in the interrupt mask for SDMA (ISDMA), the setting of this bit causes a hardware interrupt at the PCI bus through the PINTA signal pin and also at the LINT if the local bus is in configuration mode.

Bit 7/Status Bit for Receive DMA Large Buffer Read Error (RLBRE). This status bit is set to 1 each time the receive DMA tries to read the large buffer free queue and it is empty. The RLBRE bit is cleared when read and is not set again, until another read of the large buffer free queue detects that it is empty. If enabled through the RLBRE bit in the interrupt mask for SDMA (ISDMA), the setting of this bit causes a hardware interrupt at the PCI bus through the PINTA signal pin and also at the LINT if the local bus is in configuration mode.

Bit 8/Status Bit for Receive DMA Small Buffer Read (RSBR). This status bit is set to 1 each time the receive DMA completes a single read or a burst read of the small buffer free queue. The RSBR bit is cleared when read and is not set again, until another read of the small buffer free queue has occurred. If enabled through the RSBR bit in the interrupt mask for SDMA (ISDMA), the setting of this bit causes a hardware interrupt at the PCI bus through the PINTA signal pin and also at the LINT if the local bus is in configuration mode.

Bit 9/Status Bit for Receive DMA Small Buffer Read Error (RSBRE). This status bit is set to 1 each time the receive DMA tries to read the small buffer free queue and it is empty. The RSBRE bit is cleared when read and is not set again, until another read of the small buffer free queue detects that it is empty. If enabled through the RSBRE bit in the interrupt mask for SDMA (ISDMA), the setting of this bit causes a hardware interrupt at the PCI bus through the PINTA signal pin and also at the LINT if the local bus is in configuration mode.

Bit 10/Status Bit for Receive DMA Done-Queue Write (RDQW). This status bit is set to 1 when the receive DMA writes to the done queue. Based of the setting of the receive done-queue threshold setting (RDQT0 to RDQT2) bits in the receive DMA queues-control (RDMAQ) register, this bit is set either after each write or after a programmable number of writes from 2 to 128 (Section 9.2.4). The RDQW bit is cleared when read and is not set again until another write to the done queue has occurred. If enabled through the RDQW bit in the interrupt mask

for SDMA (ISDMA), the setting of this bit causes a hardware interrupt at the PCI bus through the PINTA signal pin and also at the LINT if the local bus is in configuration mode.

Bit 11/Status Bit for Receive DMA Done-Queue Write Error (RDQWE). This status bit is set to 1 each time the receive DMA tries to write to the done queue and it is full. The RDQWE bit is cleared when read and is not set again until another write to the done queue detects that it is full. If enabled through the RDQWE bit in the interrupt mask for SDMA (ISDMA), the setting of this bit causes a hardware interrupt at the PCI bus through the PINTA signal pin and also at the LINT if the local bus is in configuration mode.

Bit 12/Status Bit for Transmit FIFO Underflow (TUDFL). This status bit is set to 1 if any of the HDLC channels experiences an underflow in the transmit FIFO. The TUDFL bit is cleared when read and is not set again until another underflow has occurred. If enabled through the TUDFL bit in the interrupt mask for SDMA (ISDMA), the setting of this bit causes a hardware interrupt at the PCI bus through the PINTA signal pin and also at the LINT if the local bus is in configuration mode.

Bit 13/Status Bit for Transmit DMA Pending-Queue Read (TPQR). This status bit is set to 1 each time the transmit DMA reads the pending queue. The TPQR bit is cleared when read and is not set again until another read of the pending queue has occurred. If enabled through the TPQR bit in the interrupt mask for SDMA (ISDMA), the setting of this bit causes a hardware interrupt at the PCI bus through the PINTA signal pin and also at the LINT if the local bus is in configuration mode.

Bit 14/Status Bit for Transmit DMA Done-Queue Write (TDQW). This status bit is set to 1 when the transmit DMA writes to the done queue. Based on the setting of the transmit done-queue threshold setting (TDQT0 to TDQT2) bits in the transmit DMA queues-control (TDMAQ) register, this bit is set either after each write or after a programmable number of writes from 2 to 128 (Section [9.2.4](#)). The TDQW bit is cleared when read and is not set again until another write to the done queue has occurred. If enabled through the TDQW bit in the interrupt mask for SDMA (ISDMA), the setting of this bit causes a hardware interrupt at the PCI bus through the PINTA signal pin and also at the LINT if the local bus is in configuration mode.

Bit 15/Status Bit for Transmit DMA Done-Queue Write Error (TDQWE). This status bit is set to 1 each time the transmit DMA tries to write to the done queue and it is full. The TDQWE bit is cleared when read and is not set again until another write to the done queue detects that it is full. If enabled through the TDQWE bit in the interrupt mask for SDMA (ISDMA), the setting of this bit causes a hardware interrupt at the PCI bus through the PINTA signal pin and also at the LINT if the local bus is in configuration mode.

Register Name: **ISDMA**
 Register Description: **Interrupt Mask Register for SDMA**
 Register Address: **002Ch**

Bit #	7	6	5	4	3	2	1	0
Name	<u>RLBRE</u>	<u>RLBR</u>	<u>ROVFL</u>	<u>RLENC</u>	<u>RABRT</u>	<u>RRCRCE</u>	reserved	reserved
Default	0	0	0	0	0	0	0	0

Bit #	15	14	13	12	11	10	9	8
Name	<u>TDQWE</u>	<u>TDQW</u>	<u>TPQR</u>	<u>TUDFL</u>	<u>RDQWE</u>	<u>RDQW</u>	<u>RSBRE</u>	<u>RSBR</u>
Default	0	0	0	0	0	0	0	0

Note: Bits that are underlined are read-only; all other bits are read-write.

Bit 2/Status Bit for Receive HDLC CRC Error (RRCRCE)

- 0 = interrupt masked
- 1 = interrupt unmasked

Bit 3/Status Bit for Receive HDLC Abort Detected (RABRT)

- 0 = interrupt masked
- 1 = interrupt unmasked

Bit 4/Status Bit for Receive HDLC Length Check (RLENC)

- 0 = interrupt masked
- 1 = interrupt unmasked

Bit 5/Status Bit for Receive FIFO Overflow (ROVFL)

- 0 = interrupt masked
- 1 = interrupt unmasked

Bit 6/Status Bit for Receive DMA Large Buffer Read (RLBR)

- 0 = interrupt masked
- 1 = interrupt unmasked

Bit 7/Status Bit for Receive DMA Large Buffer Read Error (RLBRE)

- 0 = interrupt masked
- 1 = interrupt unmasked

Bit 8/Status Bit for Receive DMA Small Buffer Read (RSBR)

- 0 = interrupt masked
- 1 = interrupt unmasked

Bit 9/Status Bit for Receive DMA Small Buffer Read Error (RSBRE)

- 0 = interrupt masked
- 1 = interrupt unmasked

Bit 10/Status Bit for Receive DMA Done-Queue Write (RDQW)

- 0 = interrupt masked
- 1 = interrupt unmasked

Bit 11/Status Bit for Receive DMA Done-Queue Write Error (RDQWE)

- 0 = interrupt masked
- 1 = interrupt unmasked

Bit 12/Status Bit for Transmit FIFO Underflow (TUDFL)

- 0 = interrupt masked
- 1 = interrupt unmasked

Bit 13/Status Bit for Transmit DMA Pending-Queue Read (TPQR)

- 0 = interrupt masked
- 1 = interrupt unmasked

Bit 14/Status Bit for Transmit DMA Done-Queue Write (TDQW)

- 0 = interrupt masked
- 1 = interrupt unmasked

Bit 15/Status Bit for Transmit DMA Done-Queue Write Error (TDQWE)

- 0 = interrupt masked
- 1 = interrupt unmasked

5.4 Test Register Description

Register Name: **TEST**
 Register Description: **Test Register**
 Register Address: **0050h**

Bit #	7	6	5	4	3	2	1	0
Name	reserved	reserved	reserved	reserved	reserved	reserved	reserved	FT
Default	0	0	0	0	0	0	0	0

Bit #	15	14	13	12	11	10	9	8
Name	reserved	reserved	reserved	reserved	reserved	reserved	reserved	reserved
Default	0	0	0	0	0	0	0	0

Note: Bits that are underlined are read-only; all other bits are read-write.

Bit 0/Factory Test (FT). This bit is used by the factory to place the DS3131 into the test mode. For normal device operation, this bit should be set to 0 whenever this register is written to.

Bit 1 to 15/Device Internal Test Bits. Bits 1 to 15 shown in the above table are for BoSS internal (Dallas Semiconductor) test use, not user test-mode controls. Values of these bits should always be 0. If any of these bits are set to 1 the device does not function properly.

6. LAYER 1

6.1 General Description

Each port on the DS3131 contains a dedicated bit-synchronous HDLC controller for that port. The Layer 1 block diagram in [Figure 6-1](#) provides a block level description of the Layer 1 circuitry on each port. Depending on the configuration, the DS3131 can have either 28 or 40 bit-synchronous HDLC interfaces ([Table 6-B](#)). [Figure 2-2](#) details the configurations shown in [Table 6-B](#).

Each of the 40 ports can be independently configured into a different mode. The ports are capable of operating at speeds up to 52MHz and are gapped clock tolerant. There are no restrictions on clock gapping as long as the minimum clock period and high and low times listed in [Section 13](#) are not violated. Each port is a simple synchronous serial interface where data is clock into the device using the RC input and clocked out of the device using the TC input. The transmit and receive timing is completely independent. Each port has an associated receive port control register (RP[n]CR, where n = 0 to 39) and a transmit port control register (TP[n]CR, where n = 0 to 39). These control registers control all of the circuitry in the Layer 1 block. See [Section 6.2](#) for details.

HDLC Channel Assignment

HDLC channel numbers are assigned as shown in [Table 6-A](#).

BERT Operation

The DS3131 contains an on-board full-featured BERT capable of generating and detecting both pseudorandom and repeating serial bit patterns. The BERT function is a shared resource among the 40 ports on the DS3131 and can only be assigned to one port at a time. The details on the BERT are covered in [Section 6.3](#).

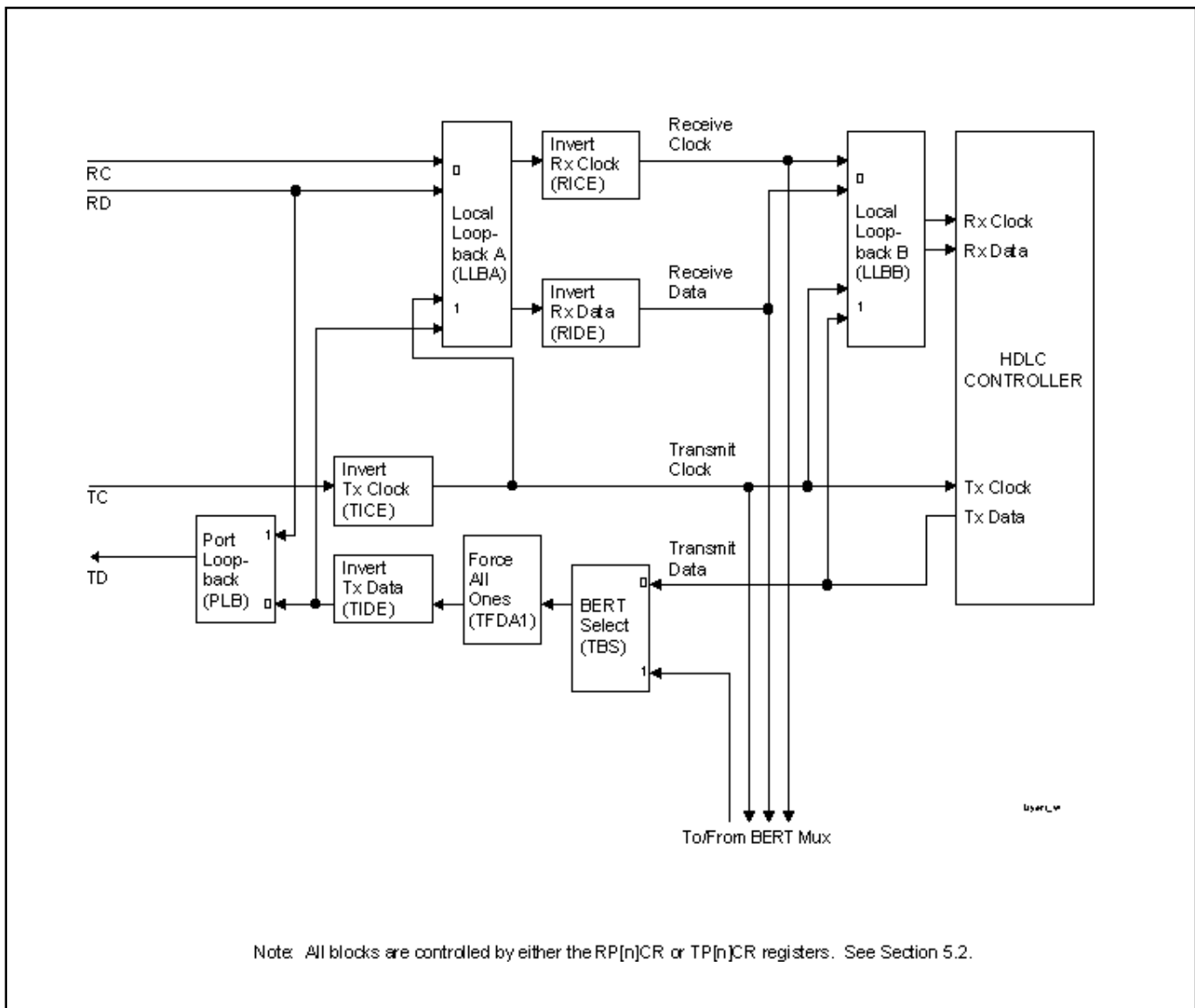
Table 6-A. HDLC Channel Assignment

PORT NUMBER	HDLC CHANNEL NUMBER
0	1
1	2
2	3
3	4
4	5
...	...
37	38
38	39
39	40

Table 6-B. Port Configuration Options

LOCAL BUS ENABLED?	NUMBER OF BIT-SYNCHRONOUS PORTS AVAILABLE
Yes	28
No	40

Figure 6-1. Layer 1 Port Interface Block Diagram



6.2 Port Register Descriptions

Receive Side Control Bits (one each for all 40 ports)

Register Name: **RP[n]CR, where n = 0 to 39 for each port**

Register Description: **Receive Port [n] Control Register**

Register Address: **See the Register Map in Section 4.**

Bit #	7	6	5	4	3	2	1	0
Name	reserved	reserved	reserved	reserved	reserved	reserved	RIDE	RICE
Default	0	0	0	0	0	0	0	0

Bit #	15	14	13	12	11	10	9	8
Name	reserved	reserved	reserved	reserved	LLBB	LLBA	reserved	reserved
Default	0	0	0	0	0	0	0	0

Note: Bits that are underlined are read-only; all other bits are read-write.

Bit 0/Invert Receive Clock Enable (RICE)

0 = do not invert clock (normal mode)

1 = invert clock (inverted clock mode)

Bit 1/Invert Receive Data Enable (RIDE)

0 = do not invert data (normal mode)

1 = invert data (inverted data mode)

Bit 10/Local Loopback A Enable (LLBA). This loopback routes transmit data back to the receive port close to the ports pins on the device ([Figure 6-1](#)).

0 = loopback disabled

1 = loopback enabled

Bit 11/Local Loopback B Enable (LLBB). This loopback route transmits data as it leaves the bit-synchronous HDLC controller back into the HDLC controller ([Figure 6-1](#)).

0 = loopback disabled

1 = loopback enabled

Transmit Side Control Bits (one each for all 40 ports)

Register Name: **TP[n]CR, where n = 0 to 39 for each port**
 Register Description: **Transmit Port [n] Control Register**
 Register Address: **See the Register Map in Section 4.**

Bit #	7	6	5	4	3	2	1	0
Name	reserved	reserved	reserved	reserved	TFDA1	reserved	TIDE	TICE
Default	0	0	0	0	0	0	0	0

Bit #	15	14	13	12	11	10	9	8
Name	reserved	reserved	reserved	reserved	TBS	PLB	reserved	reserved
Default	0	0	0	0	0	0	0	0

Note: Bits that are underlined are read-only; all other bits are read-write.

Bit 0/Invert Transmit Clock Enable (TICE)

- 0 = do not invert clock (normal clock mode)
- 1 = invert clock (inverted clock mode)

Bit 1/Invert Transmit Data Enable (TIDE)

- 0 = do not invert data (normal data mode)
- 1 = invert data (inverted data mode)

Bit 3/Force Data All Ones (TFDA1)

- 0 = force all data at TD to be 1
- 1 = allow data to be transmitted normally

Bit 10/Port Loopback Enable (PLB). This loopback routes the data incoming at the RD pin to the TD pin ([Figure 6-1](#)).

- 0 = loopback disabled
- 1 = loopback enabled

Bit 11/BERT Select (TBS). This select bit controls whether data is to be sourced from the HDLC controller or from the BERT block ([Figure 6-1](#)). See Section [6.3](#) for details on how to configure the operation of the BERT.

- 0 = source transmit data from the HDLC controller
- 1 = source transmit data from the BERT block

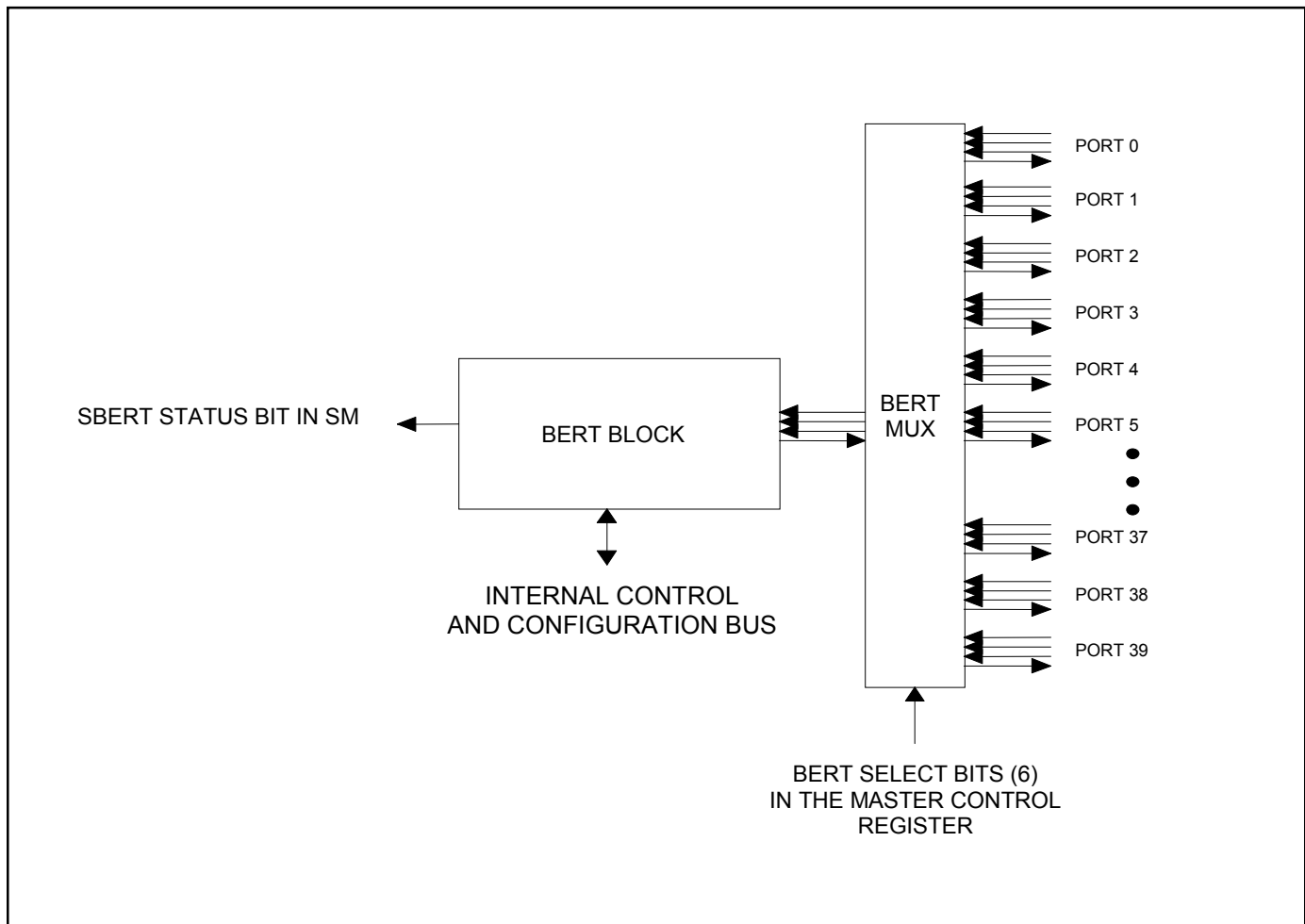
6.3 BERT

The BERT block is capable of generating and detecting the following patterns:

- The pseudorandom patterns 2E7, 2E11, 2E15, and QRSS
- A repetitive pattern from 1 to 32 bits in length
- Alternating (16-bit) words which flip every 1 to 256 words

The BERT receiver has a 32-bit bit counter and a 24-bit error counter. It can generate interrupts upon detecting a bit error, a change in synchronization, or if an overflow occurs in the bit and error counters. See Section 5 for details on status bits and interrupts from the BERT block. To activate the BERT block, the host must configure the BERT mux through the master control register (Figure 6-2); the TBS select bit in the TP[n]CR register must be set to 1 to have the BERT data appear at the TD pin (Section 6.2).

Figure 6-2. BERT Mux Diagram



6.4 BERT Register Description

Figure 6-3. BERT Register Set

BERTC0: BERT Control 0							LSB	
reserved	TINV	RINV	PS2	PS1	PS0	LC	RESYNC	
MSB								
IESYNC	IEBED	IEOF	reserved	RPL3	RPL2	RPL1	RPL0	
BERTC1: BERT Control 1								LSB
EIB2	EIB1	EIB0	SBE	reserved	reserved	reserved	TC	
MSB								
Alternating Word Count								
BERTRP0: BERT Repetitive Pattern Set 0 (lower word)							LSB	
BERT Repetitive Pattern Set (lower byte)								
MSB								
BERT Repetitive Pattern Set								
BERTRP1: BERT Repetitive Pattern Set 1 (upper word)							LSB	
BERT Repetitive Pattern Set								
MSB								
BERT Repetitive Pattern Set (upper byte)								
BERTBC0: BERT Bit Counter 0 (lower word)							LSB	
BERT 32-Bit Bit Counter (lower byte)								
MSB								
BERT 32-Bit Bit Counter								
BERTBC1: BERT Bit Counter 0 (upper word)							LSB	
BERT 32-Bit Bit Counter								
MSB								
BERT 32-Bit Bit Counter (upper byte)								
BERTEC0: BERT Error Counter 0/Status							LSB	
reserved	RA1	RA0	RLOS	BED	BBCO	BECO	SYNC	
MSB								
BERT 24-Bit Error Counter (lower byte)								
BERTEC1: BERT Error Counter 1 (upper word)							LSB	
BERT 24-Bit Error Counter								
MSB								
BERT 24-Bit Error Counter (upper byte)								

Register Name: **BERTC0**
 Register Description: **BERT Control Register 0**
 Register Address: **0500h**

Bit #	7	6	5	4	3	2	1	0
Name	reserved	TINV	RINV	PS2	PS1	PS0	LC	RESYNC
Default	0	0	0	0	0	0	0	0

Bit #	15	14	13	12	11	10	9	8
Name	IESYNC	IEBED	IEOF	reserved	RPL3	RPL2	RPL1	RPL0
Default	0	0	0	0	0	0	0	0

Note: Bits that are underlined are read-only; all other bits are read-write.

Bit 0/Force Resynchronization (RESYNC). A low-to-high transition forces the receive BERT synchronizer to resynchronize to the incoming data stream. This bit should be toggled from low to high whenever the host wishes to acquire synchronization on a new pattern. It must be cleared and set again for a subsequent resynchronization.
Note: Pattern selects bits PS0~2 must be set before resync.

Bit 1/Load Bit and Error Counters (LC). A low-to-high transition latches the current bit and error counts into the host accessible registers BERTBC and BERTEC and clears the internal count. This bit should be toggled from low to high whenever the host wishes to begin a new acquisition period. Must be cleared and set again for subsequent loads.

Bit 2/Pattern Select Bit 0 (PS0); Bit 3/Pattern Select Bit 1 (PS1); Bit 4/Pattern Select Bit 2 (PS2)

- 000 = pseudorandom pattern 2E7 - 1
- 001 = pseudorandom pattern 2E11 - 1
- 010 = pseudorandom pattern 2E15 - 1
- 011 = pseudorandom pattern QRSS (2E20 - 1 with a 1 forced, if the next 14 positions are 0)
- 100 = repetitive pattern
- 101 = alternating word pattern
- 110 = illegal state
- 111 = illegal state

Bit 5/Receive Invert Data Enable (RINV)

- 0 = do not invert the incoming data stream
- 1 = invert the incoming data stream

Bit 6/Transmit Invert Data Enable (TINV)

- 0 = do not invert the outgoing data stream
- 1 = invert the outgoing data stream

Bit 8/Repetitive Pattern Length Bit 0 (RPL0); Bit 9/Repetitive Pattern Length Bit 1 (RPL1); Bit 10/Repetitive Pattern Length Bit 2 (RPL2); Bit 11/Repetitive Pattern Length Bit 3 (RPL3). RPL0 is the LSB and RPL3 is the MSB of a nibble that describes the how long the repetitive pattern is. The valid range is 17 (0000) to 32 (1111). These bits are ignored if the receive BERT is programmed for a pseudorandom pattern. To create repetitive patterns less than 17 bits in length, the user must set the length to an integer number of the desired length that is less than or equal to 32. For example, to create a 6-bit pattern, the user can set the length to 18 (0001) or to 24 (0111) or to 30 (1101).

Repetitive Pattern Length Map

Length	Code	Length	Code	Length	Code	Length	Code
17 Bits	0000	18 Bits	0001	19 Bits	0010	20 Bits	0011
21 Bits	0100	22 Bits	0101	23 Bits	0110	24 Bits	0111
25 Bits	1000	26 Bits	1001	27 Bits	1010	28 Bits	1011
29 Bits	1100	30 Bits	1101	31 Bits	1101	32 Bits	1111

Bit 13/Interrupt Enable for Counter Overflow (IEOF). Allows the receive BERT to cause an interrupt if either the bit counter or the error counter overflows.

0 = interrupt masked

1 = interrupt enabled

Bit 14/Interrupt Enable for Bit Error Detected (IEBED). Allows the receive BERT to cause an interrupt if a bit error is detected.

0 = interrupt masked

1 = interrupt enabled

Bit 15/Interrupt Enable for Change-of-Synchronization Status (IESYNC). Allows the receive BERT to cause an interrupt if there is a change of state in the synchronization status (i.e., the receive BERT either goes into or out of synchronization).

0 = interrupt masked

1 = interrupt enabled

Register Name: **BERTC1**
 Register Description: **BERT Control Register 1**
 Register Address: **0504h**

Bit #	7	6	5	4	3	2	1	0
Name	EIB2	EIB1	EIB0	SBE	reserved	reserved	reserved	TC
Default	0	0	0	0	0	0	0	0

Bit #	15	14	13	12	11	10	9	8
Name	Alternating Word Count							
Default	0	0	0	0	0	0	0	0

Note: Bits that are underlined are read-only; all other bits are read-write.

Bit 0/Transmit Pattern Load (TC). A low-to-high transition loads the pattern generator with repetitive or pseudorandom pattern that is to be generated. This bit should be toggled from low to high whenever the host wishes to load a new pattern. Must be cleared and set again for subsequent loads.

Bit 4/Single Bit-Error Insert (SBE). A low-to-high transition creates a single bit error. Must be cleared and set again for a subsequent bit error to be inserted.

Bit 5/Error Insert Bit 0 (EIB0); Bit 6/Error Insert Bit 1 (EIB1); Bit 7/Error Insert Bit 2 (EIB2). Automatically inserts bit errors at the prescribed rate into the generated data pattern. Useful for verifying error detection operation.

EIB2	EIB1	EIB0	Error Rate Inserted
0	0	0	No errors automatically inserted
0	0	1	10E-1
0	1	0	10E-2
0	1	1	10E-3
1	0	0	10E-4
1	0	1	10E-5
1	1	0	10E-6
1	1	1	10E-7

Bits 8 to 15/Alternating Word Count Rate. When the BERT is programmed in the alternating word mode, the words repeat for the count loaded into this register, then flip to the other word and again repeat for the number of times loaded into this register. The valid count range is from 05h to FFh.

Register Name: **BERTBRP0**
 Register Description: **BERT Repetitive Pattern Set 0**
 Register Address: **0508h**

Register Name: **BERTBRP1**
 Register Description: **BERT Repetitive Pattern Set 1**
 Register Address: **050Ch**

BERTRP0: BERT Repetitive Pattern Set 0 (lower word)

Bit #	7	6	5	4	3	2	1	0
Name	BERT Repetitive Pattern Set (lower byte)							
Default	0	0	0	0	0	0	0	0

Bit #	15	14	13	12	11	10	9	8
Name	Bert Repetitive Pattern Set							
Default	0	0	0	0	0	0	0	0

BERTRP1: BERT Repetitive Pattern Set 1 (upper word)

Bit #	23	22	21	20	19	18	17	16
Name	BERT Repetitive Pattern Set							
Default	0	0	0	0	0	0	0	0

Bit #	31	30	29	28	27	26	25	24
Name	Bert Repetitive Pattern Set (upper byte)							
Default	0	0	0	0	0	0	0	0

Note: Bits that are underlined are read-only; all other bits are read-write.

Bits 0 to 31/BERT Repetitive Pattern Set (BERTRP0 and BERTRP1). These registers must be properly loaded for the BERT to properly generate and synchronize to either a repetitive pattern, a pseudorandom pattern, or an alternating word pattern. For a repetitive pattern that is less than 32 bits, the pattern should be repeated so that all 32 bits are used to describe the pattern. For example, if the pattern was the repeating 5-bit pattern ...01101... (where the right-most bit is one sent first and received first), then PBRP0 should be loaded with xB5AD and PBRP1 should be loaded with x5AD6. For a pseudorandom pattern, both registers should be loaded with all ones (i.e., xFFFF). For an alternating word pattern, one word should be placed into PBRP0 and the other word should be placed into PBRP1. For example, if the DDS stress pattern “7E” is to be described, the user would place x0000 in PBRP0 and x7E7E in PBRP1 and the alternating word counter would be set to 50 (decimal) to allow 100 Bytes of 00h followed by 100 Bytes of 7Eh to be sent and received.

Register Name: **BERTBC0**
 Register Description: **BERT 32-Bit Bit Counter (lower word)**
 Register Address: **0510h**

Register Name: **BERTBC1**
 Register Description: **BERT 32-Bit Bit Counter (upper word)**
 Register Address: **0514h**

BERTBC0: BERT Bit Counter 0 (lower word)

Bit #	7	6	5	4	3	2	1	0
Name	<u>BERT 32-Bit Bit Counter (lower byte)</u>							
Default	0	0	0	0	0	0	0	0

Bit #	15	14	13	12	11	10	9	8
Name	<u>BERT 32-Bit Bit Counter</u>							
Default	0	0	0	0	0	0	0	0

BERTBC1: BERT Bit Counter 0 (upper word)

Bit #	23	22	21	20	19	18	17	16
Name	<u>BERT 32-Bit Bit Counter</u>							
Default	0	0	0	0	0	0	0	0

Bit #	31	30	29	28	27	26	25	24
Name	<u>BERT 32-Bit Bit Counter (upper byte)</u>							
Default	0	0	0	0	0	0	0	0

Note: Bits that are underlined are read-only; all other bits are read-write.

Bits 0 to 31/BERT 32-Bit Bit Counter (BERTBC0 and BERTBC1). This 32-bit counter increments for each data bit (i.e., clock) received. This counter is not disabled when the receive BERT loses synchronization. This counter is loaded with the current bit count value when the LC control bit in the BERTC0 register is toggled from a low (0) to a high (1). When full, this counter saturates and sets the BBCO status bit.

Register Name: **BERTEC0**
 Register Description: **BERT 24-Bit Error Counter (lower) and Status Information**
 Register Address: **0518h**

Bit #	7	6	5	4	3	2	1	0
Name	reserved	<u>RA1</u>	<u>RA0</u>	<u>RLOS</u>	<u>BED</u>	<u>BBCO</u>	<u>BECO</u>	<u>SYNC</u>
Default	0	0	0	0	0	0	0	0

Bit #	15	14	13	12	11	10	9	8
Name	<u>BERT 24-Bit Error Counter (lower byte)</u>							
Default	0	0	0	0	0	0	0	0

Note: Bits that are underlined are read-only; all other bits are read-write.

Bit 0/Real-Time Synchronization Status (SYNC). Real-time status of the synchronizer (this bit is not latched). Is set when the incoming pattern matches for 32 consecutive bit positions. Is cleared when six or more bits out of 64 are received in error.

Bit 1/BERT Error Counter Overflow (BECO). A latched bit that is set when the 24-bit BERT error counter (BEC) overflows. Cleared when read and is not set again until another overflow occurs.

Bit 2/BERT Bit Counter Overflow (BBCO). A latched bit that is set when the 32-bit BERT bit counter (BBC) overflows. Cleared when read and is not set again until another overflow occurs.

Bit 3/Bit Error Detected (BED). A latched bit that is set when a bit error is detected. The receive BERT must be in synchronization for it to detect bit errors. Cleared when read.

Bit 4/Receive Loss of Synchronization (RLOS). A latched bit that is set whenever the receive BERT begins searching for a pattern. Once synchronization is achieved, this bit remains set until read.

Bit 5/Receive All Zeros (RA0). A latched bit that is set when 31 consecutive 0s are received. Allowed to be cleared once a 1 is received.

Bit 6/Receive All Ones (RA1). A latched bit that is set when 31 consecutive 1s are received. Allowed to be cleared once 0 is received.

Bits 8 to 15/BERT 24-Bit Error Counter (BEC). Lower word of the 24-bit error counter. See the BERTEC1 register description for details.

Register Name: **BERTEC1**
 Register Description: **BERT 24-Bit Error Counter (upper)**
 Register Address: **051Ch**

Bit #	7	6	5	4	3	2	1	0
Name	BERT 24-Bit Error Counter							
Default	0	0	0	0	0	0	0	0

Bit #	15	14	13	12	11	10	9	8
Name	<u>BERT 24-Bit Error Counter (upper byte)</u>							
Default	0	0	0	0	0	0	0	0

Note: Bits that are underlined are read-only; all other bits are read-write. default value for all bits is 0.

Bits 0 to 15/BERT 24-Bit Error Counter (BEC). Upper two words of the 24-bit error counter. This 24-bit counter increments for each data bit received in error. This counter is not disabled when the receive BERT loses synchronization. This counter is loaded with the current bit count value when the LC control bit in the BERTC0 register is toggled from a low (0) to a high (1). When full, this counter saturates and sets the BECO status bit.

7. HDLC

7.1 General Description

Each port on the DS3131 has a dedicated bit-synchronous HDLC controller that can operate up to 52Mbps. See [Figure 2-2](#) and [Figure 6-1](#). HDLC channel numbers are assigned as shown below in [Table 7-A](#).

Table 7-A. HDLC Channel Assignment

PORT NUMBER	HDLC CHANNEL NUMBER
0	1
1	2
2	3
3	4
4	5
...	...
37	38
38	39
39	40

7.2 HDLC Operation

The HDLC controllers can handle all normal real-time tasks required. [Table 7-C](#) lists all of the functions supported by the receive HDLC controller and [Table 7-D](#) lists all functions supported by the transmit HDLC controller. Each of the 40 HDLC channels within the BoSS are configured by the host through the receive HDLC control register (RH[n]CR) and transmit HDLC control register (TH[n]CR). There is a separate RHCR and THCR register for each HDLC channel; the host can access the respective RH[n]CR and TH[n]CR registers directly.

On the receive side, when the HDLC block is processing a packet, one of the outcomes shown in [Table 7-B](#) occurs. For each packet, one of these outcomes is reported in the receive done-queue descriptor. (See Section [9.2.4](#) for details.) On the transmit side, when the HDLC block is processing a packet, an error in the PCI block (parity or target abort) or transmit FIFO underflow causes the HDLC block to send an abort sequence (eight 1s in a row) followed continuously by the selected interfill (either 7Eh or FFh) until the HDLC channel is reset by the transmit DMA block (Section [9.3.1](#)). This same sequence of events occurs even if the transmit HDLC channel is operating in the transparent mode. If the FIFO is empty, the interfill byte (either 7Eh or FFh) is sent until an outgoing packet is ready for transmission.

Table 7-B. Receive Bit-Synchronous HDLC Packet Processing Outcomes

OUTCOME	CRITERIA
EOF/Normal Packet	Integral number of packets > min and < max is received and CRC is okay
EOF/Bad FCS	Integral number of packets > min and < max is received and CRC is bad
Abort Detected	Seven or more 1s in a row detected
EOF/Too Few Bytes	Less than the packet minimum is received (if detection enabled)
Too Many Bytes	Greater than the packet maximum is received (if detection enabled)
EOF/Bad Number of Bits	Not an integral number of bytes received
FIFO Overflow	Tried to write a byte into an already full FIFO

Note: EOF = End of Frame, which means that this outcome is not determined until a closing flag is detected.

If any of the 40 receive HDLC channels detects an abort sequence, a FCS checksum error, or if the packet length was incorrect, then the appropriate status bit in the status register for DMA (SDMA) is set. If enabled, the setting of any of these statuses can cause a hardware interrupt to occur. See Section [5.3.2](#) for details about the operation of these status bits.

Table 7-C. Receive Bit-Synchronous HDLC Functions

Zero Destuff	This operation is disabled if the channel is set to transparent mode.
Flag Detection and Byte Alignment	Okay to have two packets separated by only one flag or by two flags sharing 0. This operation is disabled if the channel is set to transparent mode.
Octet Length Check	The maximum check is programmable up to 65,536 Bytes through the RHPL register. The maximum check can be disabled through the ROLD control bit in the RHCR register. The minimum and maximum counts include the FCS. An error is also reported if a noninteger number of octets occur between flags.
CRC Check	Can be either set to CRC-16 or CRC-32 or none. The CRC can be passed through to the PCI bus or not. The CRC check is disabled if the channel is set to transparent mode.
Abort Detection	Checks for seven or more 1s in a row.
Invert Data	All data (including the flags and FCS) is inverted before HDLC processing. Also available in the transparent mode.
Bit Flip	The first bit received becomes either the LSB (normal mode) or the MSB (telecom mode) of the byte stored in the FIFO. Also available in the transparent mode.
Transparent Mode	If enabled, flag detection, zero destuffing, abort detection, length checking, and FCS checking are disabled. Data is passed to the PCI bus on octet (byte) boundaries in unchannelized operation.

Table 7-D. Transmit Bit-Synchronous HDLC Functions

Zero Stuffing	Only used between opening and closing flags. Is disabled in between a closing flag and an opening flag and for sending aborts and/or interfill data. Disabled if the channel is set to the transparent mode.
Interfill Selection	Can be either 7Eh or FFh.
Flag Generation	A programmable number of flags (1 to 16) can be set between packets. Disabled if the channel is set to the transparent mode.
CRC Generation	Can be either CRC-16 or CRC-32 or none. Disabled if the channel is set to transparent mode.
Invert Data	All data (including the flags and FCS) is inverted after processing. Also available in the transparent mode.
Bit Flip	The LSB (normal mode) of the byte from the FIFO becomes the first bit sent or the MSB (telecom mode) becomes the first bit sent. Also available in the transparent mode.
Transparent Mode	If enabled, flag generation, zero stuffing, and FCS generation is disabled. Passes bytes from the PCI Bus to Layer 1 on octet (byte) boundaries.
Invert FCS	When enabled, it inverts all of the bits in the FCS (useful for HDLC testing).

7.3 Bit-Synchronous HDLC Register Description

Register Name: **RH[n]CR, where n= 0 to 39 (one for each port)**

Register Description: **Receive HDLC Port [n] Control Register**

Register Address: **See the Register Map in Section 4.5.**

Bit #	7	6	5	4	3	2	1	0
Name	RABTD	RCS	RBF	RID	RCRC1	RCRC0	ROLD	RTRANS
Default	0	0	0	0	0	0	0	0

Bit #	15	14	13	12	11	10	9	8
Name	reserved	reserved	reserved	reserved	reserved	reserved	RPEN	RZDD
Default	0	0	0	0	0	0	0	0

Note: Bits that are underlined are read-only; all other bits are read-write.

Bit 0/Receive Transparent Enable (RTRANS). When this bit is set low, the HDLC controller performs flag delineation, zero destuffing, abort detection, octet length checking (if enabled via ROLD), and FCS checking (if enabled via RCRC0/1). When this bit is set high, the HDLC controller does not perform flag delineation, zero destuffing, and abort detection, octet length checking, or FCS checking. When in transparent mode, the device must not be configured to write done-queue descriptors *only* at the end of a packet if it is desired that done-queue descriptors be written; there is not an end of packet on the receive side in transparent mode by definition. For more information about done-queue configuration, see Section 9.3.5: dword 1, Bit 1/Done Queue Select (DQS). Please note that an end of packet does not occur on the receive side while in transparent mode.

0 = transparent mode disabled

1 = transparent mode enabled

Bit 1/Receive Maximum Octet Length-Detection Enable (ROLD). When this bit is set low, the HDLC controller does not check to see if the octet length of the received packets exceeds the count loaded into the receive HDLC packet length (RHPL) register. When this bit is set high, the HDLC controller checks to see if the octet length of the received packets exceeds the count loaded into the RHPL register. When an incoming packet exceeds the maximum length, the packet is aborted and the remainder is discarded. This bit is ignored if the HDLC channel is set to transparent mode (RTRANS = 1).

0 = octet length detection disabled

1 = octet length detection enabled

Bits 2, 3/Receive CRC Selection (RCRC0/RCRC1). These two bits are ignored if the HDLC channel is set into transparent mode (RTRANS = 1).

RCRC1	RCRC0	ACTION
0	0	No CRC verification performed
0	1	16-bit CRC (CCITT/ITU Q.921)
1	0	32-bit CRC
1	1	Illegal state

Bit 4/Receive Invert Data Enable (RID). When this bit is set low, the incoming HDLC packets are not inverted before processing. When this bit is set high, the HDLC controller inverts all the data (flags, information fields, and FCS) before processing the data. The data is not reinverted before passing to the FIFO.

0 = do not invert data

1 = invert all data (including flags and FCS)

Bit 5/Receive Bit Flip (RBF). When this bit is set low, the HDLC controller places the first HDLC bit received in the lowest bit position of the PCI bus bytes (i.e., PAD[0], PAD[8], PAD[16], PAD[24]). When this bit is set high, the HDLC controller places the first HDLC bit received in the highest bit position of the PCI bus bytes (i.e., PAD[7], PAD[15], PAD[23], PAD[31]).

0 = the first HDLC bit received is placed in the lowest bit position of the bytes on the PCI bus

1 = the first HDLC bit received is placed in the highest bit position of the bytes on the PCI bus

Bit 6/Receive CRC Strip Enable (RCS). When this bit is set high, the FCS is not transferred through to the PCI bus. When this bit is set low, the HDLC controller includes the 2-Byte FCS (16-bit) or 4-Byte FCS (32-bit) in the data that it transfers to the PCI bus. This bit is ignored if the HDLC channel is set into transparent mode (RTRANS = 1).

0 = send FCS to the PCI bus

1 = do not send the FCS to the PCI bus

Bit 7/Receive Abort Disable (RABTD). When this bit is set low, the HDLC controller examines the incoming data stream for the abort sequence, which is seven or more consecutive 1s. When this bit is set high, the incoming data stream is not examined for the abort sequence, and, if an incoming abort sequence is received, no action is taken. This bit is ignored when the HDLC controller is configured in the transparent mode (RTRANS = 1).

0 = abort detection enabled

1 = abort detection disabled

Bit 8/Receive Zero Destuffing Disable (RZDD). When this bit is set low, the HDLC controller zero destuffs the incoming data stream. When this bit is set high, the HDLC controller does not zero destuff the incoming data stream. This bit is ignored when the HDLC controller is configured in the transparent mode (RTRANS = 1).

0 = zero destuffer enabled

1 = zero destuffer disabled

Bit 9/Receive Port Enable (RPEN). When this bit is set low, the receive port is disabled. When this bit is set high, the receive port is enabled. By default, this bit defaults the port in an off state (RPEN = 0).

0 = port disabled (default)

1 = port enabled

Register Name: **RHPL**
 Register Description: **Receive HDLC Maximum Packet Length**
 Register Address: **03A0h**

Bit #	7	6	5	4	3	2	1	0
Name	RHPL7	RHPL6	RHPL5	RHPL4	RHPL3	RHPL2	RHPL1	RHPL0
Default	0	0	0	0	0	0	0	0

Bit #	15	14	13	12	11	10	9	8
Name	RHPL15	RHPL14	RHPL13	RHPL12	RHPL11	RHPL10	RHPL9	RHPL8
Default	0	0	0	0	0	0	0	0

Note: Bits that are underlined are read-only; all other bits are read-write.

Bits 0 to 15/Receive Bit-Synchronous HDLC Maximum Packet Length (RHPL0 to RHPL15). If the receive octet length-detection enable (ROLD) bit is set to 1, the HDLC controller checks the number of received octets in a packet to see if they exceed the count in this register. If the length is exceeded, the packet is aborted and the remainder is discarded. The definition of “octet length” is everything between the opening and closing flags which includes the address field, control field, information field, and FCS.

Register Name: **TH[n]CR, where n = 0 to 39 (one for each port)**
 Register Description: **Transmit HDLC Port [n] Control Register**
 Register Address: **See the Register Map in Section 4.6.**

Bit #	7	6	5	4	3	2	1	0
Name	TABTE	TCFCS	TBF	TID	TCRC1	TCRC0	TIFS	TTRANS
Default	0	0	0	0	0	0	0	0

Bit #	15	14	13	12	11	10	9	8
Name	reserved	reserved	reserved	TZSD	TFG3	TFG2	TFG1	TFG0
Default	0	0	0	0	0	0	0	0

Note: Bits that are underlined are read-only, all other bits are read-write.

Bit 0/Transmit Transparent Enable (TTRANS). When this bit is set low, the HDLC controller generates flags and the FCS (if enabled through TCRC0/1) and performs zero stuffing. When this bit is set high, the HDLC controller does not generate flags or the FCS and does not perform zero stuffing.

0 = transparent mode disabled

1 = transparent mode enabled

Bit 1/Transmit Interfill Select (TIFS)

0 = the interfill byte is 7Eh (01111110)

1 = the interfill byte is FFh (11111111)

Bits 2, 3/Transmit CRC Selection (TCRC0/TCRC1). These bits are ignored if the HDLC channel is set to transparent mode (TTRANS = 1).

TCRC1	TCRC0	ACTION
0	0	No CRC is generated
0	1	16-bit CRC (CCITT/ITU Q.921)
1	0	32-bit CRC
1	1	Illegal state

Bit 4/Transmit Invert Data Enable (TID). When this bit is set low, the outgoing HDLC packets are not inverted after being generated. When this bit is set high, the HDLC controller inverts all the data (flags, information fields, and FCS) after the packet has been generated.

0 = do not invert data

1 = invert all data (including flags and FCS)

Bit 5/Transmit Bit Flip (TBF). When this bit is set low, the HDLC controller obtains the first HDLC bit to be transmitted from the lowest bit position of the PCI bus bytes (i.e., PAD[0], PAD[8], PAD[16], PAD[24]). When this bit is set high, the HDLC controller obtains the first HDLC bit to be transmitted from the highest bit position of the PCI bus bytes (i.e., PAD[7], PAD[15], PAD[23], PAD[31]).

0 = the first HDLC bit transmitted is obtained from the lowest bit position of the bytes on the PCI bus

1 = the first HDLC bit transmitted is obtained from the highest bit position of the bytes on the PCI bus

Bit 6/Transmit Corrupt FCS (TCFCS). When this bit is set low, the HDLC controller allows the frame checksum sequence (FCS) to be transmitted as generated. When this bit is set high, the HDLC controller inverts all the bits of the FCS before transmission occurs. This is useful in debugging and testing HDLC channels at the system level.

0 = generate FCS normally

1 = invert all FCS bits

Bit 7/Transmit Abort Enable (TABTE). When this bit is set low, the HDLC controller performs normally, only sending an abort sequence (eight 1s in a row) when an error occurs in the PCI block or the FIFO underflows. When this bit is set high, the HDLC controller continuously transmits an all-ones pattern (i.e., an abort sequence). This bit is still active when the HDLC controller is configured in the transparent mode (TTRANS = 1).

0 = normal generation of abort

1 = constant abort generated

Bits 8 to 11/Transmit Flag Generation Bits 0 to 3 (TFG0/TFG1/TFG2/TFG3). These four bits determine how many flags and interfill bytes are sent in between consecutive packets.

TFG3	TFG2	TFG1	TFG0	ACTION
0	0	0	0	Share closing and opening flag
0	0	0	1	Closing flag/no interfill bytes/opening flag
0	0	1	0	Closing flag/1 interfill byte/opening flag
0	0	1	1	Closing flag/2 interfill bytes/opening flag
0	1	0	0	Closing flag/3 interfill bytes/opening flag
0	1	0	1	Closing flag/4 interfill bytes/opening flag
0	1	1	0	Closing flag/5 interfill bytes/opening flag
0	1	1	1	Closing flag/6 interfill bytes/opening flag
1	0	0	0	Closing flag/7 interfill bytes/opening flag
1	0	0	1	Closing flag/8 interfill bytes/opening flag
1	0	1	0	Closing flag/9 interfill bytes/opening flag
1	0	1	1	Closing flag/10 interfill bytes/opening flag
1	1	0	0	Closing flag/11 interfill bytes/opening flag
1	1	0	1	Closing flag/12 interfill bytes/opening flag
1	1	1	0	Closing flag/13 interfill bytes/opening flag
1	1	1	1	Closing flag/14 interfill bytes/opening flag

Bit 12/Transmit Zero Stuffing Disable (TZSD). When this bit is set low, the HDLC controller performs zero stuffing on the outgoing data stream. When this bit is set high, the outgoing data stream is not zero stuffed. This bit is ignored when the HDLC controller is configured in the transparent mode (TTRANS = 1).

0 = zero stuffing enabled

1 = zero stuffing disabled

8. FIFO

8.1 General Description and Example

The BoSS contains one 8kB FIFO for the receive path and another 8kB FIFO for the transmit path. Both of these FIFOs are organized into blocks. Since a block is defined as 4 dwords (16 Bytes), each FIFO is made up of 512 blocks. [Figure 8-1](#) shows an FIFO example.

The FIFO contains a state machine that is constantly polling the 40 ports to determine if any data is ready for transfer to/from the FIFO from/to the HDLC engines. The 40 ports are priority decoded with Port 0 getting the highest priority and Port 39 getting the lowest priority. Therefore, all of the enabled HDLC channels on the lower numbered ports are serviced before the higher numbered ports. As long as the maximum throughput rate of 132Mbps is not exceeded, the DS3131 ensures that there is enough bandwidth in this transfer to prevent any data loss between the HDLC engines and the FIFO.

The FIFO also controls which HDLC channel the DMA should service to read data out of the FIFO on the receive side and to write data into the FIFO on the transmit side. Which channel gets the highest priority from the FIFO is configurable through some control bits in the Master Configuration (MC) register ([Section 5.2](#)). There are two control bits for the receive side (RFPC0 and RFPC1) and two control bits for the transmit side (TFPC0 and TFPC1) that will determine the priority algorithm as shown in [Table 8-A](#). When an HDLC channel is priority decoded, the lower the number of the HDLC channel, generally the higher the priority. Options 3 and 4 in [Table 8-A](#) are exceptions to this rule since they are priority decoded in reverse order; the round robin decodes in options 3 and 4 are standard with respect to lower channel numbers receiving higher priority than subsequent channels.

Table 8-A. FIFO Priority Algorithm Select

OPTION	HDLC CHANNELS THAT ARE PRIORITY DECODED	HDLC CHANNELS THAT ARE SERVICED ROUND ROBIN
1	None	Decode 1 up to 40
2	Decode 1 to 2	Then 3 up to 40
3	Decode 4, 3, 2, then 1	Then 5 up to 40
4	Decode 16, 15, 14, . . . then 1	Then 17 up to 40

To maintain maximum flexibility for channel reconfiguration, each block within the FIFO can be assigned to any of the 40 HDLC channels. Also, blocks are link-listed together to form a chain whereby each block points to the next block in the chain. The minimum size of the link-listed chain is 4 blocks (64 Bytes) and the maximum is the full size of the FIFO, which is 512 blocks.

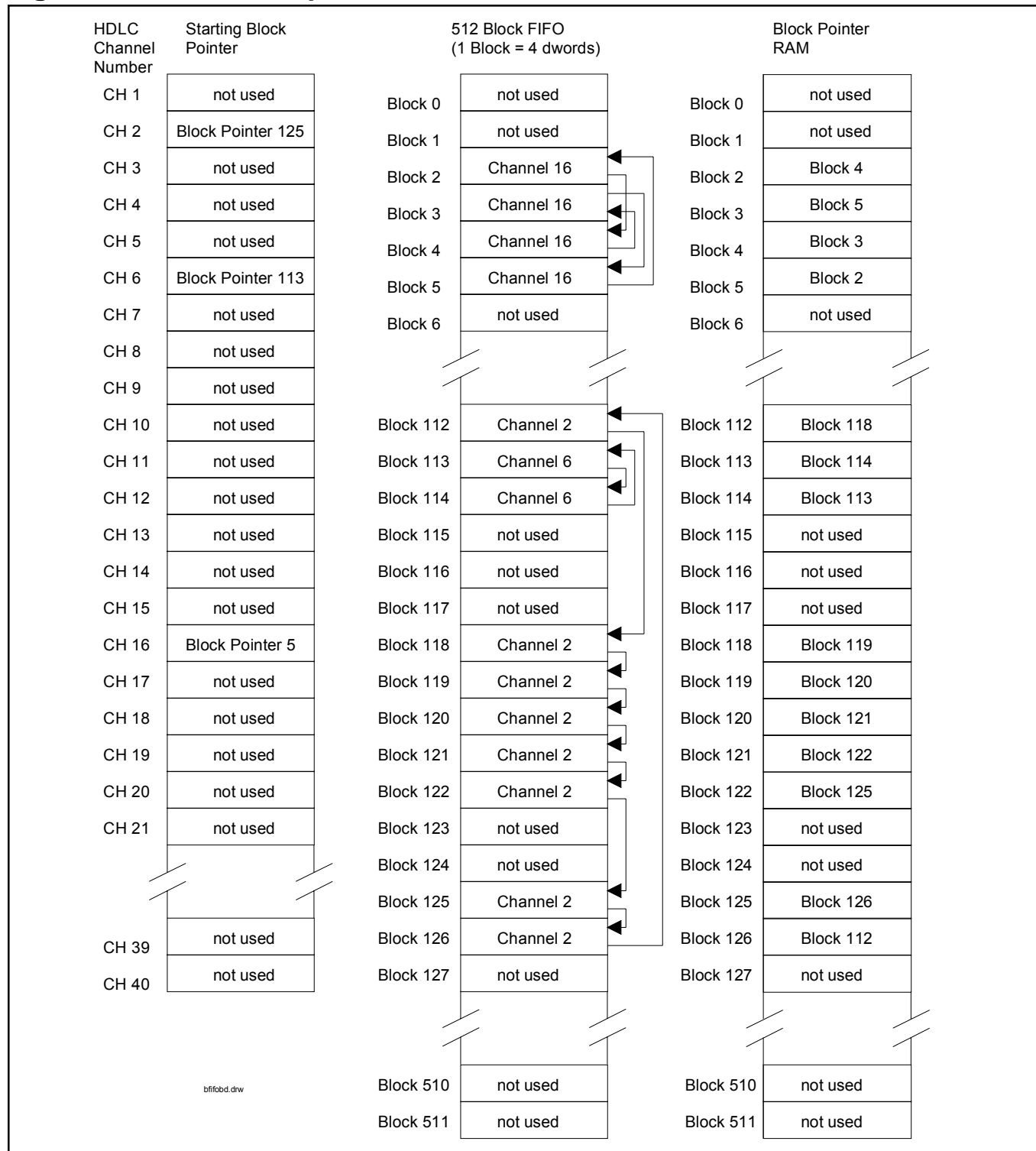
To assign a set of blocks to a particular HDLC channel, the host must configure the starting block pointer and the block pointer RAM. The starting block pointer assigns a particular HDLC channel to a set of link-listed blocks by pointing to one of the blocks within the chain (it does not matter which block in the chain is pointed to). The block pointer RAM must be configured for each block that is being used within the FIFO. The block pointer RAM indicates the next block in the link-listed chain.

[Figure 8-1](#) shows an example of how to configure the starting block pointer and the block pointer RAM. In this example, only three HDLC channels are being used (channels 2, 6, and 16). The device knows that channel 2 has been assigned to the eight link-listed blocks of 112, 118, 119, 120, 121, 122, 125, and 126 because a block pointer of 125 has been programmed into the channel 2 position of the starting

block pointer. The block pointer RAM tells the device how to link the eight blocks together to form a circular chain.

The host must set the watermarks for the receive and transmit paths. The receive path has a high watermark and the transmit path has a low watermark.

Figure 8-1. FIFO Example



8.1.1 Receive High Watermark

The high watermark tells the device how many blocks should be written into the receive FIFO by the HDLC controllers before the DMA begins sending the data to the PCI bus, or rather, how full the FIFO should get before it should be emptied by the DMA. When the DMA begins reading the data from the FIFO, it reads all available data and tries to completely empty the FIFO even if one or more EOFs (end of frames) are detected. For example, if four blocks were link-listed together and the host programmed the high watermark to three blocks, then the DMA would read the data out of the FIFO and transfer it to the PCI bus after the HDLC controller had written three complete blocks in succession into the FIFO and still had one block left to fill. The DMA would not read the data out of the FIFO again until another three complete blocks had been written into the FIFO in succession by the HDLC controller or until an EOF was detected. In this example of four blocks being link-listed together, the high watermark could also be set to 1 or 2, but no other values would be allowed; the maximum value of the high watermark is the size of the FIFO - 2. If an incoming packet does not fill the FIFO enough to reach the high watermark before an EOF is detected, the DMA still requests that the data be sent to the PCI bus; it does not wait for additional data to be written into the FIFO by the HDLC controllers.

8.1.2 Transmit Low Watermark

The low watermark tells the device how many blocks should be left in the FIFO before the DMA should begin getting more data from the PCI bus, or rather, how empty the FIFO should get before it should be filled again by the DMA. When the DMA begins reading the data from the PCI bus, it reads all available data and tries to completely fill the FIFO even if one or more EOFs (HDLC packets) are detected. For example, if five blocks were link-listed together and the host programmed the low watermark to two blocks, then the DMA would read the data from the PCI bus and transfer it to the FIFO after the HDLC controller has read three complete blocks in succession from the FIFO and, therefore, still had two blocks left before the FIFO was empty. The DMA would not read the data from the PCI bus again until another three complete blocks had been read from the FIFO in succession by the HDLC controllers. In this example of five blocks being link-listed together, the low watermark could also be set to any value from 1 to 4 (inclusive) but no other values would be allowed. When a new packet is written into a completely empty FIFO by the DMA, the HDLC controllers wait until the FIFO fills beyond the low watermark or until an EOF is seen before reading the data out of the FIFO.

8.2 FIFO Register Description

Register Name: **RFSBPIS**
 Register Description: **Receive FIFO Starting Block Pointer Indirect Select**
 Register Address: **0900h**

Bit #	7	6	5	4	3	2	1	0
Name	reserved	reserved	HCID5	HCID4	HCID3	HCID2	HCID1	HCID0
Default	0	0	0	0	0	0	0	0

Bit #	15	14	13	12	11	10	9	8
Name	<u>IAB</u>	IARW	reserved	reserved	reserved	reserved	reserved	reserved
Default	0	0	0	0	0	0	0	0

Note: Bits that are underlined are read-only; all other bits are read-write.

Bits 0 to 5/HDLC Channel ID (HCID0 to HCID5)

000000 (00h) = HDLC channel number 1

100111 (27h) = HDLC channel number 40

Bit 14/Indirect Access Read/Write (IARW). When the host wishes to read data from the current internal receive block pointer, the host should write this bit to 1. This causes the device to begin obtaining the data from the channel location indicated by the HCID bits. During the read access, the IAB bit is set to 1. Once the data is ready to be read from the RFSBP register, the IAB bit is set to 0. When the host wishes to write data to set the internal receive starting block pointer, the host should write this bit to 0. This causes the device to take the data that is currently present in the RFSBP register and write it to the channel location indicated by the HCID bits. When the device has completed the write, the IAB is set to 0.

Bit 15/Indirect Access Busy (IAB). When an indirect read or write access is in progress, this read-only bit is set to 1. During a read operation, this bit is set to 1 until the data is ready to be read. It is set to 0 when the data is ready to be read. During a write operation, this bit is set to 1 while the write is taking place. It is set to 0 once the write operation has completed.

Register Name: **RFSBP**
 Register Description: **Receive FIFO Starting Block Pointer**
 Register Address: **0904h**

Bit #	7	6	5	4	3	2	1	0
Name	RSBP7	RSBP6	RSBP5	RSBP4	RSBP3	RSBP2	RSBP1	RSBP0
Default								

Bit #	15	14	13	12	11	10	9	8
Name	reserved	reserved	reserved	reserved	reserved	reserved	reserved	<u>RSBP8</u>
Default								

Note: Bits that are underlined are read-only; all other bits are read-write.

Bits 0 to 8/Starting Block Pointer (RSBP0 to RSBP8). These bits determine which of the 512 blocks within the receive FIFO the host wants the device to configure as the starting block for a particular HDLC channel. Any of the blocks within a chain of blocks for an HDLC channel can be configured as the starting block. When these nine bits are read, they report the current block pointer being used to write data into the receive FIFO from the HDLC controllers.

000000000 (000h) = use block 0 as the starting block

111111111 (1ffh) = use block 511 as the starting block

Register Name: **RFBPIS**
 Register Description: **Receive FIFO Block Pointer Indirect Select**
 Register Address: **0910h**

Bit #	7	6	5	4	3	2	1	0
Name	<u>BLKID7</u>	<u>BLKID6</u>	<u>BLKID5</u>	<u>BLKID4</u>	<u>BLKID3</u>	<u>BLKID2</u>	<u>BLKID1</u>	<u>BLKID0</u>
Default	0	0	0	0	0	0	0	0

Bit #	15	14	13	12	11	10	9	8
Name	<u>IAB</u>	<u>IARW</u>	reserved	reserved	reserved	reserved	reserved	<u>BLKID8</u>
Default	0	0	0	0	0	0	0	0

Note: Bits that are underlined are read-only; all other bits are read-write.

Bits 0 to 8/Block ID (BLKID0 to BLKID8)

00000000 (000h) = block number 0

11111111 (1ffh) = block number 511

Bit 14/Indirect Access Read/Write (IARW). When the host wishes to read data from the internal receive block pointer RAM, the host should write this bit to 1. This causes the device to begin obtaining the data from the block location indicated by the BLKID bits. During the read access, the IAB bit is set to 1. Once the data is ready to be read from the RFBP register, the IAB bit is set to 0. When the host wishes to write data to the internal receive block pointer RAM, this bit should be written to 0 by the host. This causes the device to take the data that is currently present in the RFBP register and write it to the channel location indicated by the BLKID bits. When the device has completed the write, the IAB is set to 0.

Bit 15/Indirect Access Busy (IAB). When an indirect read or write access is in progress, this read-only bit is set to 1. During a read operation, this bit is set to 1 until the data is ready to be read. It is set to 0 when the data is ready to be read. During a write operation, this bit is set to 1 while the write is taking place. It is set to 0 once the write operation has completed.

Register Name: **RFBP**
 Register Description: **Receive FIFO Block Pointer**
 Register Address: **0914h**

Bit #	7	6	5	4	3	2	1	0
Name	<u>RBP7</u>	<u>RBP6</u>	<u>RBP5</u>	<u>RBP4</u>	<u>RBP3</u>	<u>RBP2</u>	<u>RBP1</u>	<u>RBP0</u>
Default								

Bit #	15	14	13	12	11	10	9	8
Name	reserved	reserved	reserved	reserved	reserved	reserved	<u>RBP9</u>	<u>RBP8</u>
Default								

Note: Bits that are underlined are read-only, all other bits are read-write.

Bits 0 to 8/Block Pointer (RBP0 to RBP8). These bits indicate which of the 512 blocks is the next block in the link-list chain. A block is not allowed to point to itself.

00000000 (000h) = block 0 is the next linked block

11111111 (1ffh) = block 511 is the next linked block

Register Name: **RFHWMIS**
 Register Description: **Receive FIFO High-Watermark Indirect Select**
 Register Address: **0920h**

Bit #	7	6	5	4	3	2	1	0
Name	reserved	reserved	HCID5	HCID4	HCID3	HCID2	HCID1	HCID0
Default	0	0	0	0	0	0	0	0

Bit #	15	14	13	12	11	10	9	8
Name	IAB	IARW	reserved	reserved	reserved	reserved	reserved	reserved
Default		0	0	0	0	0	0	0

Note: Bits that are underlined are read-only; all other bits are read-write.

Bits 0 to 5/HDLC Channel ID (HCID0 to HCID5)

000000 (00h) = HDLC channel number 1

100111 (27h) = HDLC channel number 40

Bit 14/Indirect Access Read/Write (IARW). When the host wishes to read data from the internal receive high-watermark RAM, this bit should be written to 1 by the host. This causes the device to begin obtaining the data from the channel location indicated by the HCID bits. During the read access, the IAB bit is set to 1. Once the data is ready to be read from the RFHWM register, the IAB bit is set to 0. When the host wishes to write data to the internal receive high-watermark RAM, this bit should be written to 0 by the host. This causes the device to take the data that is currently present in the RFHWM register and write it to the channel location indicated by the HCID bits. When the device has completed the write, the IAB is set to 0.

Bit 15/Indirect Access Busy (IAB). When an indirect read or write access is in progress, this read-only bit is set to 1. During a read operation, this bit is set to 1 until the data is ready to be read. It is set to 0 when the data is ready to be read. During a write operation, this bit is set to 1 while the write is taking place. It is set to 0 once the write operation has completed.

Register Name: **RFHWM**
 Register Description: **Receive FIFO High Watermark**
 Register Address: **0924h**

Bit #	7	6	5	4	3	2	1	0
Name	RHWM7	RHWM6	RHWM5	RHWM4	RHWM3	RHWM2	RHWM1	RHWM0
Default								

Bit #	15	14	13	12	11	10	9	8
Name	reserved	reserved	reserved	reserved	reserved	reserved	reserved	RHWM8
Default								

Note: Bits that are underlined are read-only; all other bits are read-write.

Bits 0 to 8/High Watermark (RHWM0 to RHWM8). These bits indicate the setting of the receive high-watermark. The high-watermark setting is the number of successive blocks that the HDLC controller writes to the FIFO before the DMA sends the data to the PCI bus. The high-watermark setting must be between (inclusive) one block and one less than the number of blocks in the link-list chain for the particular channel involved. For example, if four blocks are linked together, the high watermark can be set to either 1, 2, or 3.

000000000 (000h) = invalid setting

000000001 (001h) = high watermark is 1 block

000000010 (002h) = high watermark is 2 blocks

111111111 (1ffh) = high watermark is 511 blocks

Register Name: **TFSBPIS**
 Register Description: **Transmit FIFO Starting Block Pointer Indirect Select**
 Register Address: **0980h**

Bit #	7	6	5	4	3	2	1	0
Name	reserved	reserved	HCID5	HCID4	HCID3	HCID2	HCID1	HCID0
Default	0	0	0	0	0	0	0	0

Bit #	15	14	13	12	11	10	9	8
Name	IAB	IARW	reserved	reserved	reserved	reserved	reserved	reserved
Default	0	0	0	0	0	0	0	0

Note: Bits that are underlined are read-only; all other bits are read-write.

Bits 0 to 5/HDLC Channel ID (HCID0 to HCID5)

000000 (00h) = HDLC channel number 1

100111 (27h) = HDLC channel number 40

Bit 14/Indirect Access Read/Write (IARW). When the host wishes to read data from the current internal transmit block pointer, this bit should be written to 1 by the host. This causes the device to begin obtaining the data from the channel location indicated by the HCID bits. During the read access, the IAB bit is set to 1. Once the data is ready to be read from the TFSBP register, the IAB bit is set to 0. When the host wishes to write data to the internal transmit starting block pointer RAM, this bit should be written to 0 by the host. This causes the device to take the data that is currently present in the TFSBP register and write it to the channel location indicated by the HCID bits. When the device has completed the write, the IAB is set to 0.

Bit 15/Indirect Access Busy (IAB). When an indirect read or write access is in progress, this read-only bit is set to 1. During a read operation, this bit is set to 1 until the data is ready to be read. It is set to 0 when the data is ready to be read. During a write operation, this bit is set to 1 while the write is taking place. It is set to 0 once the write operation has completed.

Register Name: **TFSBP**
 Register Description: **Transmit FIFO Starting Block Pointer**
 Register Address: **0984h**

Bit #	7	6	5	4	3	2	1	0
Name	TSBP7	TSBP6	TSBP5	TSBP4	TSBP3	TSBP2	TSBP1	TSBP0
Default								

Bit #	15	14	13	12	11	10	9	8
Name	reserved	reserved	reserved	reserved	reserved	reserved	reserved	TSBP8
Default								

Note: Bits that are underlined are read-only; all other bits are read-write.

Bits 0 to 8/Starting Block Pointer (TSBP0 to TSBP8). These bits determine which of the 512 blocks within the transmit FIFO the host wants the device to configure as the starting block for a particular HDLC channel. Any of the blocks within a chain of blocks for an HDLC channel can be configured as the starting block. When these nine bits are read, they report the current block pointer being used to read data from the transmit FIFO by the HDLC controllers.

000000000 (000h) = use block 0 as the starting block

111111111 (1ffh) = use block 511 as the starting block

Register Name: **TFBPIS**
 Register Description: **Transmit FIFO Block Pointer Indirect Select**
 Register Address: **0990h**

Bit #	7	6	5	4	3	2	1	0
Name	<u>BLKID7</u>	<u>BLKID6</u>	<u>BLKID5</u>	<u>BLKID4</u>	<u>BLKID3</u>	<u>BLKID2</u>	<u>BLKID1</u>	<u>BLKID0</u>
Default	0	0	0	0	0	0	0	0

Bit #	15	14	13	12	11	10	9	8
Name	<u>IAB</u>	<u>IARW</u>	reserved	reserved	reserved	reserved	reserved	<u>BLKID8</u>
Default	0	0	0	0	0	0	0	0

Note: Bits that are underlined are read-only; all other bits are read-write.

Bits 0 to 8/Block ID (BLKID0 to BLKID8)

00000000 (000h) = block number 0

11111111 (1ffh) = block number 511

Bit 14/Indirect Access Read/Write (IARW). When the host wishes to read data from the internal transmit block pointer RAM, this bit should be written to 1 by the host. This causes the device to begin obtaining the data from the block location indicated by the BLKID bits. During the read access, the IAB bit is set to 1. Once the data is ready to be read from the TFBP register, the IAB bit is set to 0. When the host wishes to write data to the internal transmit block pointer RAM, this bit should be written to 0 by the host. This causes the device to take the data that is currently present in the TFBP register and write it to the channel location indicated by the BLKID bits. When the device has completed the write, the IAB is set to 0.

Bit 15/Indirect Access Busy (IAB). When an indirect read or write access is in progress, this read-only bit is set to 1. During a read operation, this bit is set to 1 until the data is ready to be read. It is set to 0 when the data is ready to be read. During a write operation, this bit is set to 1 while the write is taking place. It is set to 0 once the write operation has completed.

Register Name: **TFBP**
 Register Description: **Transmit FIFO Block Pointer**
 Register Address: **0994h**

Bit #	7	6	5	4	3	2	1	0
Name	<u>TBP7</u>	<u>TBP6</u>	<u>TBP5</u>	<u>TBP4</u>	<u>TBP3</u>	<u>TBP2</u>	<u>TBP1</u>	<u>TBP0</u>
Default								

Bit #	15	14	13	12	11	10	9	8
Name	reserved	reserved	reserved	reserved	reserved	reserved	reserved	<u>TBP8</u>
Default								

Note: Bits that are underlined are read-only; all other bits are read-write.

Bits 0 to 8/Block Pointer (TBP0 to TBP8). These nine bits indicate which of the 512 blocks is the next block in the link list chain. A block is not allowed to point to itself.

00000000 (000h) = block 0 is the next linked block

11111111 (1ffh) = block 511 is the next linked block

Register Name: **TFLWMIS**
 Register Description: **Transmit FIFO Low-Watermark Indirect Select**
 Register Address: **09A0h**

Bit #	7	6	5	4	3	2	1	0
Name	reserved	reserved	HCID5	HCID4	HCID3	HCID2	HCID1	HCID0
Default	0	0	0	0	0	0	0	0

Bit #	15	14	13	12	11	10	9	8
Name	IAB	IARW	reserved	reserved	reserved	reserved	reserved	reserved
Default	0	0	0	0	0	0	0	0

Note: Bits that are underlined are read-only, all other bits are read-write.

Bits 0 to 5/HDLC Channel ID (HCID0 to HCID5)

000000 (00h) = HDLC channel number 1

100111 (27h) = HDLC channel number 40

Bit 14/Indirect Access Read/Write (IARW). When the host wishes to read data from the internal transmit low-watermark RAM, this bit should be written to 1 by the host. This causes the device to begin obtaining the data from the channel location indicated by the HCID bits. During the read access, the IAB bit is set to 1. Once the data is ready to be read from the TFLWM register, the IAB bit is set to 0. When the host wishes to write data to the internal transmit low-watermark RAM, this bit should be written to 0 by the host. This causes the device to take the data that is currently present in the TFLWM register and write it to the channel location indicated by the HCID bits. When the device has completed the write, the IAB is set to 0.

Bit 15/Indirect Access Busy (IAB). When an indirect read or write access is in progress, this read-only bit is set to 1. During a read operation, this bit is set to 1 until the data is ready to be read. It is set to 0 when the data is ready to be read. During a write operation, this bit is set to 1 while the write is taking place. It is set to 0 once the write operation has completed.

Register Name: **TFLWM**
 Register Description: **Transmit FIFO Low Watermark**
 Register Address: **09A4h**

Bit #	7	6	5	4	3	2	1	0
Name	TLWM7	TLWM6	TLWM5	TLWM4	TLWM3	TLWM2	TLWM1	TLWM0
Default								

Bit #	15	14	13	12	11	10	9	8
Name	reserved	reserved	reserved	reserved	reserved	reserved	reserved	TLWM8
Default								

Note: Bits that are underlined are read-only; all other bits are read-write.

Bits 0 to 8/Low Watermark (TLWM0 to TLWM8). These nine bits indicate the setting of the transmit low watermark. The low watermark setting is the number of blocks left in the transmit FIFO before the DMA gets more data from the PCI bus. The low-watermark setting must be between (inclusive) one block and two less than the number of blocks in the link-list chain for the particular channel involved. For example, if five blocks are linked together, the low watermark can be set to 1, 2, or 3.

000000000 (000h) = invalid setting

000000001 (001h) = low watermark is 1 block

000000010 (002h) = low watermark is 2 blocks

111111111 (1FFh) = low watermark is 511 blocks

9. DMA

9.1 Introduction

The DMA block ([Figure 2-1](#)) handles the transfer of packet data from the FIFO block to the PCI block and vice versa. Throughout this section, the terms *host* and *descriptor* are used. *Host* is defined as the CPU or intelligent controller that sits on the PCI bus and instructs the device how to handle the incoming and outgoing packet data. *Descriptor* is defined as a preformatted message that is passed from the host to the DMA block or vice versa to indicate where packet data should be placed or obtained from.

On power-up, the DMA is disabled because the RDE and TDE control bits in the master configuration register (Section [5](#)) are set to 0. The host must configure the DMA by writing to all of the registers listed in [Table 9-A](#) (which includes all 40 channel locations in the receive and transmit configuration RAMs), then enable the DMA by setting to the RDE and TDE control bits to 1.

The structure of the DMA is such that the receive and transmit side descriptor-address spaces can be shared, even among multiple chips on the same bus. Through the master control (MC) register, the host determines how long the DMA is allowed to burst onto the PCI bus. The default value is 32 dwords (128 Bytes) but, through the DT0 and DT1 control bits, the host can enable the receive or transmit DMAs to burst either 64 dwords (256 Bytes), 128 dwords (512 Bytes), or 256 dwords (1024 Bytes).

The receive and transmit packet descriptors have almost identical structures (Sections [9.2.2](#) and [9.3.2](#)), which provide a minimal amount of host intervention in store-and-forward applications. In other words, the receive descriptors created by the receive DMA can be used directly by the transmit DMA.

The receive and transmit portions of the DMA are completely independent and are discussed separately.

Table 9-A. DMA Registers to be Configured by the Host on Power-Up

ADDRESS	NAME	REGISTER	SECTION
0700	RFQBA0	Receive Free-Queue Base Address 0 (lower word)	9.2.3
0704	RFQBA1	Receive Free-Queue Base Address 1 (upper word)	9.2.3
0708	RFQEA	Receive Free-Queue End Address	9.2.3
070C	RFQSBSA	Receive Free-Queue Small Buffer Start Address	9.2.3
0710	RFQLBWP	Receive Free-Queue Large Buffer Host Write Pointer	9.2.3
0714	RFQSBWP	Receive Free-Queue Small Buffer Host Write Pointer	9.2.3
0718	RFQLBRP	Receive Free-Queue Large Buffer DMA Read Pointer	9.2.3
071C	RFQSBRP	Receive Free-Queue Small Buffer DMA Read Pointer	9.2.3
0730	RDQBA0	Receive Done-Queue Base Address 0 (lower word)	9.2.4
0734	RDQBA1	Receive Done-Queue Base Address 1 (upper word)	9.2.4
0738	RDQEA	Receive Done-Queue End Address	9.2.4
073C	RDQRP	Receive Done-Queue Host Read Pointer	9.2.4
0740	RDQWP	Receive Done-Queue DMA Write Pointer	9.2.4
0744	RDQFFT	Receive Done-Queue FIFO Flush Timer	9.2.4
0750	RDBA0	Receive Descriptor Base Address 0 (lower word)	9.2.2
0754	RDBA1	Receive Descriptor Base Address 1 (upper word)	9.2.2
0770	RDMACIS	Receive DMA Configuration Indirect Select	9.2.5
0774	RDMAC	Receive DMA Configuration (all 40 channels)	9.2.5
0780	RDMAQ	Receive DMA Queues Control	9.2.3, 9.2.4
0790	RLBS	Receive Large Buffer Size	9.2.1
0794	RSBS	Receive Small Buffer Size	9.2.1
0800	TPQBA0	Transmit Pending-Queue Base Address 0 (lower word)	9.3.3
0804	TPQBA1	Transmit Pending-Queue Base Address 1 (upper word)	9.3.3
0808	TPQEA	Transmit Pending-Queue End Address	9.3.3
080C	TPQWP	Transmit Pending-Queue Host Write Pointer	9.3.3
0810	TPQRP	Transmit Pending-Queue DMA Read Pointer	9.3.3
0830	TDQBA0	Transmit Done-Queue Base Address 0 (lower word)	9.3.4
0834	TDQBA1	Transmit Done-Queue Base Address 1 (upper word)	9.3.4
0838	TDQEA	Transmit Done-Queue End Address	9.3.4
083C	TDQRP	Transmit Done-Queue Host Read Pointer	9.3.4
0840	TDQWP	Transmit Done-Queue DMA Write Pointer	9.3.4
0844	TDQFFT	Transmit Done-Queue FIFO Flush Timer	9.3.4
0850	TPDBA0	Transmit Descriptor Base Address 0 (lower word)	9.3.2
0854	TPDBA1	Transmit Descriptor Base Address 1 (upper word)	9.3.2
0870	TDMACIS	Transmit DMA Configuration Indirect Select	9.3.5
0874	TDMAC	Transmit DMA Configuration (all 40 channels)	9.3.5
0880	TDMAQ	Transmit Queues FIFO Control	9.3.3, 9.3.4

9.2 Receive Side

9.2.1 Overview

The receive DMA uses a scatter-gather technique to write packet data into main memory. The host keeps track of and decides where the DMA should place the incoming packet data. There are a set of descriptors that get handed back and forth between the DMA and the host. Through these descriptors the host can inform the DMA where to place the packet data and the DMA can tell the host when the data is ready to be processed.

The operation of the receive DMA has three main areas, as shown in [Figure 9-1](#), [Figure 9-2](#), and [Table 9-B](#). The host writes to the free-queue descriptors informing the DMA where it can place the incoming packet data. Associated with each free data buffer location is a free packet descriptor where the DMA can write information to inform the host about the attributes of the packet data (i.e., status information, number of bytes, etc.) that it outputs. To accommodate the various needs of packet data, the host can quantize the free data buffer space into two different buffer sizes. The host sets the size of the buffers through the receive large buffer size (RLBS) and the receive small buffer size (RSBS) registers.

Register Name: **RLBS**
 Register Description: **Receive Large Buffer Size Select**
 Register Address: **0790h**

Bit #	7	6	5	4	3	2	1	0
Name	LBS7	LBS6	LBS5	LBS4	LBS3	LBS2	LBS1	LBS0
Default	0	0	0	0	0	0	0	0

Bit #	15	14	13	12	11	10	9	8
Name	reserved	reserved	reserved	LBS12	LBS11	LBS10	LBS9	LBS8
Default	0	0	0	0	0	0	0	0

Note: Bits that are underlined are read-only; all other bits are read-write.

Bits 0 to 12/Large Buffer Select Bit (LBS0 to LBS12)

000000000000 (0000h) = buffer size is 0 Bytes

111111111111 (1FFFh) = buffer size is 8191 Bytes

Register Name: **RSBS**
 Register Description: **Receive Small Buffer Size Select**
 Register Address: **0794h**

Bit #	7	6	5	4	3	2	1	0
Name	SBS7	SBS6	SBS5	SBS4	SBS3	SBS2	SBS1	SBS0
Default	0	0	0	0	0	0	0	0

Bit #	15	14	13	12	11	10	9	8
Name	reserved	reserved	reserved	SBS12	SBS11	SBS10	SBS9	SBS8
Default	0	0	0	0	0	0	0	0

Note: Bits that are underlined are read-only; all other bits are read-write.

Bits 0 to 12/Small Buffer Select Bit (SBS0 to SBS12)

000000000000 (0000h) = buffer size is 0 Bytes

111111111111 (1FFFh) = buffer size is 8191 Bytes

On an HDLC channel basis in the receive DMA configuration RAM, the host instructs the DMA how to use the large and small buffers for the incoming packet data on that particular HDLC channel. The host has three options: (1) only use large buffers, (2) only use small buffers, or (3) first fill a small buffer, then if the incoming packet requires more buffer space, use one or more large buffers for the remainder of the packet. The host selects the option through the size field in the receive configuration RAM (Section [9.2.5](#)). Large buffers are best used for data-intensive, time-insensitive packets like graphics files, whereas small buffers are best used for time-sensitive information like real-time voice.

Table 9-B. Receive DMA Main Operational Areas

DESCRIPTORS	FUNCTION	SECTION
Packet	A dedicated area of memory that describes the location and attributes of the packet data.	9.2.2
Free Queue	A dedicated area of memory that the host writes to inform the DMA where to store incoming packet data.	9.2.3
Done Queue	A dedicated area of memory that the DMA writes to inform the host that the packet data is ready for processing.	9.2.4

The done-queue descriptors contain information that the DMA wishes to pass to the host. Through the done-queue descriptors, the DMA informs the host about the incoming packet data and where to find the packet descriptors that it has written into main memory. Each completed descriptor contains the starting address of the data buffer where the packet data is stored.

If enabled, the DMA can burst read the free-queue descriptors and burst write the done-queue descriptors. This helps minimize PCI bus accesses, freeing the PCI bus up to do more time critical functions. See Sections [9.2.3](#) and [9.2.4](#) for more details about this feature.

Receive DMA Actions

A typical scenario for the receive DMA is as follows:

- 1) The receive DMA gets a request from the receive FIFO that it has packet data that needs to be sent to the PCI bus.
- 2) The receive DMA determines whether the incoming packet data should be stored in a large buffer or a small buffer.
- 3) The receive DMA then reads a free-queue descriptor (either by reading a single descriptor or a burst of descriptors), indicating where, in main memory, there exists some free data buffer space and where the associated free packet descriptor resides.
- 4) The receive DMA starts storing packet data in the previously free buffer data space by writing it out through the PCI bus.
- 5) When the receive DMA realizes that the current data buffer is filled (by knowing the buffer size it can calculate this), it then reads another free-queue descriptor to find another free data buffer and packet descriptor location.
- 6) The receive DMA then writes the previous packet descriptor and creates a linked list by placing the current descriptor in the next descriptor pointer field; it then starts filling the new buffer location. [Figure 9-1](#) provides an example of packet descriptors being link listed together (see Channel 2).
- 7) This continues to the entire packet data is stored.
- 8) The receive DMA either waits until a packet has been completely received or until a programmable number (from 1 to 7) of data buffers have been filled before writing the done-queue descriptor, which indicates to the host that packet data is ready for processing.

Host Actions

The host typically handles the receive DMA as follows:

- 1) The host is always trying to make free data buffer space available and therefore tries to fill the free-queue descriptor.
- 2) The host either polls, or is interrupted, when some incoming packet data is ready for processing.
- 3) The host then reads the done-queue descriptor circular queue to find out which channel has data available, what the status is, and where the receive packet descriptor is located.
- 4) The host then reads the receive packet descriptor and begins processing the data.
- 5) The host then reads the next descriptor pointer in the link-listed chain and continues this process until either a number (from 1 to 7) of descriptors have been processed or an end of packet has been reached.
- 6) The host then checks the done-queue descriptor circular queue to see if any more data buffers are ready for processing.

Figure 9-1. Receive DMA Operation

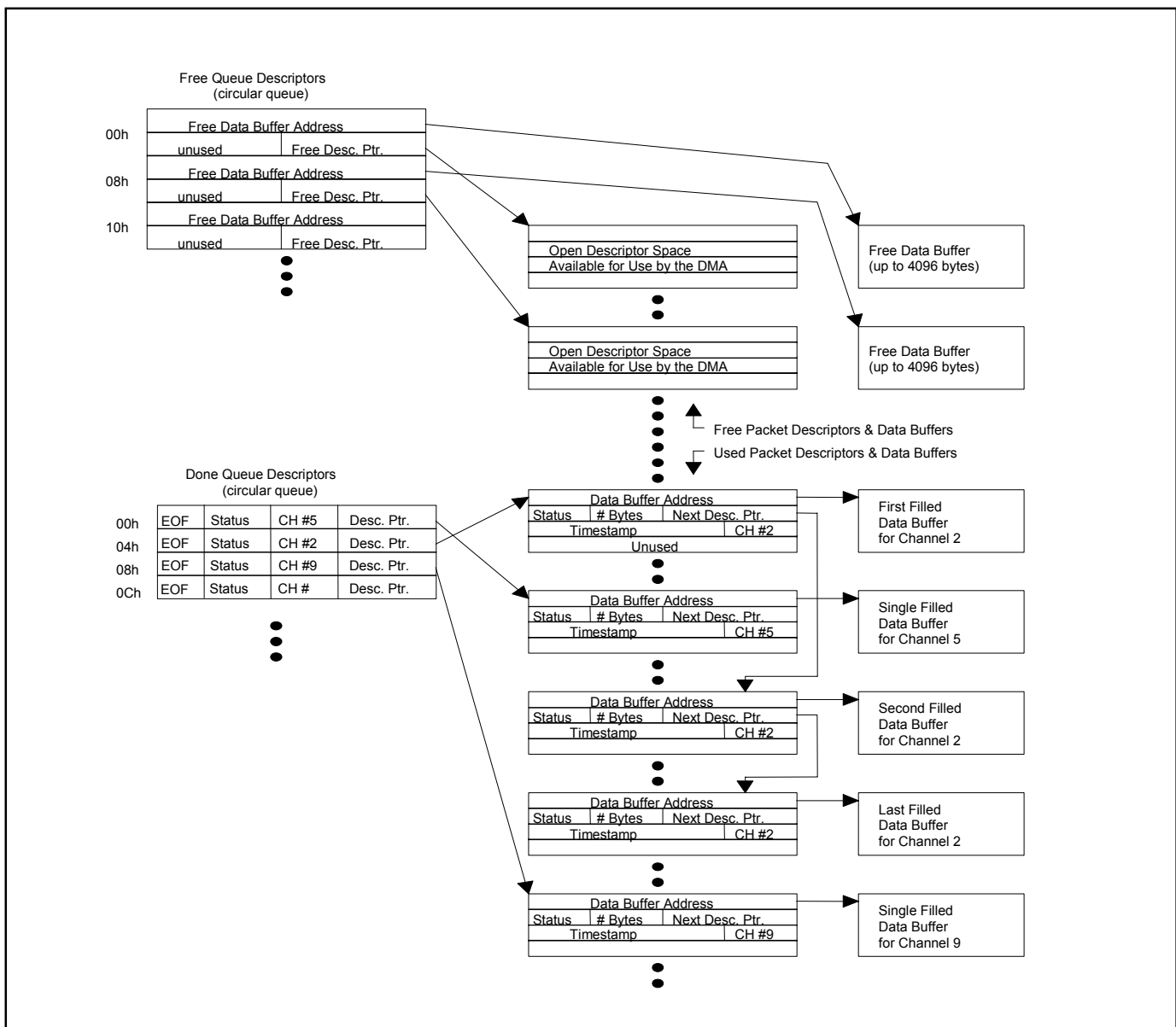
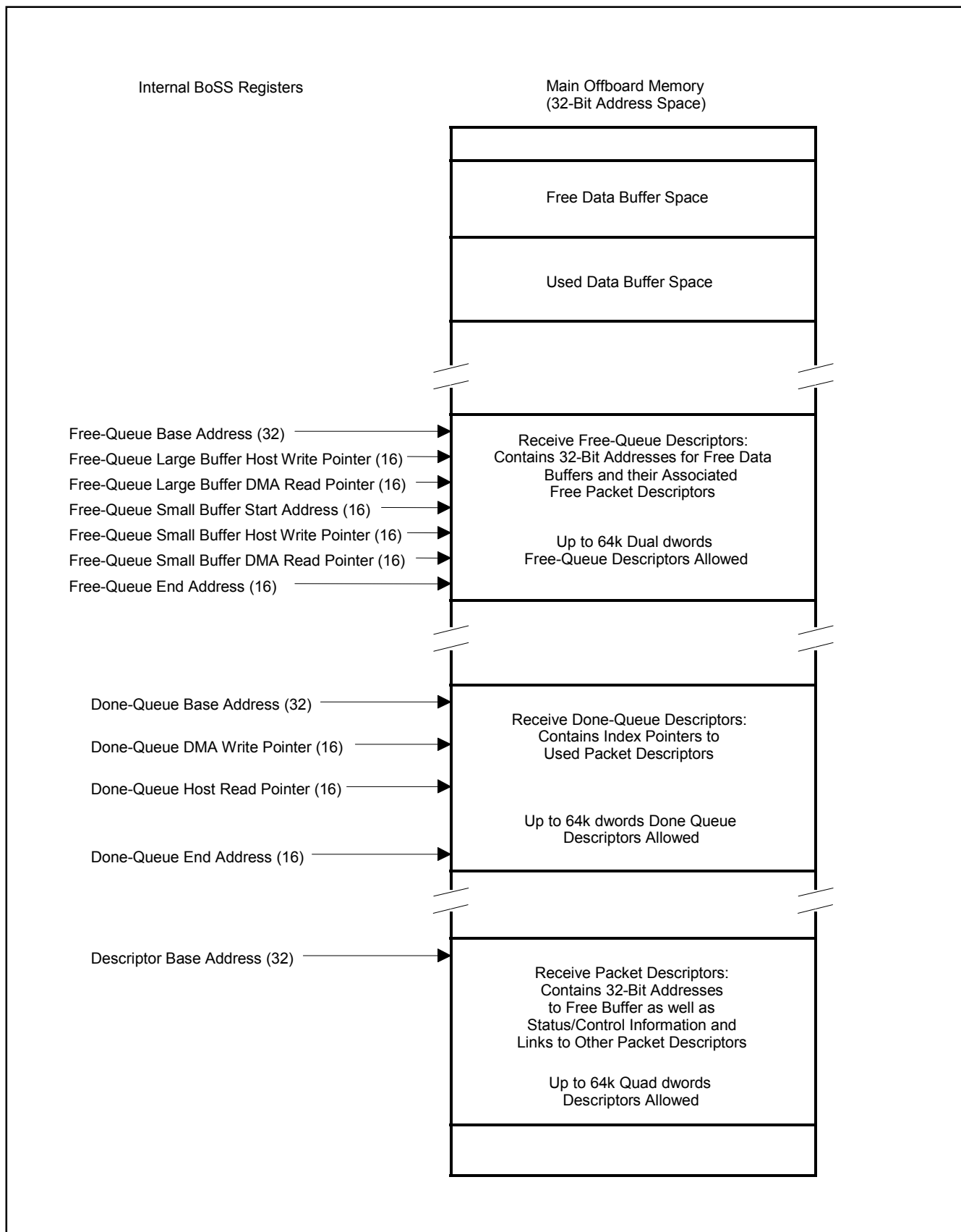


Figure 9-2. Receive DMA Memory Organization



9.2.2 Packet Descriptors

A contiguous section up to 65,536 quad dwords that make up the receive packet descriptors resides in main memory. The receive packet descriptors are aligned on a quad dword basis and can be placed anywhere in the 32-bit address space through the receive descriptor base address (Table 9-C). A data buffer is associated with each descriptor. The data buffer can be up to 8191 Bytes long and must be a contiguous section of main memory. The host can set two different data buffer sizes through the receive large buffer size (RLBS) and the receive small buffer size (RSBS) registers (Section 9.2.1). If an incoming packet requires more space than the data buffer allows, packet descriptors are link-listed together by the DMA to provide a chain of data buffers. Figure 9-3 shows an example of how three descriptors were linked together for an incoming packet on HDLC Channel 2. Figure 9-2 shows a similar example. Channel 9 only required a single data buffer and therefore only one packet descriptor was used.

Packet descriptors can be either free (available for use by the DMA) or used (currently contain data that needs to be processed by the host). The free-queue descriptors point to the free packet descriptors. The done-queue descriptors point to the used packet descriptors.

Table 9-C. Receive Descriptor Address Storage

REGISTER	NAME	ADDRESS
Receive Descriptor Base Address 0 (lower word)	RDBA0	0750h
Receive Descriptor Base Address 1 (upper word)	RDBA1	0754h

Figure 9-3. Receive Descriptor Example

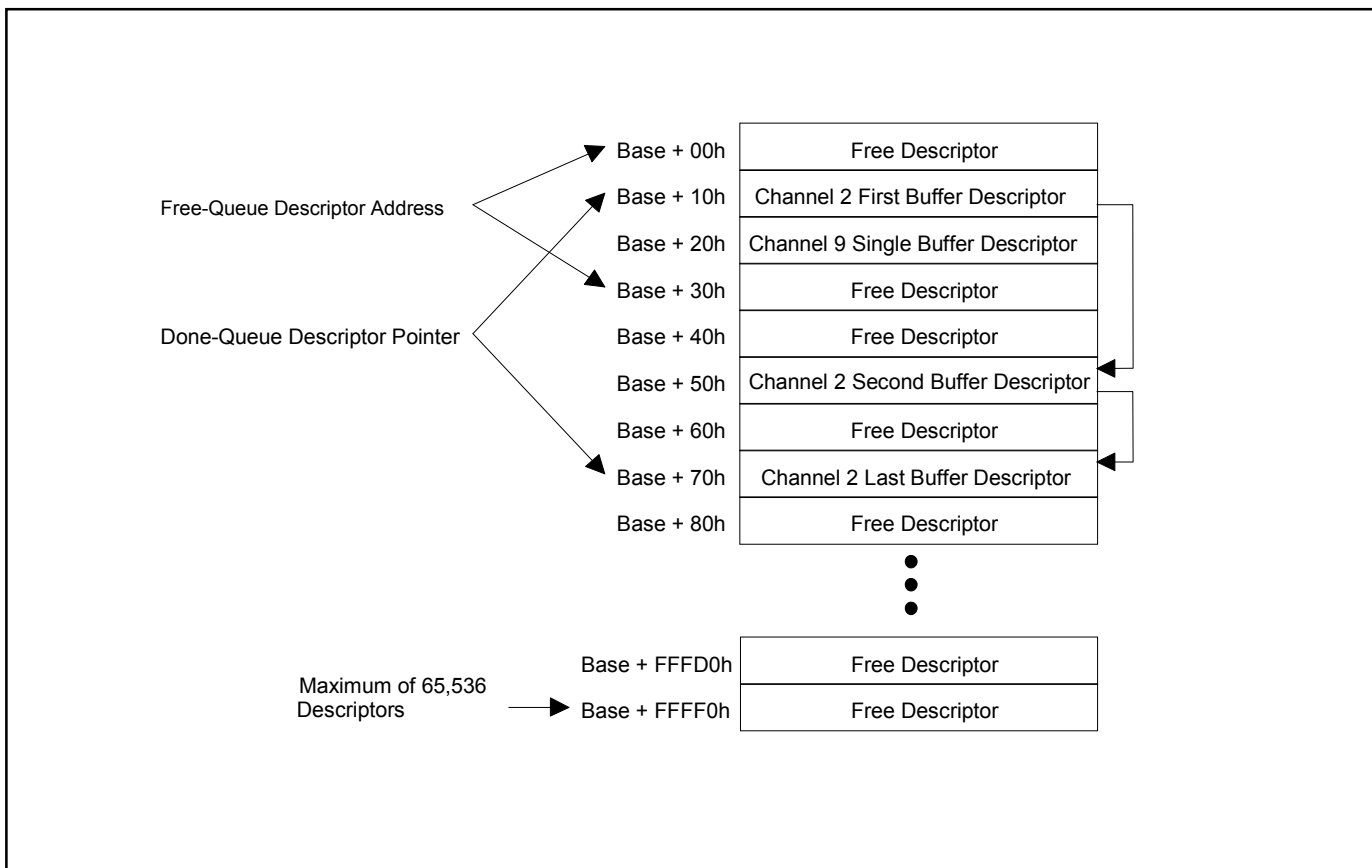
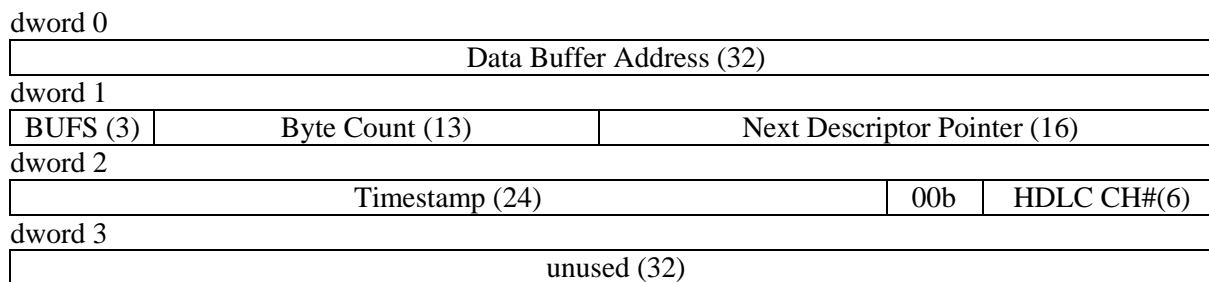


Figure 9-4. Receive Packet Descriptors



Note: The organization of the receive descriptor is not affected by the enabling of Big Endian.

dword 0; Bits 0 to 31/Data Buffer Address. Direct 32-bit starting address of the data buffer that is associated with this receives descriptor.

dword 1; Bits 0 to 15/Next Descriptor Pointer. This 16-bit value is the offset from the receive descriptor base address of the next descriptor in the chain. Only valid if buffer status = 001 or 010.

dword 1; Bits 16 to 28/Byte Count. Number of bytes stored in the data buffer. Maximum is 8191 Bytes (0000h = 0 Bytes / 1FFFh = 8191 Bytes). This byte count does not include the buffer offset. The host determines the buffer offset (if any) through the buffer offset field in the receive DMA configuration RAM (Section [9.2.5](#)).

dword 1; Bits 29 to 31/Buffer Status. Must be one of the three states listed below.

001 = first buffer of a multiple buffer packet

010 = middle buffer of a multiple buffer packet

100 = last buffer of a multiple or single buffer packet (equivalent to EOF)

dword 2; Bits 0 to 5/HDLC Channel Number. HDLC channel number, which can be from 1 to 40.

000000 (00h) = HDLC channel number 1

100111 (27h) = HDLC channel number 40

dword 2; Bits 6, 7/Unused. Set to 00b by the DMA.

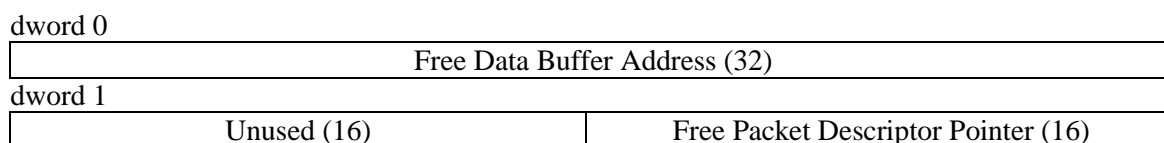
dword 2; Bits 8 to 31/Timestamp. When each descriptor is written into memory by the DMA, this 24-bit timestamp is provided to keep track of packet arrival times. The timestamp is based on the PCLK frequency divided by 16. For a 33MHz PCLK, the timestamp increments every 485ns and rolls over every 8.13s. The host can calculate the difference in packets' arrival times by knowing the PCLK frequency and then taking the difference in timestamp readings between consecutive packet descriptors.

dword 3; Bits 0 to 31/Unused. Not written to by the DMA. Can be used by the host. **Application Note:** dword 3 is used by the transmit DMA and, in store and forward applications, the receive and transmit packet descriptors have been designed to eliminate the need for the host to groom the descriptors before transmission. In these type of applications, the host should not use dword 3 of the receive packet descriptor.

9.2.3 Free Queue

The host writes the 32-bit addresses of the available (free) data buffers and their associated packet descriptors to the receive free queue. The descriptor space is indicated through a 16-bit pointer, which the DMA uses along with the receive packet descriptor base address to find the exact 32-bit address of the associated receive packet descriptor.

Figure 9-5. Receive Free-Queue Descriptor



Note: The organization of the free queue is not affected by the enabling of Big Endian.

dword 0; Bits 0 to 31/Data Buffer Address. Direct 32-bit starting address of a free data buffer.

dword 1; Bits 0 to 15/Free Packet Descriptor Pointer. This 16-bit value is the offset from the receive descriptor base address of the free descriptor space associated with the free data buffer in dword 0.

dword 1; Bits 16 to 31/Unused. Not used by the DMA. Can be set to any value by the host and is ignored by the receive DMA.

The receive DMA read from the receive free-queue descriptor circular queue, which data buffers and their associated descriptors are available for use by the DMA.

The receive free-queue descriptor is actually a set of two circular queues ([Figure 9-6](#)). There is one circular queue that indicates where free large buffers and their associated free descriptors exist. There is another circular queue that indicates where free small buffers and their associated free descriptors exist.

Large and Small Buffer Size Handling

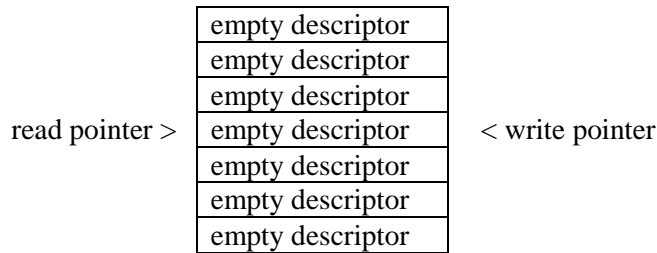
Through the receive configuration-RAM buffer-size field, the DMA knows for a particular HDLC channel whether the incoming packets should be stored in the large or the small free data buffers. The host informs the DMA of the size of both the large and small buffers through the receive large and small buffer size (RLBS/RSBS) registers. For example, when the DMA knows that data is ready to be written onto the PCI bus, it checks to see if the data is to be sent to a large buffer or a small buffer, and then it goes to the appropriate free-queue descriptor and pulls the next available free buffer address and free descriptor pointer. If the host wishes to have only one buffer size, then the receive free queue small-buffer start address is set equal to the receive free-queue end address. In the receive configuration RAM, none of the active HDLC channels are configured for the small buffer size.

There are a set of internal addresses within the device to keep track of the addresses of the dual circular queues in the receive free queue. These are accessed by the host and the DMA. On initialization, the host configures all of the registers shown in [Table 9-E](#). After initialization, the DMA only writes to (changes) the read pointers and the host only writes to the write pointers.

Empty Case

The receive free queue is considered empty when the read and write pointers are identical.

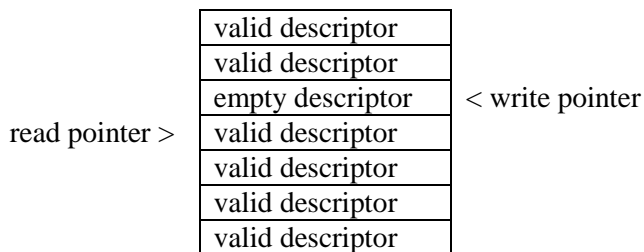
Receive Free-Queue Empty State



Full Case

The receive free queue is considered full when the read pointer is ahead of the write pointer by one descriptor. Therefore, one descriptor must always remain empty.

Receive Free-Queue Full State



[Table 9-D](#) describes how to calculate the absolute 32-bit address of the read and write pointers for the receive free queue.

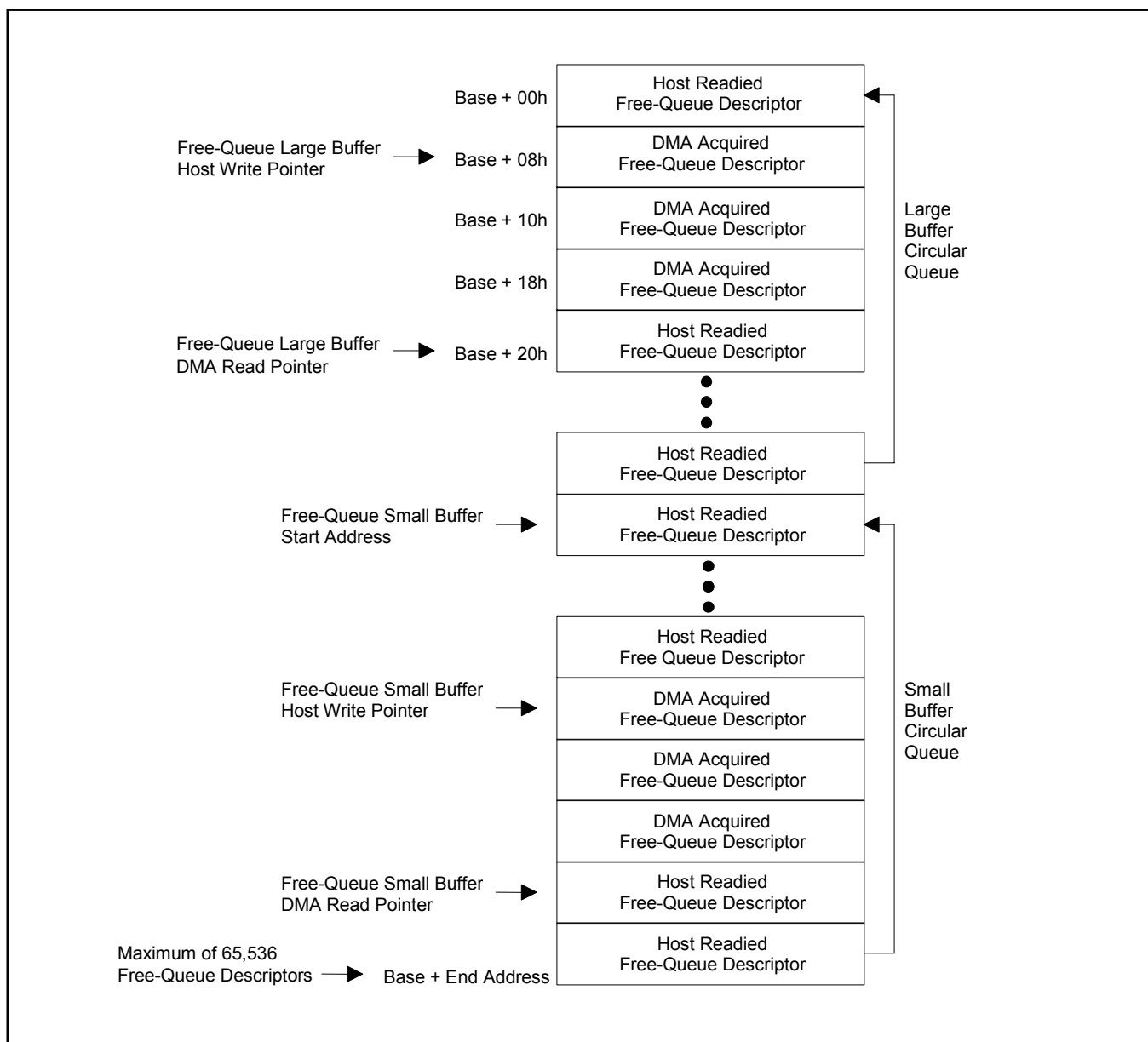
Table 9-D. Receive Free-Queue Read/Write Pointer Absolute Address Calculation

BUFFER	ALGORITHM
Large	$\text{Absolute Address} = \text{Free Queue Base} + \text{Write Pointer} \times 8$ $\text{Absolute Address} = \text{Free Queue Base} + \text{Read Pointer} \times 8$
Small	$\text{Absolute Address} = \text{Free Queue Base} + \text{Small Buffer Start} \times 8 + \text{Write Pointer} \times 8$ $\text{Absolute Address} = \text{Free Queue Base} + \text{Small Buffer Start} \times 8 + \text{Read Pointer} \times 8$

Table 9-E. Receive Free-Queue Internal Address Storage

REGISTER	NAME	ADDRESS
Receive Free-Queue Base Address 0 (lower word)	RFQBA0	0700h
Receive Free-Queue Base Address 1 (upper word)	RFQBA1	0704h
Receive Free-Queue Large Buffer Host Write Pointer	RFQLBWP	0710h
Receive Free-Queue Large Buffer DMA Read Pointer	RFQLBRP	0718h
Receive Free-Queue Small Buffer Start Address	RFQSBSA	070Ch
Receive Free-Queue Small Buffer Host Write Pointer	RFQSBWP	0714h
Receive Free-Queue Small Buffer DMA Read Pointer	RFQSBRP	071Ch
Receive Free-Queue End Address	RFQEA	0708h

Figure 9-6. Receive Free-Queue Structure



Once the receive DMA is activated (by setting the RDE control bit in the master configuration register, see Section 5), it can begin reading data out of the free queue. It knows where to read data out of the free queue by reading the read pointer and adding it to the base address to obtain the actual 32-bit address. Once the DMA has read the free queue, it increments the read pointer by two dwords. A check must be made to ensure the incremented address does not equal or exceed either the receive free-queue small-buffer start address (in the case of the large buffer circular queue) or the receive free-queue end address (in the case of the small buffer circular queue). If the incremented address does equal or exceed either of these addresses, the incremented read pointer is set equal to 0000h.

Status/Interrupts

On each read of the free queue by the DMA, the DMA sets either the status bit for receive DMA large buffer read (RLBR) or the status bit for receive DMA small buffer read (RSBR) in the status register for DMA (SDMA). The DMA also checks the receive free-queue large-buffer host write pointer and the receive free-queue small-buffer host write pointer to ensure that an underflow does not occur. If it does occur, the DMA sets either the status bit for receive DMA large buffer read error (RLBRE) or the status bit for receive DMA small buffer read error (RSBRE) in the status register for DMA (SDMA), and it does not read the free queue nor does it increment the read pointer. In such a scenario, the receive FIFO can overflow if the host does not provide free-queue descriptors. Each of the status bits can also (if enabled) cause an hardware interrupt to occur. See Section [5](#) for more details.

Free-Queue Burst Reading

The DMA has the ability to read the free queue in bursts, which allows for a more efficient use of the PCI bus. The DMA can grab messages from the free queue in groups rather than one at a time, freeing up the PCI bus for more time-critical functions.

An internal FIFO stores up to 16 free-queue descriptors (32 dwords, as each descriptor occupies two dwords). If the small free-queue buffer start address and the free-queue ending address are equal, the free queue is a single 16-descriptor length buffer. If they are not equal, the free queue is a dual queue of eight small and large free queue buffer descriptors. The host must configure the free-queue FIFO for proper operation through the receive DMA queues control (RDMAQ) register (see the following).

When enabled through the receive free-queue FIFO-enable (RFQFE) bit, the free-queue FIFO does not read the free queue until it reaches the low watermark. When the FIFO reaches the low watermark (which is two descriptors in the dual mode or four descriptors in the single mode), it attempts to fill the FIFO with additional descriptors by burst reading the free queue. Before it reads the free queue, it checks (by examining the receive free-queue host write pointer) to ensure the free queue contains enough descriptors to fill the free-queue FIFO. If the free queue does not have enough descriptors to fill the FIFO, it only reads enough to keep from underflowing the free queue. If the FIFO detects that there are no free-queue descriptors available for it to read, then it sets either the status bit for the receive DMA large buffer read error (RLBRE) or the status bit for the receive DMA small buffer read error (RSBRE) in the status register for DMA (SDMA); it does not read the free queue nor does it increment the read pointer. In such a scenario, the receive FIFO can overflow if the host does not provide free-queue descriptors. If the free-queue FIFO can read descriptors from the free queue, it burst reads them, increments the read pointer, and sets either the status bit for receive DMA large buffer read (RLBR) or the status bit for the receive DMA small buffer read (RSBR) in the status register for DMA (SDMA). See Section [5](#) for more details on status bits.

Register Name: **RDMAQ**
 Register Description: **Receive DMA Queues Control**
 Register Address: **0780h**

Bit #	7	6	5	4	3	2	1	0
Name	reserved	reserved	RDQF	RDQFE	RFQSF	RFQLF	reserved	RFQFE
Default	0	0	0	0	0	0	0	0

Bit #	15	14	13	12	11	10	9	8
Name	reserved	reserved	reserved	reserved	reserved	RDQT2	RDQT1	RDQT0
Default	0	0	0	0	0	0	0	0

Note: Bits that are underlined are read-only; all other bits are read-write.

Bit 0/Receive Free-Queue FIFO Enable (RFQFE). To enable the DMA to burst read descriptors from the free queue, this bit must be set to 1. If this bit is set to 0, descriptors are read one at a time.

0 = free queue burst read disabled

1 = free queue burst read enabled

Bit 2/Receive Free-Queue Large Buffer FIFO Flush (RFQLF). When this bit is set to 1, the internal large buffer free queue FIFO is flushed (currently loaded free-queue descriptors are lost). This bit must be set to 0 for proper operation.

0 = FIFO in normal operation

1 = FIFO is flushed

Bit 3/Receive Free-Queue Small Buffer FIFO Flush (RFQSF). When this bit is set to 1, the internal small buffer free-queue FIFO is flushed (currently loaded free-queue descriptors are lost). This bit must be set to 0 for proper operation.

0 = FIFO in normal operation

1 = FIFO is flushed

Bit 4/Receive Done-Queue FIFO Enable (RDQFE). See Section [9.2.4](#) for details.

Bit 5/Receive Done-Queue FIFO Flush (RDQF). See Section [9.2.4](#) for details.

Bits 8 to 10/Receive Done-Queue Status Bit Threshold Setting (RDQT0 to RDQT2). See Section [9.2.4](#) for details.

9.2.4 Done Queue

The DMA writes to the receive done queue when it has filled a free data buffer with packet data and has loaded the associated packet descriptor with all the necessary information. The descriptor location is indicated through a 16-bit pointer that the host uses with the receive descriptor base address to find the exact 32-bit address of the associated receive descriptor.

Figure 9-7. Receive Done-Queue Descriptor

dword 0

V	EOF	Status(3)	BUFCNT(3)	00b	HDLC CH#(6)	Descriptor Pointer (16)
---	-----	-----------	-----------	-----	-------------	-------------------------

Note: The organization of the done queue is not affected by the enabling of Big Endian.

dword 0; Bits 0 to 15/Descriptor Pointer. This 16-bit value is the offset from the receive descriptor base address of a receive packet descriptor that has been readied by the DMA and is available for the host to begin processing.

dword 0; Bits 16 to 21/HDLC Channel Number. HDLC channel number, which can be from 1 to 40.

- 000000 (00h) = HDLC channel number 1
- 100111 (27h) = HDLC channel number 40

dword 0; Bits 22 to 23/Unused. Set to 0 by the DMA.

dword 0; Bits 24 to 26/Buffer Count (BUFCNT). If an HDLC channel has been configured to only write to the done queue after a packet has been completely received (i.e., the threshold field in the receive DMA configuration RAM is set to 000), then BUFCNT is always set to 000. If the HDLC channel has been configured through the threshold field to write to the done queue after a programmable number of buffers (from 1 to 7) has been filled, then BUFCNT corresponds to the number of buffers that have been written to host memory. The BUFCNT is less than the threshold field value when the incoming packet does not require the number of buffers specified in the threshold field.

- 000 = indicates that a complete packet has been received (only used when threshold = 000)
- 001 = 1 buffer has been filled
- 010 = 2 buffers have been filled
- 111 = 7 buffers have been filled

dword 0; Bits 27 to 29/Packet Status. These three bits report the final status of an incoming packet. They are only valid when the EOF bit is set to 1 (EOF = 1).

- 000 = no error, valid packet received
- 001 = receive FIFO overflow (remainder of the packet discarded)
- 010 = CRC checksum error
- 011 = HDLC frame abort sequence detected (remainder of the packet discarded)
- 100 = nonaligned byte count error (not an integral number of bytes)
- 101 = long frame abort (max packet length exceeded; remainder of the packet discarded)
- 110 = PCI abort or parity data error (remainder of the packet discarded)
- 111 = reserved state (never occurs in normal device operation)

dword 0; Bit 30/End of Frame (EOF). This bit is set to 1 when this receive descriptor is the last one in the current descriptor chain. This indicates that a packet has been fully received or an error has been detected, which has caused a premature termination.

dword 0; Bit 31/Valid Done-Queue Descriptor (V). This bit is set to 0 by the receive DMA. Instead of reading the receive done queue read pointer to locate completed done queue descriptors, the host can use this bit since the DMA sets the bit to 0 when it is written into the queue. If the latter scheme is used, the host must set this bit to 1 when the done queue descriptor is read.

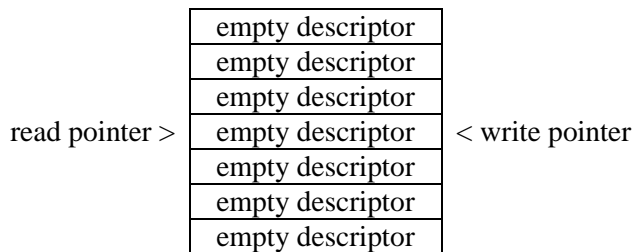
The host reads from the receive done queue to find which data buffers and their associated descriptors are ready for processing.

The receive done queue is circular. A set of internal addresses within the device that are accessed by the host and the DMA keep track of the queue's addresses. On initialization, the host configures all of the registers, as shown in [Table 9-F](#). After initialization, the DMA only writes to (changes) the write pointer and the host only writes to the read pointer.

Empty Case

The receive done queue is considered empty when the read and write pointers are identical.

Receive Done-Queue Empty State



Full Case

The receive done queue is considered full when the read pointer is ahead of the write pointer by one descriptor. Therefore, one descriptor must always remain empty.

Receive Done-Queue Full State

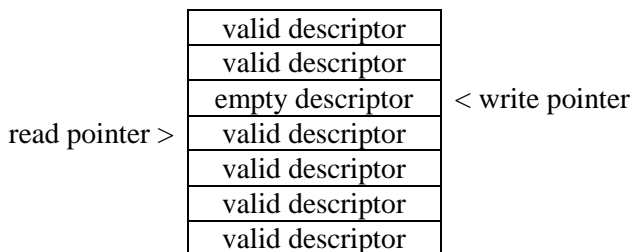
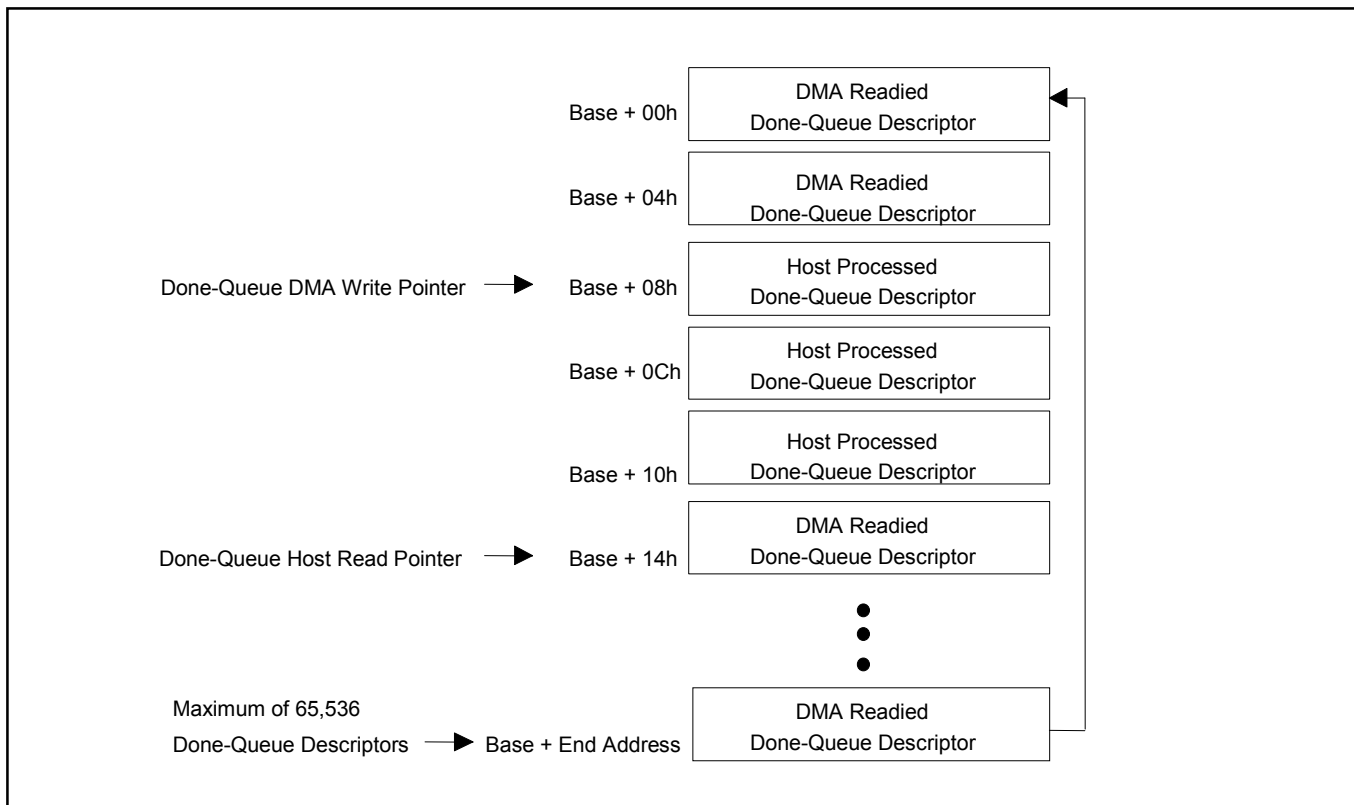


Table 9-F. Receive Done-Queue Internal Address Storage

REGISTER	NAME	ADDRESS
Receive Done-Queue Base Address 0 (lower word)	RDQBA0	0730h
Receive Done-Queue Base Address 1 (upper word)	RDQBA1	0734h
Receive Done-Queue DMA Write Pointer	RDQWP	0740h
Receive Done-Queue Host Read Pointer	RDQRP	073Ch
Receive Done-Queue End Address	RDQEA	0738h
Receive Done-Queue FIFO Flush Timer	RDQFFT	0744h

Figure 9-8. Receive Done-Queue Structure

Once the receive DMA is activated (through the RDE control bit in the master configuration register, see Section 5), it can begin writing data to the done queue. It knows where to write data into the done queue by reading the write pointer and adding it to the base address to obtain the actual 32-bit address. Once the DMA has written to the done queue, it increments the write pointer by one dword. A check must be made to ensure the incremented address does not exceed the receive done queue end address. If the incremented address exceeds this address, the incremented write pointer is set equal to 0000h (i.e., the base address).

Status Bits/Interrupts

On writes to the done queue by the DMA, the DMA sets the status bit for the receive DMA done-queue write (RDQW) in the status register for DMA (SDMA). The host can configure the DMA to either set this status bit on each write to the done queue or only after multiple (from 2 to 128) writes. The host controls this by setting the RDQT0 to RDQT2 bits in the receive DMA queues control (RDMAQ) register. See the description of the RDMAQ register at the end of Section 9.2.4 for more details. The DMA also checks the receive done-queue host read pointer to ensure an overflow does not occur. If this does occur, the DMA then sets the status bit for the receive DMA done-queue write error (RDQWE) in the status register for DMA (SDMA), and it does not write to the done queue nor does it increment the write pointer. In such a scenario, packets can be lost and unrecoverable. Each of the status bits can also (if enabled) cause a hardware interrupt to occur. See Section 5 for more details.

Buffer Write Threshold Setting

In the DMA configuration RAM (Section 9.2.5), there is a host-controlled field called “threshold” (bits RDT0 to RDT2) that informs the DMA when it should write to the done queue. The host has the option to have the DMA place information in the done queue after a programmable number (from 1 to 7) data buffers have been filled or wait until the completed packet data has been written. The DMA always writes to the done queue when it has finished receiving a packet, even if the threshold has not been met.

Done-Queue Burst Writing

The DMA has the ability to write to the done queue in bursts, which allows for a more efficient use of the PCI bus. The DMA can hand off descriptors to the done queue in groups rather than one at a time, freeing up the PCI bus for more time-critical functions.

An internal FIFO stores up to eight done-queue descriptors (8 dwords as each descriptor occupies one dword). The host must configure the FIFO for proper operation through the receive DMA queues-control (RDMAQ) register (see the following).

When enabled through the receive done-queue FIFO-enable (RDQFE) bit, the done-queue FIFO does not write to the done queue until it reaches the high watermark. When the done-queue FIFO reaches the high watermark (which is six descriptors), it attempts to empty the done-queue FIFO by burst writing to the done queue. Before it writes to the done queue, it checks (by examining the receive done-queue host read pointer) to ensure the done queue has enough room to empty the done-queue FIFO. If the done queue does not have enough room, then it only burst writes enough descriptors to keep from overflowing the done queue. If the FIFO detects that there is no room for any descriptors to be written, it sets the status bit for the receive DMA done-queue write error (RDQWE) in the status register for DMA (SDMA). It does not write to the done queue nor does it increment the write pointer. In such a scenario, packets can be lost and unrecoverable. If the done-queue FIFO can write descriptors to the done queue, it burst writes them, increments the write pointer, and sets the status bit for the receive DMA done-queue write (RDQW) in the status register for DMA (SDMA). See Section 5 for more details on status bits.

Done-Queue FIFO Flush Timer

To ensure the done-queue FIFO gets flushed to the done queue on a regular basis, the DMA uses the receive done-queue FIFO flush timer (RDQFFT) to determine the maximum wait time between writes. The RDQFFT is a 16-bit programmable counter that is decremented every PCLK divided by 256. It is only monitored by the DMA when the receive done-queue FIFO is enabled (RDQFE = 1). For a 33MHz PCLK, the timer is decremented every 7.76 μ s. Each time the DMA writes to the done queue it resets the timer to the count placed into it by the host. On initialization, the host sets a value into the RDQFFT that indicates the maximum time the DMA should wait in between writes to the done queue. For example, with a PCLK of 33MHz, the range of wait times is from 7.8 μ s (RDQFFT = 0001h) to 508ms (RDQFFT = FFFFh).

Register Name: **RDQFFT**
 Register Description: **Receive Done-Queue FIFO Flush Timer**
 Register Address: **0744h**

Bit #	7	6	5	4	3	2	1	0
Name	TC7	TC6	TC5	TC4	TC3	TC2	TC1	TC0
Default	0	0	0	0	0	0	0	0

Bit #	15	14	13	12	11	10	9	8
Name	TC15	TC14	TC13	TC12	TC11	TC10	TC9	TC8
Default	0	0	0	0	0	0	0	0

Note: Bits that are underlined are read-only, all other bits are read-write.

Bits 0 to 15/Receive Done-Queue FIFO Flush Timer Control Bits (TC0 to TC15). Please note that on system reset, the timer is set to 0000h, which is defined as an illegal setting. If the receive done-queue FIFO is to be activated (RDQFE = 1), then the host must first configure the timer to a proper state and then set the RDQFE bit to one.

0000h = illegal setting

0001h = timer count resets to 1

FFFFh = timer count resets to 65,536

Register Name: **RDMAQ**
 Register Description: **Receive DMA Queues Control**
 Register Address: **0780h**

Bit #	7	6	5	4	3	2	1	0
Name	reserved	reserved	RDQF	RDQFE	RFQSF	RFQLF	reserved	RFQFE
Default	0	0	0	0	0	0	0	0

Bit #	15	14	13	12	11	10	9	8
Name	reserved	reserved	reserved	reserved	reserved	RDQT2	RDQT1	RDQT0
Default	0	0	0	0	0	0	0	0

Note: Bits that are underlined are read-only, all other bits are read-write.

Bit 0/Receive Free-Queue FIFO Enable (RFQFE). See Section [9.2.3](#) for details.

Bit 2/Receive Free-Queue Large Buffer FIFO Flush (RFQLF). See Section [9.2.3](#) for details.

Bit 3/Receive Free-Queue Small Buffer FIFO Flush (RFQSF). See Section [9.2.3](#) for details.

Bit 4/Receive Done-Queue FIFO Enable (RDQFE). To enable the DMA to burst write descriptors to the done queue, this bit must be set to 1. If this bit is set to 0, messages are written one at a time.

0 = done-queue burst-write disabled

1 = done-queue burst-write enabled

Bit 5/Receive Done-Queue FIFO Flush (RDQF). When this bit is set to 1, the internal done-queue FIFO is flushed by sending all data into the done queue. This bit must be set to 0 for proper operation.

0 = FIFO in normal operation

1 = FIFO is flushed

Bits 8 to 10/Receive Done-Queue Status-Bit Threshold Setting (RDQT0 to RDQT2). These bits determine when the DMA sets the receive DMA done-queue write (RDQW) status bit in the status register for DMA (SDMA) register.

000 = set the RDQW status bit after each descriptor write to the done queue

001 = set the RDQW status bit after 2 or more descriptors are written to the done queue

010 = set the RDQW status bit after 4 or more descriptors are written to the done queue

011 = set the RDQW status bit after 8 or more descriptors are written to the done queue

100 = set the RDQW status bit after 16 or more descriptors are written to the done queue

101 = set the RDQW status bit after 32 or more descriptors are written to the done queue

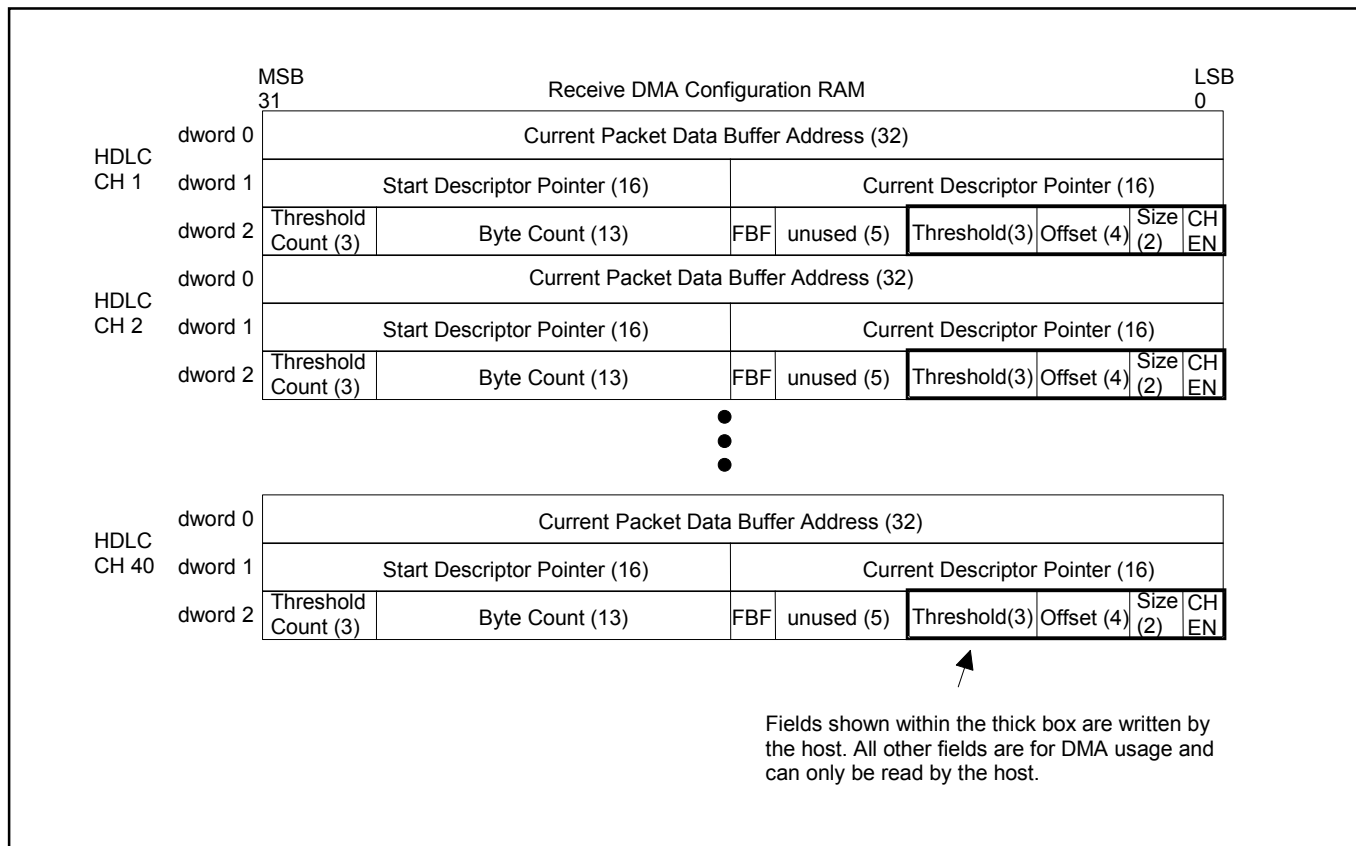
110 = set the RDQW status bit after 64 or more descriptors are written to the done queue

111 = set the RDQW status bit after 128 or more descriptors are written to the done queue

9.2.5 DMA Configuration RAM

There is a set of 120 dwords (3 dwords per channel times 40 channels) on-board the device that the host uses to configure the DMA. It uses the DMA to store values locally when it is processing a packet. Most of the fields within the DMA configuration RAM are for DMA use and the host never writes to these fields. The host is only allowed to write (configure) to the lower word of dword 2 for each HDLC channel. The host-configurable fields are denoted with a thick box as shown below.

Figure 9-9. Receive DMA Configuration RAM



- FOR DMA USE ONLY/HOST CAN ONLY READ THIS FIELD -

dword 0; Bits 0 to 31/Current Data Buffer Address. The current 32-bit address of the data buffer that is being used. This address is used by the DMA to keep track of where data should be written to as it comes in from the receive FIFO.

- FOR DMA USE ONLY/HOST CAN ONLY READ THIS FIELD -

dword 1; Bits 0 to 15/Current Descriptor Pointer. This 16-bit value is the offset from the receive descriptor base address of the current receive descriptor being used by the DMA to describe the specifics of the data stored in the associated data buffer.

- FOR DMA USE ONLY/HOST CAN ONLY READ THIS FIELD -

dword 1; Bits 16 to 31/Starting Descriptor Pointer. This 16-bit value is the offset from the receive descriptor base address of the first receive descriptor in a link-list chain of descriptors. This pointer is written into the done queue by the DMA after a specified number of data buffers (see the threshold value below) have been filled.

- HOST MUST CONFIGURE -

dword 2; Bit 0/Channel Enable (CHEN). This bit is controlled by the host to enable and disable an HDLC channel.

0 = HDLC channel disabled

1 = HDLC channel enabled

- HOST MUST CONFIGURE -

dword 2; Bits 1, 2/Buffer Size Select. These bits are controlled by the host to select the manner in which the receive DMA stores incoming packet data.

00 = use large size data buffers only

01 = use small size data buffers only

10 = fill a small buffer first, followed then by large buffers as needed

11 = illegal state and should not be selected

- HOST MUST CONFIGURE -

dword 2; Bits 3 to 6/Buffer Offset. These bits are controlled by the host to determine if the packet data written into the first data buffer should be offset by up to 15 Bytes. This allows the host complete control over the manner in which data is written into main memory.

0000 (0h) = 0-Byte offset from the data buffer address of the first data buffer

0001 (1h) = 1-Byte offset from the data buffer address of the first data buffer

1111 (Fh) = 15-Byte offset from the data buffer address of the first data buffer

- HOST MUST CONFIGURE -

dword 2; Bits 7 to 9/Threshold. These bits are controlled by the host to determine when the DMA should write into the done queue that data is available for processing. For transparent mode (RTRANS = 1), the three threshold bits must not be set to '000.'

000 = DMA should write to the done queue only after packet reception is complete

001 = DMA should write to the done queue after 1 data buffer has been filled

010 = DMA should write to the done queue after 2 data buffers have been filled

011 = DMA should write to the done queue after 3 data buffers have been filled

100 = DMA should write to the done queue after 4 data buffers have been filled

101 = DMA should write to the done queue after 5 data buffers have been filled

110 = DMA should write to the done queue after 6 data buffers have been filled

111 = DMA should write to the done queue after 7 data buffers have been filled

- FOR DMA USE ONLY/HOST CAN ONLY READ THIS FIELD -

dword 2; Bits 10 to 14/DMA Reserved. Could be any value when read. Should be set to 0 when written to by the host.

- FOR DMA USE ONLY/HOST CAN ONLY READ THIS FIELD -

dword 2; Bit 15/First Buffer Fill (FBF). This bit is set to 1 by the receive DMA when it is in the process of filling the first buffer of a packet. The DMA uses this bit to determine when to switch to large buffers when the buffer size-select field is set to 10.

- FOR DMA USE ONLY/HOST CAN ONLY READ THIS FIELD -

dword 2; Bits 16 to 28/Byte Count. The DMA uses these 13 bits to keep track of the number of bytes stored in the data buffer. Maximum is 8191 Bytes (0000h = 0 Bytes / 1FFFh = 8191 Bytes).

- FOR DMA USE ONLY/HOST CAN ONLY READ THIS FIELD -

dword 2; Bits 29 to 31/Threshold Count. These bits keep track of the number of data buffers that have been filled so that the receive DMA knows when, based on the host-controlled threshold, to write to the done queue.

000 = threshold count is 0 data buffers

001 = threshold count is 1 data buffer

010 = threshold count is 2 data buffers

011 = threshold count is 3 data buffers

100 = threshold count is 4 data buffers

101 = threshold count is 5 data buffers

110 = threshold count is 6 data buffers

111 = threshold count is 7 data buffers

Register Name: **RDMACIS**
 Register Description: **Receive DMA Channel Configuration Indirect Select**
 Register Address: **0770h**

Bit #	7	6	5	4	3	2	1	0
Name	reserved	reserved	HCID5	HCID4	HCID3	HCID2	HCID1	HCID0
Default	0	0	0	0	0	0	0	0

Bit #	15	14	13	12	11	10	9	8
Name	<u>IAB</u>	IARW	reserved	reserved	reserved	RDCW2	RDCW1	RDCW0
Default	0	0	0	0	0	0	0	0

Note: Bits that are underlined are read-only; all other bits are read-write.

Bits 0 to 5/HDLC Channel ID (HCID0 to HCID5)

000000 (00h) = HDLC channel number 1

100111 (27h) = HDLC channel number 40

Bits 8 to 10/Receive DMA Configuration RAM Word Select Bits 0 to 2 (RDCW0 to RDCW2)

000 = lower word of dword 0

001 = upper word of dword 0

010 = lower word of dword 1

011 = upper word of dword 1

100 = lower word of dword 2 (only word that the host can write to)

101 = upper word of dword 2

110 = illegal state

111 = illegal state

Bit 14/Indirect Access Read/Write (IARW). When the host wishes to read data from the internal receive DMA configuration RAM, this bit should be written to 1 by the host. This causes the device to begin obtaining the data from the channel location indicated by the HCID bits. During the read access, the IAB bit is set to 1. Once the data is ready to be read from the RDMAC register, the IAB bit is set to 0. When the host wishes to write data to the internal receive DMA configuration RAM, this bit should be written to 0 by the host. This causes the device to take the data that is currently present in the RDMAC register and write it to the channel location indicated by the HCID bits. When the device has completed the write, the IAB bit is set to 0.

Bit 15/Indirect Access Busy (IAB). When an indirect read or write access is in progress, this read-only bit is set to 1. During a read operation, this bit is set to 1 until the data is ready to be read. It is set to 0 when the data is ready to be read. During a write operation, this bit is set to 1 while the write is taking place. It is set to 0 once the write operation has completed.

Register Name: **RDMAC**
 Register Description: **Receive DMA Channel Configuration**
 Register Address: **0774h**

Bit #	<u>7</u>	<u>6</u>	<u>5</u>	<u>4</u>	<u>3</u>	<u>2</u>	<u>1</u>	<u>0</u>
Name	<u>D7</u>	<u>D6</u>	<u>D5</u>	<u>D4</u>	<u>D3</u>	<u>D2</u>	<u>D1</u>	<u>D0</u>
Default								

Bit #	<u>15</u>	<u>14</u>	<u>13</u>	<u>12</u>	<u>11</u>	<u>10</u>	<u>9</u>	<u>8</u>
Name	<u>D15</u>	<u>D14</u>	<u>D13</u>	<u>D12</u>	<u>D11</u>	<u>D10</u>	<u>D9</u>	<u>D8</u>
Default								

Note: Bits that are underlined are read-only, all other bits are read-write.

Bits 0 to 15/Receive DMA Configuration RAM Data (D0 to D15). Data that is written to or read from the Receive DMA Configuration RAM.

9.3 Transmit Side

9.3.1 Overview

The transmit DMA uses a scatter-gather technique to read packet data from main memory. The host keeps track of and decides from where (and when) the DMA should grab the outgoing packet data. A set of descriptors that get handed back and forth between the host and the DMA tells the DMA where to obtain the packet data, and the DMA can tell the host when the data has been transmitted.

The transmit DMA operation has three main areas, as shown in [Figure 9-10](#), [Figure 9-11](#), and [Table 9-G](#). The host writes to the pending queue, informing the DMA which channels have packet data ready to be transmitted. Associated with each pending-queue descriptor is a data buffer that contains the actual data payload of the HDLC packet. The data buffers can be between 1 and 8191 Bytes in length (inclusive). If an outgoing packet requires more memory than a data buffer contains, the host can link the data buffers to handle packets of any size.

The done-queue descriptors contain information that the DMA wishes to pass to the host. The DMA writes to the done queue when it has completed transmitting either a complete packet or data buffer (see below for the discussion on the DMA update to the done queue). Through the done-queue descriptors, the DMA informs the host about the status of the outgoing packet data. If an error occurs in the transmission, the done queue can be used by the host to recover the packet data that did not get transmitted and the host can then re-queue the packets for transmission.

If enabled, the DMA can burst read the pending-queue descriptors and burst write the done-queue descriptors. This helps minimize PCI bus accesses, freeing the PCI bus up to do more time-critical functions. See Sections [9.3.3](#) and [9.3.4](#) for more details on this feature.

Table 9-G. Transmit DMA Main Operational Areas

DESCRIPTORS	FUNCTION	SECTION
Packet	A dedicated area of memory that describes the location and attributes of the packet data.	9.3.2
Pending Queue	A dedicated area of memory that the host writes to inform the DMA that packet data is queued and ready for transmission.	9.3.3
Done Queue	A dedicated area of memory that the DMA writes to inform the host that the packet data has been transmitted.	9.3.4

Host Linking of Data Buffers

As previously mentioned, the data buffers are limited to a length of 8191 Bytes. If an outgoing packet requires more memory space than the available data buffer contains, the host can link multiple data buffers together to handle a packet length of any size. The host does this through the end-of-frame (EOF) bit in the packet descriptor. Each data buffer has a one-to-one association with a packet descriptor. If the host wants to link multiple data buffers together, the EOF bit is set to 0 in all but the last data buffer. [Figure 9-10](#) shows an example for HDLC channel 5 where the host has linked three data buffers together. The transmit DMA knows where to find the next data buffer when the EOF bit is set to 0 through the next descriptor pointer field.

Host Linking of Packets (Packet Chaining)

The host also has the option to link multiple packets together in a chain. Through the chain valid (CV) bit in the packet descriptor, the host can inform the transmit DMA that the next descriptor pointer field contains the descriptor of another HDLC packet that is ready for transmission. The transmit DMA ignores the CV bit until it sees EOF = 1, which indicates the end of a packet. If CV = 1 when EOF = 1, this indicates to the transmit DMA that it should use the next descriptor pointer field to find the next packet in the chain. [Figure 9-12](#) shows an example of packet chaining. Each column represents a separate packet chain. In column 1, three data buffers have been linked together by the host for packet #1, and the host has created a packet chain by setting CV = 1 in the last descriptor of packet #1.

DMA Linking of Packets (Horizontal Link Listing)

The transmit DMA also has the ability to link packets together. Internally, the transmit DMA can store up to two packet chains, but if the host places more packet chains into the pending queue, the transmit DMA must begin linking these chains together externally. The transmit DMA does this by writing to packet descriptors ([Figure 9-12](#)). If columns 1 and 2 were the only two packet chains queued for transmission, then the transmit DMA would not need to link packet chains together, but as soon as column 3 was queued for transmission, the transmit DMA had to store the third chain externally because it had no more room internally. The transmit DMA links the packet chain in the third column to the one in the second column by writing the first descriptor of the third chain in the next pending descriptor pointer field of the first descriptor of the second column (it also sets the PV bit to 1). As shown in the figure, this chaining was carried one step farther to link the fourth column to the third.

Priority Packets

The host has the option to change the order in which packets are transmitted by the DMA. If the host sets the priority packet (PRI) bit in the pending-queue descriptor to 1, then the transmit DMA knows that this packet is a priority packet and should be transmitted ahead of all standard packets. The rules for packet transmission are as follows:

- 1) Priority packets are transmitted as soon as the current standard packet (not packet chain) finishes transmission.
- 2) All priority packets are transmitted before any more standard packets are transmitted.
- 3) Priority packets are ordered on a first come, first served basis.

[Figure 9-13](#) shows an example of a set of priority packets interrupting a set of standard packets. In the example, the first priority packet chain (shown in column 2) was read by the transmit DMA from the pending queue while it was transmitting standard packet #1. It waited until standard packet #1 was complete and then began sending the priority packets. While column 2 was being sent, the priority packet chains of columns 3 and 4 arrived in the pending queue, so the transmit DMA linked column four to column three and then waited until all of the priority packets were transmitted before returning to the standard packet chain in column 1. Note that the packet chain in column 1 was interrupted to transmit the priority packets. In other words, the transmit DMA did not wait for the complete packet to finish transmitting, only the current packet.

Figure 9-10. Transmit DMA Operation

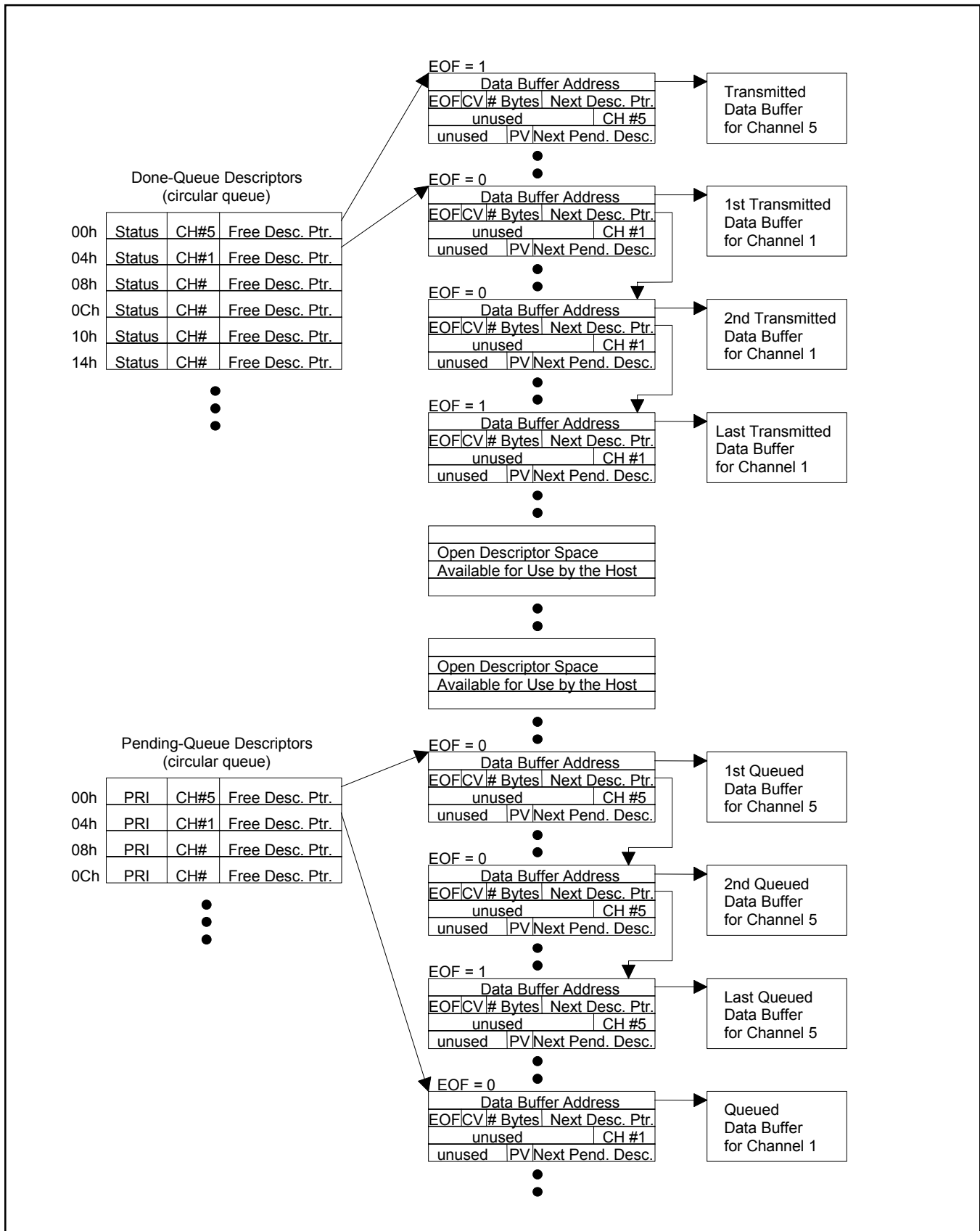


Figure 9-11. Transmit DMA Memory Organization

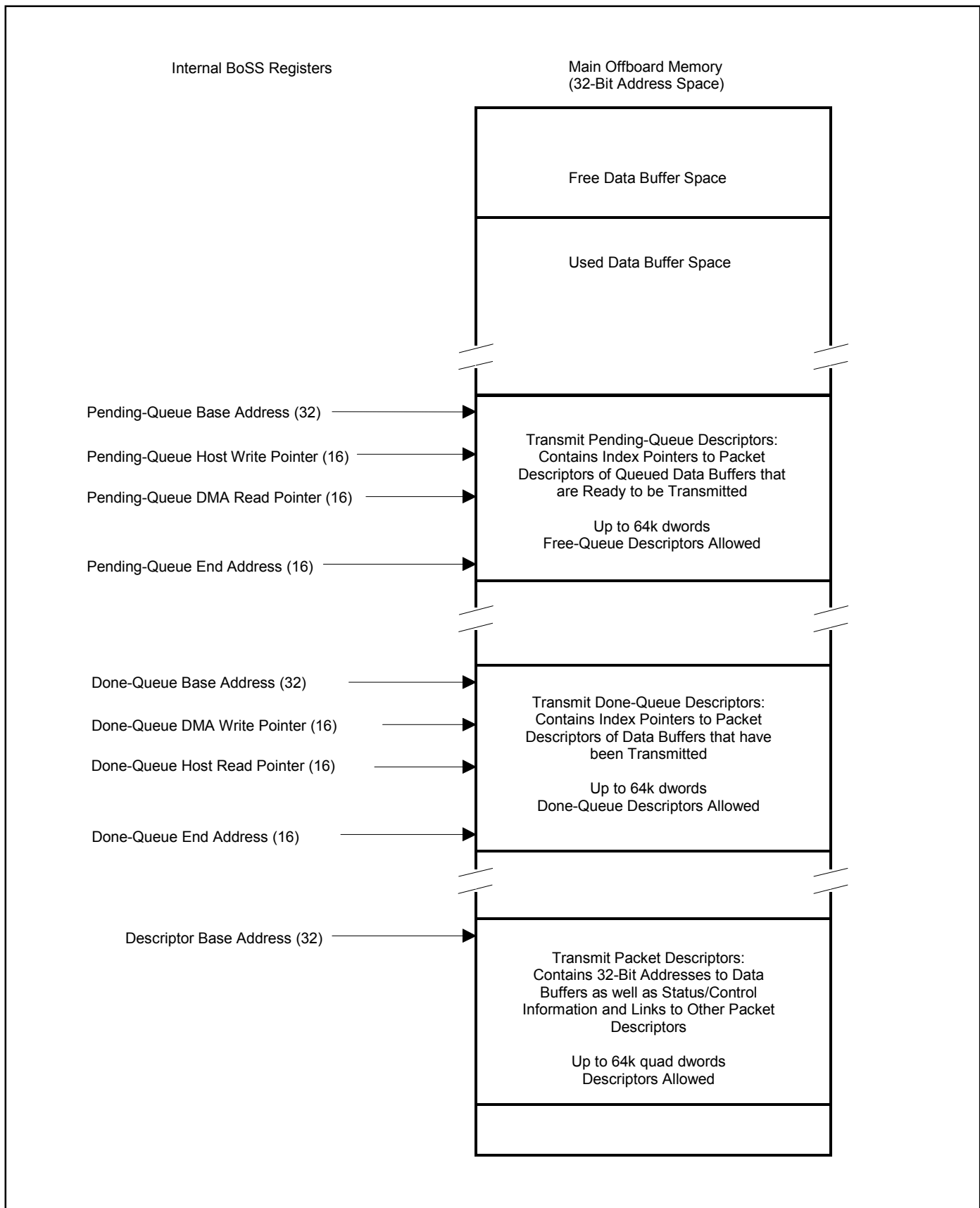


Figure 9-12. Transmit DMA Packet Handling

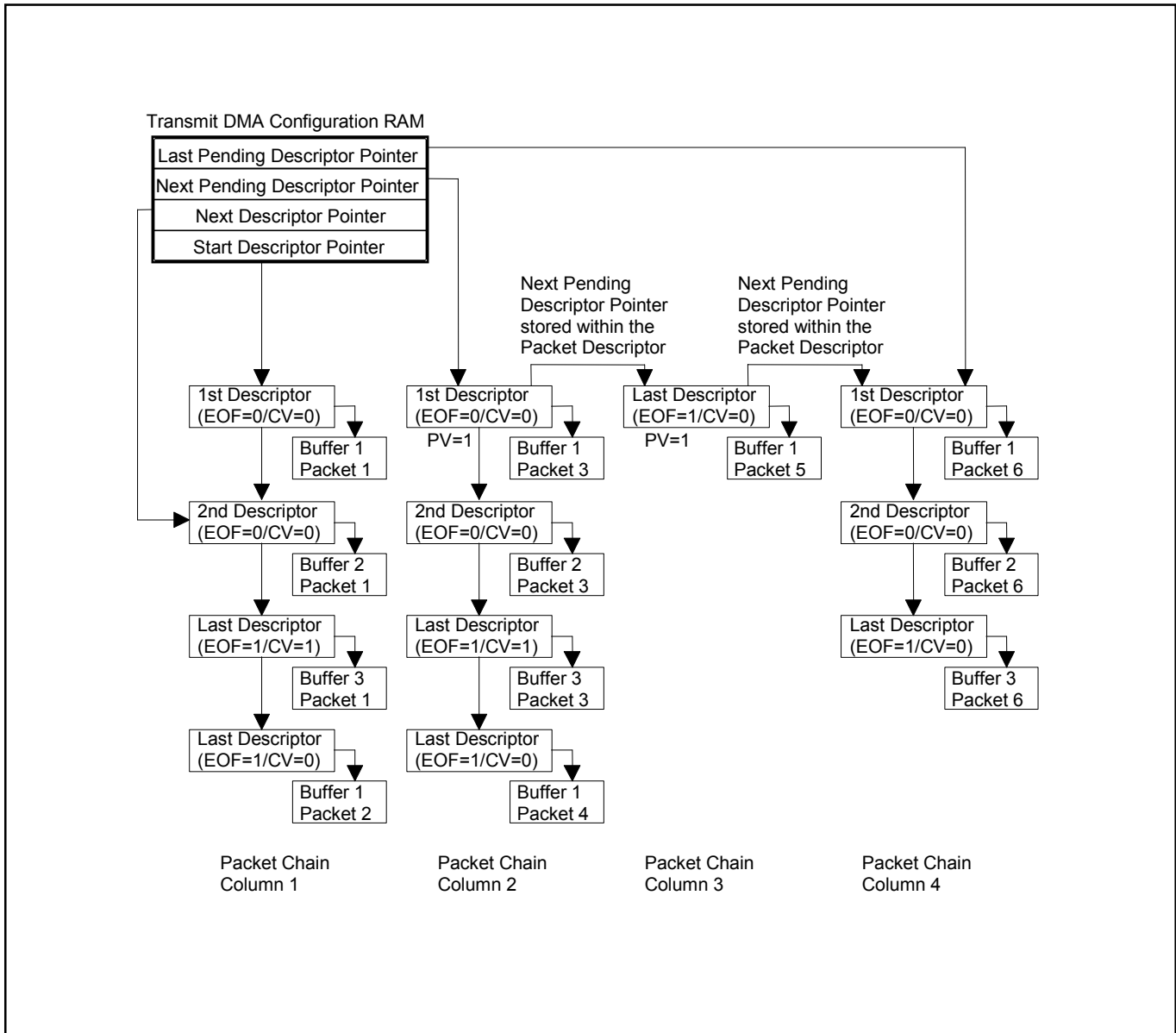
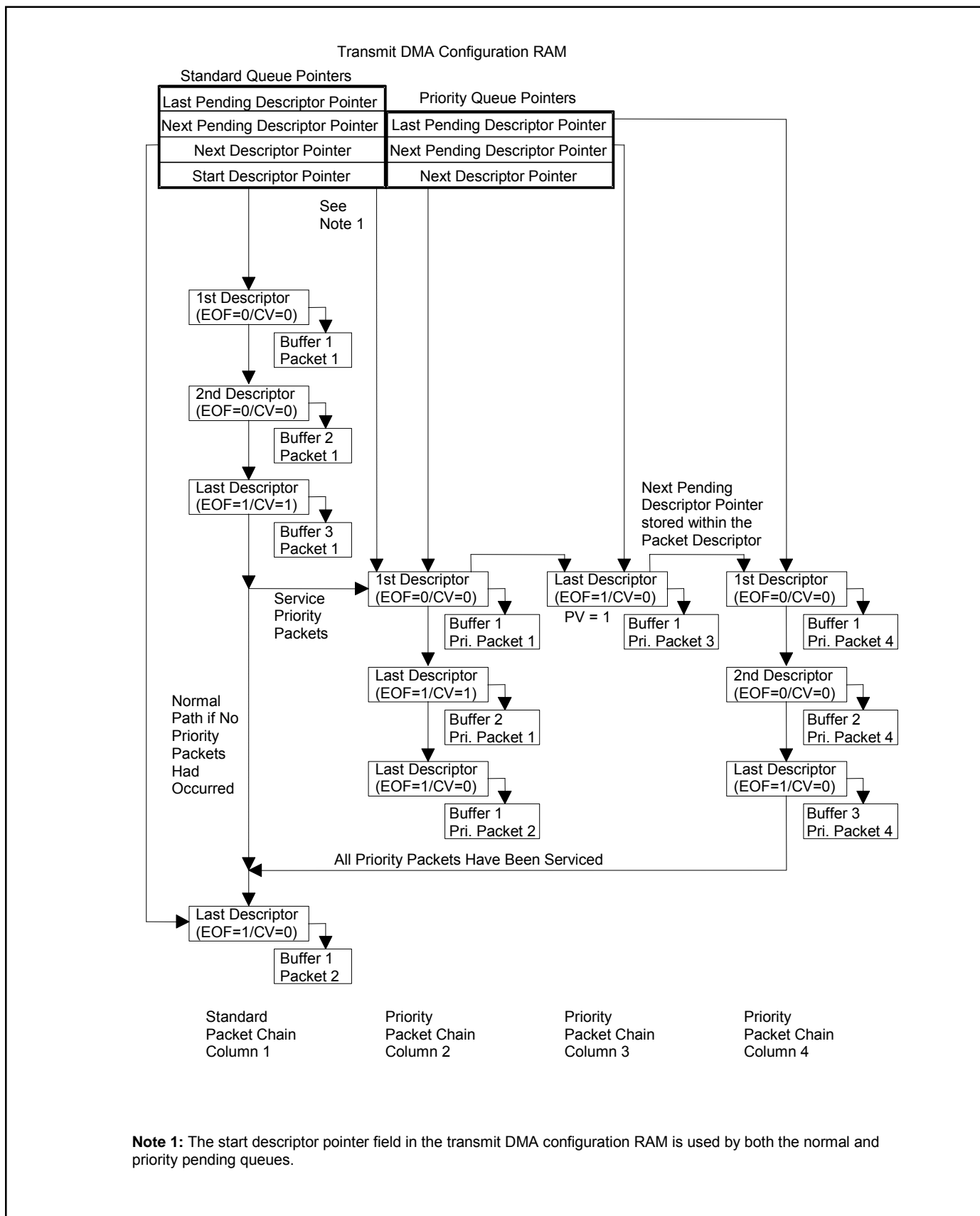


Figure 9-13. Transmit DMA Priority Packet Handling



DMA Updates to the Done Queue

The host has two options for when the transmit DMA should write descriptors that have completed transmission to the done queue. On a channel-by-channel basis, through the done-queue select (DQS) bit in the transmit DMA configuration RAM, the host can condition the DMA to:

- 1) Write to the done queue only when the complete HDLC packet has been transmitted (DQS = 0).
- 2) Write to the done queue when each data buffer has been transmitted (DQS = 1).

The status field in the done-queue descriptor is configured based on the setting of the DQS bit. If DQS = 0, it is set to 000 when a packet has successfully completed transmission of the status field. If DQS = 1, it is set to 001 when the first data buffer has successfully completed transmission of the status field. The status field is set to 010 when each middle buffer (i.e., the second through the next to last) has successfully completed transmission. The status field is set to 011 when the last data buffer of a packet has successfully completed transmission.

Error Conditions

While processing packets for transmission, the DMA can encounter a number of error conditions, which include the following:

- PCI error (an abort error)
- transmit FIFO underflow
- channel is disabled (CHEN = 0) in the transmit DMA configuration RAM
- channel number discrepancy between the pending queue and the packet descriptor
- Byte count of 0 Bytes in the packet descriptor

If any of these errors occur, the transmit DMA automatically disables the affected channel by setting the channel enable (CHEN) bit in the transmit DMA configuration RAM to 0. Then it writes the current descriptor into the done queue with the appropriate error status, as shown in [Table 9-H](#).

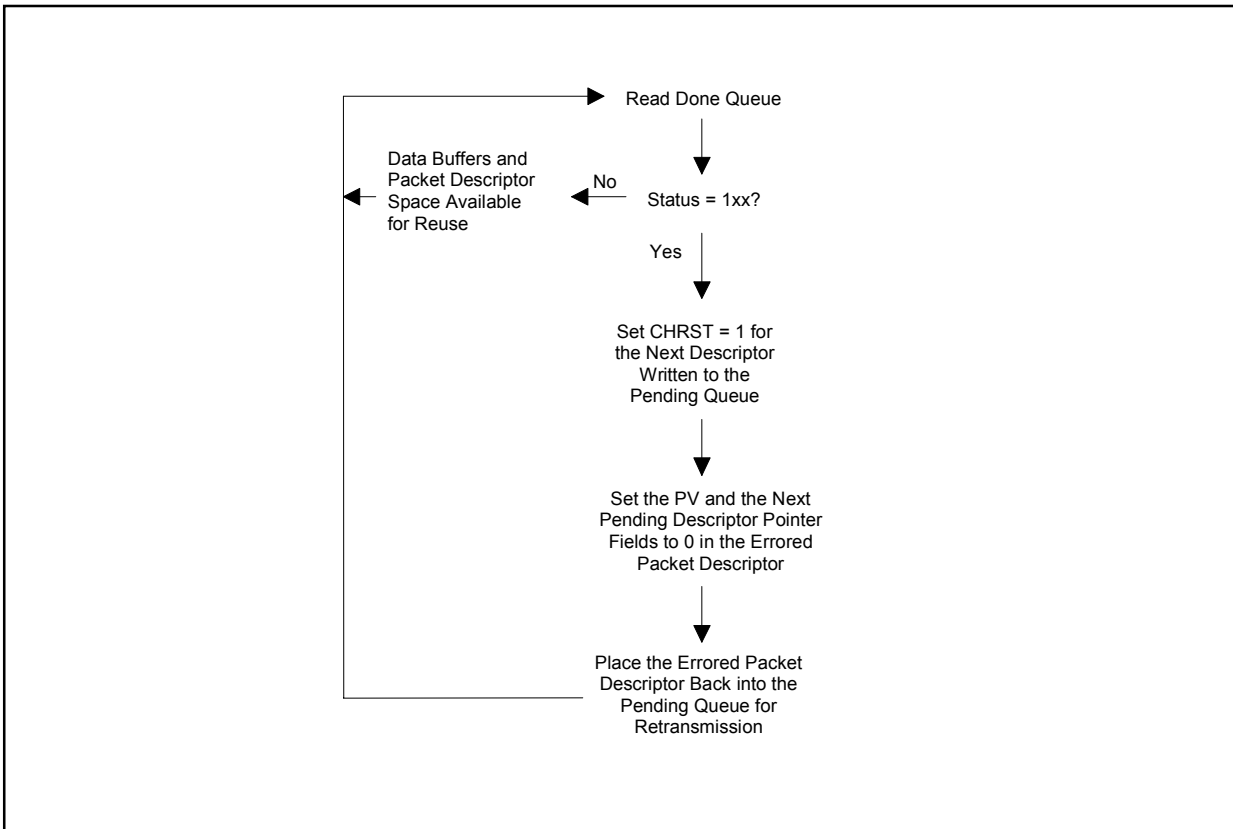
Table 9-H. Done-Queue Error-Status Conditions

PACKET STATUS	ERROR DESCRIPTION
100	Software provisioning error; this channel was not enabled
101	Descriptor error; either byte count = 0 or channel code inconsistent with pending queue
110	PCI error; either parity or abort
111	Transmit FIFO error; it has underflowed

Since the transmit DMA has disabled the channel, any remaining queued descriptors are not transmitted and are written to the done queue with a packet status of 100 (i.e., reporting that the channel was not enabled). At this point the host has two options. Option 1: It can wait until all of the remaining queued descriptors are written to the done queue with an errored status, manually re-enable the channel by setting the CHEN bit to 1, and then re-queue all of the affected packets. Option 2: As soon as it detects an errored status, it can force the channel active again by setting the channel reset (CHRST) bit to 1 for the next descriptor that it writes to the pending queue for the affected channel. As soon as the transmit DMA detects that the CHRST is set to 1, it re-enables the channel by forcing the CHEN bit to 1. The DMA does not re-enable the channel until it has finished writing all of the previously queued descriptors to the done queue. Then the host can collect the errored descriptors as they arrive in the done queue and re-queue them for transmission by writing descriptors to the pending queue, so the transmit DMA knows where to find the packets that did not get transmitted (**Note:** The host must set the next pending

descriptor pointer and PV fields in the packet descriptor to 0 to ready them for transmission). The second option allows the software a cleaner error-recovery technique. See [Figure 9-14](#) for more details.

Figure 9-14. Transmit DMA Error Recovery Algorithm



Host Actions

The host typically handles the transmit DMA as follows:

- 1) The host places readied packets into the pending queue.
- 2) The host either polls (or is interrupted) that some outgoing packets have completed transmission and that it should read the done queue.
- 3) If done queue reports that an error was incurred and that a packet was not transmitted, the host must requeue the packet for transmission.

Transmit DMA Actions

A typical scenario for the transmit DMA is as follows:

- 1) The transmit DMA constantly reads the pending queue looking for packets that are queued for transmission.
- 2) The transmit DMA updates the done queue as packets or data buffers to complete transmission.
- 3) If an error occurs, the transmit DMA disables the channel and waits for the host to request that the channel be enabled.

9.3.2 Packet Descriptors

A contiguous section of up to 65,536 quad dwords that make up the transmit packet descriptors resides in main memory. The transmit packet descriptors are aligned on a quad-dword basis and can be placed anywhere in the 32-bit address space through the transmit descriptor base address ([Table 9-I](#)). A data buffer is associated with each descriptor. The data buffer can be up to 8191 Bytes long and must be a contiguous section of main memory. The host informs the DMA of data buffers' actual sizes through the byte count field that resides in the packet descriptor.

If an outgoing packet requires more space than the data buffer allows, then packet descriptors are link-listed together by the host to provide a chain of data buffers. [Figure 9-15](#) shows an example of how three descriptors were linked together for an incoming packet on HDLC channel 7. Channel 3 only required a single data buffer and thus only one packet descriptor was used. [Figure 9-10](#) shows a similar example for channels 5 and 1.

Packet descriptors can be either pending (i.e., queued up by the host and ready for transmission by the DMA) or completed (i.e., have been transmitted by the DMA and are available for processing by the host). Pending-packet descriptors are pointed to by the pending-queue descriptors and completed packet descriptors are pointed to by the done-queue descriptors.

Table 9-I. Transmit Descriptor Address Storage

REGISTER	NAME	ADDRESS
Transmit Descriptor Base Address 0 (lower word)	TDBA0	0850h
Transmit Descriptor Base Address 1 (upper word)	TDBA1	0854h

Figure 9-15. Transmit Descriptor Example

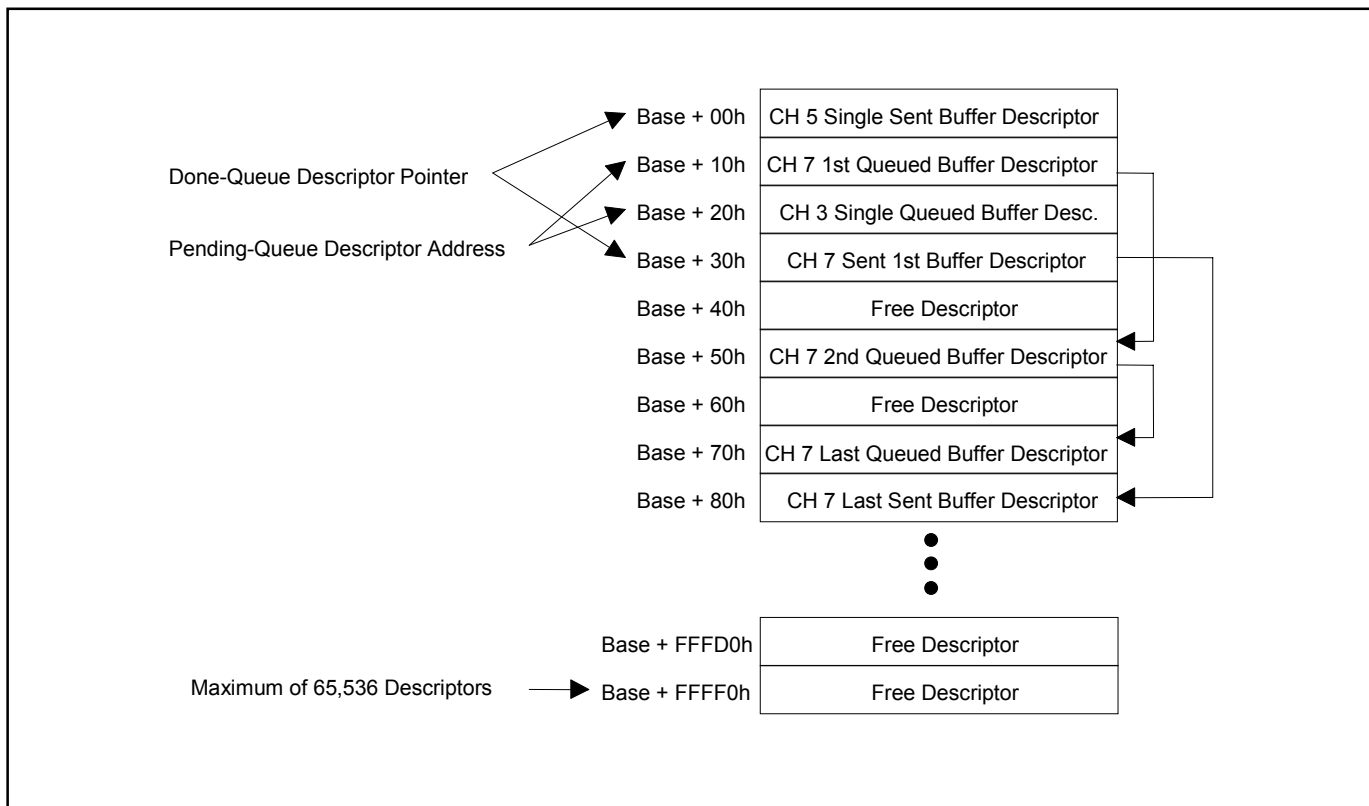


Figure 9-16. Transmit Packet Descriptors

dword 0

Data Buffer Address (32)

dword 1

EOF	CV	unused	Byte Count (13)	Next Descriptor Pointer (16)
-----	----	--------	-----------------	------------------------------

dword 2

unused (26)	HDLC CH# (6)
-------------	--------------

dword 3

unused (15)	PV	Next Pending Descriptor Pointer (16)
-------------	----	--------------------------------------

Note 1: The organization of the transmit descriptor is not affected by the enabling of Big Endian.

Note 2: The format of the transmit descriptor is almost identical to the receive descriptor; this lessens the burden of the host in preparing descriptors in store-and-forward applications.

dword 0; Bits 0 to 31/Data Buffer Address. Direct 32-bit starting address of the data buffer that is associated with this transmit descriptor.

dword 1; Bits 0 to 15/Next Descriptor Pointer. This 16-bit value is the offset from the transmit descriptor base address of the next descriptor in the chain. Only valid if EOF = 0 (next descriptor in the same packet chain) or if EOF = 1 and CV = 1 (first descriptor in the next packet).

dword 1; Bits 16 to 28/Byte Count. Number of bytes stored in the data buffer. Maximum is 8191 Bytes (0000h = 0 Bytes / 1FFFh = 8191 Bytes).

dword 1; Bit 29/Unused. This bit is ignored by the transmit DMA and can be set to any value.

dword 1; Bit 30/Chain Valid (CV). If CV is set to 1 when EOF = 1, then this indicates that the next descriptor pointer field is valid and corresponds to the first descriptor of the next packet that is queued up for transmission. The CV bit is ignored when EOF = 0.

dword 1; Bit 31/End of Frame (EOF). When set to 1, this bit indicates that the descriptor is the last buffer in the current packet. When set to 0, this bit indicates that next descriptor pointer field is valid and points to the next descriptor in the packet chain.

dword 2; Bits 0 to 5/HDLC Channel Number. HDLC channel number, which can be from 1 to 40.

000000 (00h) = HDLC channel number 1

100111 (27h) = HDLC channel number 40

dword 2; Bits 6 to 31/Unused. These bits are ignored by the transmit DMA and can be set to any value.

dword 3; Bits 0 to 15/Next Pending Descriptor Pointer. This 16-bit value is the offset from the transmit descriptor base address to another descriptor chain that is queued up for transmission. The transmit DMA can store up to two queued packet chains internally, but additional packet chains must be stored as a link list by the transmit DMA using this field. This field is only valid if PV = 1, and it should be set to 0000h by the host when the host is preparing the descriptor.

dword 3; Bit 16/Pending Descriptor Valid (PV). If set, this bit indicates that the next pending descriptor pointer field is valid and corresponds to the first descriptor of the next packet chain that is queued up for transmission. This field is written to by the transmit DMA to link descriptors together and should always be set to 0 by the host.

dword 3; Bits 17 to 31/Unused. These bits are ignored by the transmit DMA and can be set to any value.

9.3.3 Pending Queue

The host writes to the transmit pending queue the location of the readied descriptor, channel number, and control information. The descriptor space is indicated through a 16-bit pointer, which the DMA uses with the transmit packet-descriptor base address to find the exact 32-bit address of the associated transmit packet descriptor.

Figure 9-17. Transmit Pending-Queue Descriptor

dword 0

unused	Status(3)	CHRST	PRI	unused(2)	HDLC CH#(6)	Descriptor Pointer (16)
--------	-----------	-------	-----	-----------	-------------	-------------------------

Note: The organization of the pending queue is not affected by the enabling of Big Endian.

dword 0; Bits 0 to 15/Descriptor Pointer. This 16-bit value is the offset from the transmit descriptor base address to the first descriptor in a packet chain (can be a single descriptor) that is queued up for transmission.

dword 0; Bits 16 to 21/HDLC Channel Number. HDLC channel number, which can be from 1 to 40.

000000 (00h) = HDLC channel number 1

100111 (27h) = HDLC channel number 40

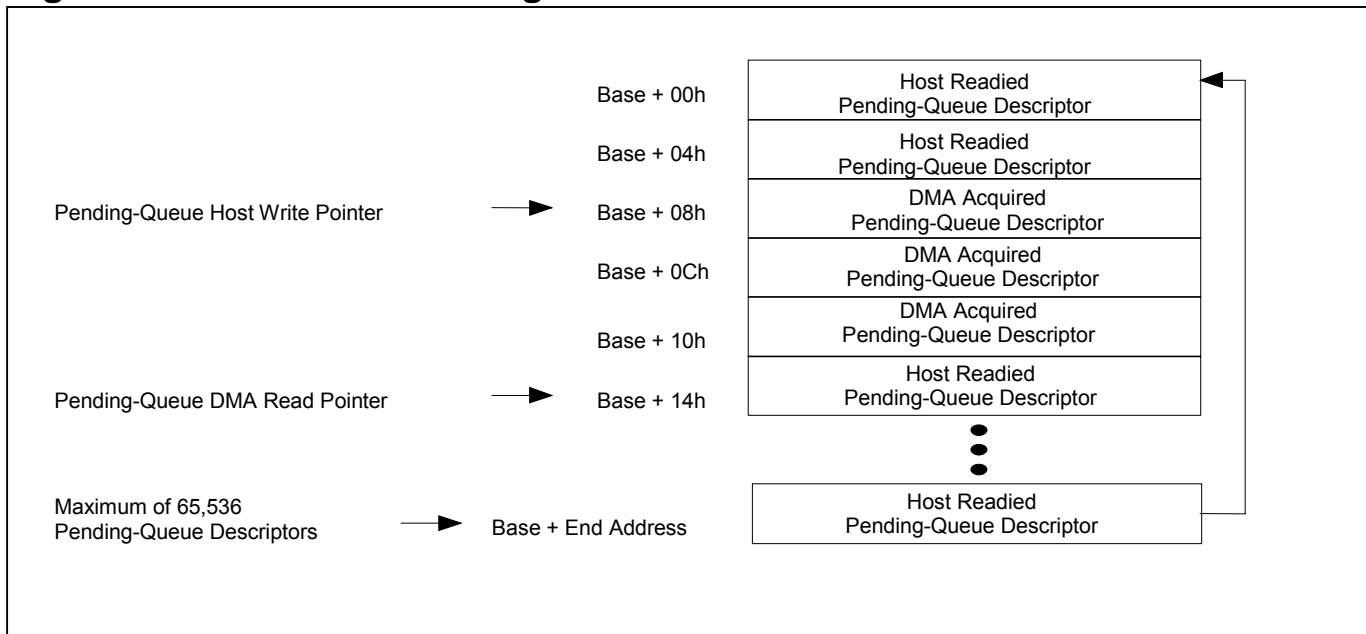
dword 0; Bits 22 to 23/Unused. Not used by the DMA. Can be set to any value by the host and is ignored by the transmit DMA.

dword 0; Bit 24/Priority Packet (PRI). If this bit is set to 1, then this indicates to the transmit DMA that the packet or packet chain pointed to by the descriptor pointer field should be transmitted immediately after the current packet transmission (whether it be standard or priority) is complete.

dword 0; Bit 25/Channel Reset (CHRST). Under normal operating conditions, this bit should always be set to 0. When an error condition occurs and the transmit DMA places the channel into an out-of-service state by setting the channel enable (CHEN) bit in the transmit DMA configuration register to 0, the host can force the channel active again by setting the CHRST bit to 1. Only the first descriptor loaded into the pending queue after an error condition should have CHRST set to 1; all subsequent descriptors (until another error condition occurs) should have CHRST set to 0. The transmit DMA examines this bit and forces the channel active (CHEN = 1) if CHRST is set to 1. If CHRST is set to 0, then the transmit DMA does not modify the state of the CHEN bit. See Section [9.2.2](#) for more details about how error conditions are handled.

dword 0; Bits 26 to 28/Packet Status. Not used by the DMA. Can be set to any value by the host and is ignored by the transmit DMA. This field is used by the transmit DMA when it writes to the done queue to inform the host of the status of the outgoing packet data.

dword 0; Bits 29 to 31/Unused. Not used by the DMA. Can be set to any value by the host and is ignored by the transmit DMA.

Figure 9-18. Transmit Pending-Queue Structure

Once the transmit DMA is activated (by setting the TDE control bit in the master configuration register; see Section 5), it can begin reading data out of the pending queue. It knows where to read the data by reading the read pointer and adding it to the base address to obtain the actual 32-bit address. Once the DMA has read the pending queue, it increments the read pointer by one dword. A check must be made to ensure the incremented address does not exceed the transmit pending-queue end address. If the incremented address does exceed this address, the incremented read pointer is set equal to 0000h.

Status/Interrupts

On each read of the pending queue by the DMA, the DMA sets the status bit for transmit DMA pending-queue read (TPQR) in the status register for DMA (SDMA). The status bits can also (if enabled) cause an hardware interrupt to occur. See Section 5 for more details.

Pending-Queue Burst Reading

The DMA has the ability to read the pending queue in bursts, which allows for a more efficient use of the PCI bus. The DMA can grab descriptors from the pending queue in groups rather than one at a time, freeing up the PCI bus for more time-critical functions.

An internal FIFO can store up to 16 pending-queue descriptors (16 dwords, since each descriptor occupies one dword). The host must configure the pending-queue FIFO for proper operation through the transmit DMA queues-control (TDMAQ) register (see the following).

When enabled through the transmit pending-queue FIFO-enable (TPQFE) bit, the pending-queue FIFO does not read the pending queue until it is empty. When the pending queue is empty, it attempts to fill the FIFO with additional descriptors by burst reading the pending queue. Before it reads the pending queue, it checks (by examining the transmit pending-queue host write pointer) to ensure the pending queue contains enough descriptors to fill the pending-queue FIFO. If the pending queue does not have enough descriptors to fill the FIFO, it only reads enough to empty the pending queue. If the FIFO detects that there are no pending-queue descriptors available for it to read, then it waits and tries again later. If the pending-queue FIFO can read descriptors from the pending queue, it burst reads them, increments the read pointer, and sets the status bit for transmit DMA pending-queue read (TPQR) in the status register for DMA (SDMA). See Section 5 for more details about status bits.

Register Name: **TDMAQ**
 Register Description: **Transmit DMA Queues Control**
 Register Address: **0880h**

Bit #	7	6	5	4	3	2	1	0
Name	reserved	reserved	reserved	reserved	<u>TDQF</u>	<u>TDQFE</u>	<u>TPQF</u>	<u>TPQFE</u>
Default	0	0	0	0	0	0	0	0

Bit #	15	14	13	12	11	10	9	8
Name	reserved	reserved	reserved	reserved	reserved	<u>TDQT2</u>	<u>TDQT1</u>	<u>TDQT0</u>
Default	0	0	0	0	0	0	0	0

Note: Bits that are underlined are read-only; all other bits are read-write.

Bit 0/Transmit Pending-Queue FIFO Enable (TPQFE). This bit must be set to 1 to enable the DMA to burst read descriptors from the pending queue. If this bit is set to 0, descriptors are read one at a time.

- 0 = pending-queue burst read disabled
- 1 = pending-queue burst read enabled

Bit 1/Transmit Pending-Queue FIFO Flush (TPQF). When this bit is set to 1, the internal pending-queue FIFO is flushed (currently loaded pending-queue descriptors are lost). This bit must be set to 0 for proper operation.

- 0 = FIFO in normal operation
- 1 = FIFO is flushed

Bit 2/Transmit Done-Queue FIFO Enable (TDQFE). See Section [9.3.4](#) for details.

Bit 3/Transmit Done-Queue FIFO Flush (TDQF). See Section [9.3.4](#) for details.

Bits 8 to 10/Transmit Done-Queue Status Bit Threshold Setting (TDQT0 to TDQT2). See Section [9.3.4](#) for more details.

9.3.4 Done Queue

The DMA writes to the transmit done queue when it has finished either transmitting a complete packet chain or a complete data buffer. This option is selected by the host when it configures the DQS field in the transmit DMA configuration RAM (Section 9.3.5). The descriptor location is indicated in the done queue through a 16-bit pointer that the host uses along with the transmit descriptor base address to find the exact 32-bit address of the associated transmit descriptor.

Figure 9-19. Transmit Done-Queue Descriptor

dword 0

Status(3)	CHRST	PRI	00b	HDLC CH#(6)	Descriptor Pointer (16)
-----------	-------	-----	-----	-------------	-------------------------

Note: The organization of the done queue is not affected by the enabling of Big Endian.

dword 0; Bits 0 to 15/Descriptor Pointer. This 16-bit value is the offset from the transmit descriptor base address to either the first descriptor in a HDLC packet (can be a single descriptor) that has been transmitted (DQS = 0) or the descriptor that corresponds to a single data buffer that has been transmitted (DQS = 1).

dword 0; Bits 16 to 21/HDLC Channel Number. HDLC channel number, which can be from 1 to 40.

000000 (00h) = HDLC channel number 1

100111 (27h) = HDLC channel number 40

dword 0; Bits 22 to 23/Unused. Set to 00b by the DMA.

dword 0; Bit 24/Priority Packet (PRI). This field is meaningless in the done queue and could be set to any value. See Section 9.3.3 for details.

dword 0; Bit 25/Channel Reset (CH RST). This field is meaningless in the done queue and could be set to any value. See Section 9.3.3 for details.

dword 0; Bits 26 to 28/Packet Status. These three bits report the final status of an outgoing packet. All of the error states cause a HDLC abort sequence (eight 1s in a row, followed by continuous interfill bytes of either FFh or 7Eh) to be sent, and the channel is placed out of service by the transmit DMA, setting the channel enable (CHEN) bit in the transmit DMA configuration RAM to 0. The status state of 000 is only used when the channel has been configured by the host to write to the done queue only after a complete HDLC packet (can be a single data buffer) has been transmitted (i.e., DQS = 0). The status states of 001, 010, and 011 are only used when the channel has been configured by the host to write to the done queue after each data buffer has been transmitted (i.e., DQS = 1).

000 = packet transmission complete and the descriptor pointer field corresponds to the first descriptor in a HDLC packet (can be a single descriptor) that has been transmitted (DQS = 0)

001 = first buffer transmission complete of a multi- (or single) buffer packet (DQS = 1)

010 = middle buffer transmission complete of a multi-buffer packet (DQS = 1)

011 = last buffer transmission complete of a multi-buffer packet (DQS = 1)

100 = software provisioning error; this channel was not enabled

101 = descriptor error; either byte count = 0 or channel code inconsistent with pending queue

110 = PCI error; abort

111 = transmit FIFO error; it has underflowed

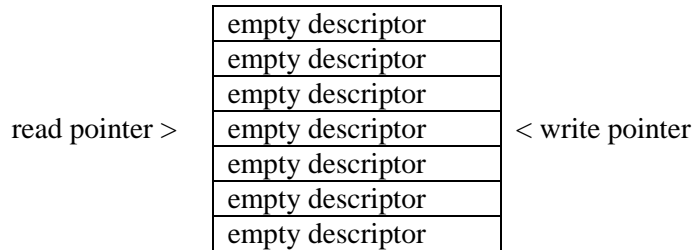
dword 0; Bits 29 to 31/Unused. Not used by the DMA. Could be any value when read.

The host reads from the transmit done queue to find which data buffers and their associated descriptors have completed transmission. The transmit done queue is circular queue. A set of internal addresses within the device that are accessed by both the host and the DMA keep track of the circular queue addresses in the transmit done queue. On initialization, the host configures all of the registers, as shown in [Table 9-K](#). After initialization, the DMA only writes to (changes) the write pointer and the host only writes to the read pointer.

Empty Case

The transmit done queue is considered empty when the read and write pointers are identical.

Transmit Done-Queue Empty State



Full Case

The transmit done queue is considered full when the read pointer is ahead of the write pointer by one descriptor. Therefore, one descriptor must always remain empty.

Transmit Done-Queue Full State

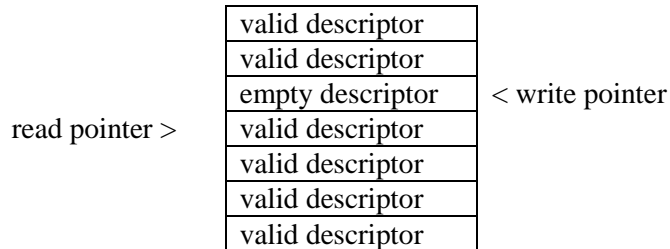
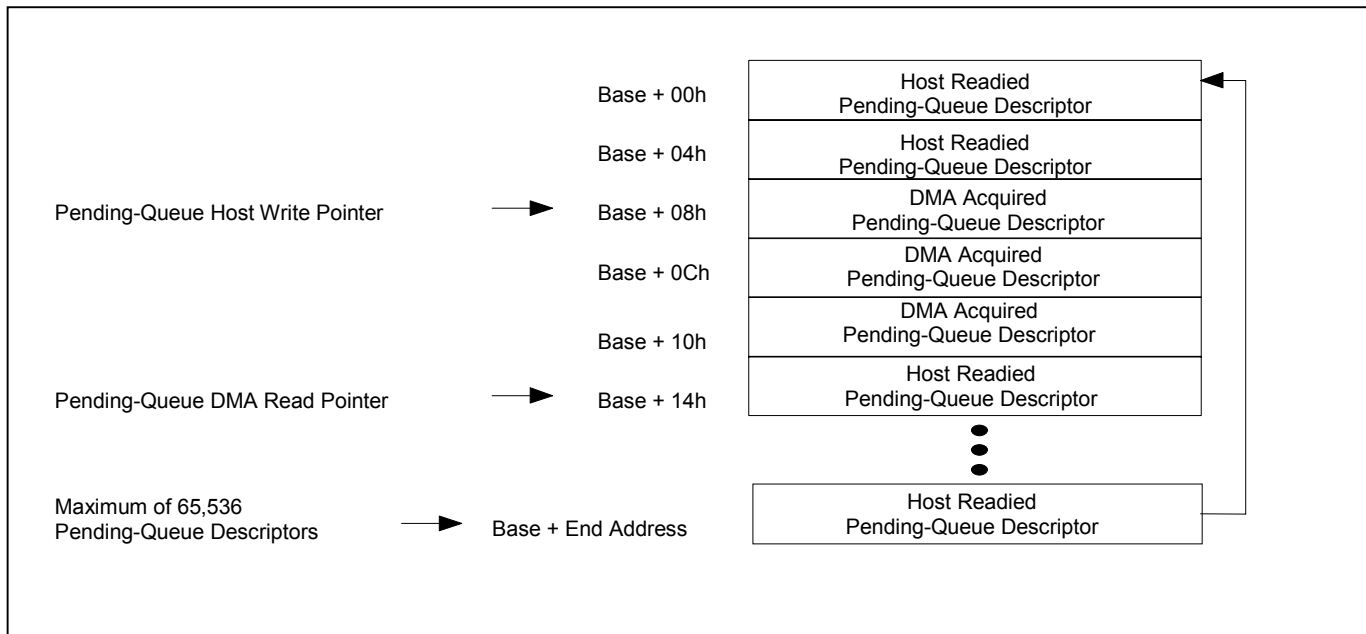


Table 9-K. Transmit Done-Queue Internal Address Storage

REGISTER	NAME	ADDRESS
Transmit Done-Queue Base Address 0 (lower word)	TDQBA0	0830h
Transmit Done-Queue Base Address 1 (upper word)	TDQBA1	0834h
Transmit Done-Queue DMA Write Pointer	TDQWP	0840h
Transmit Done-Queue Host Read Pointer	TDQRP	083Ch
Transmit Done-Queue End Address	TDQEA	0838h
Transmit Done-Queue FIFO Flush Timer	TDQFFT	0844h

Figure 9-20. Transmit Done-Queue Structure

Once the transmit DMA is activated (through the TDE control bit in the Master Configuration register; see Section 5 for more details), it can begin writing data to the done queue. It knows where to write data into the done queue by reading the write pointer and adding it to the base address to obtain the actual 32-bit address. Once the DMA writes to the done queue, it increments the write pointer by one dword. A check must be made to ensure the incremented address does not exceed the transmit done-queue end address. If the incremented address does exceed this address, then the incremented write pointer is set equal to 0000h (i.e., the base address).

Status Bits/Interrupts

On writes to the done queue by the DMA, the DMA sets the status bit for the transmit DMA done-queue write (TDQW) in the status register for DMA (SDMA). The host can configure the DMA to either set this status bit on each write to the done queue or only after multiple (from 2 to 128) writes. The host controls this by setting the TDQT0 to TDQT2 bits in the transmit DMA queues-control (TDMAQ) register. See the description of the TDMAQ register at the end of this section for more details. The DMA also checks the transmit done-queue host read pointer to ensure that an overflow does not occur. If this does occur, then the DMA sets the status bit for transmit DMA done-queue write error (TDQWE) in the status register for DMA (SDMA), and it does not write to the done queue nor does it increment the write pointer. In such a scenario, information on transmitted packets is lost and unrecoverable. Each of the status bits can also (if enabled) cause an hardware interrupt to occur. See Section 5 for more details.

Done-Queue Burst Writing

Done-queue FIFO can write descriptors to the done queue, and then it burst writes them, increments the write pointer, and sets the status bit for transmit DMA done-queue write (TDQW) in the status register for DMA (SDMA). See Section 5 for more details about status bits.

Done-Queue FIFO Flush Timer

To ensure the done-queue FIFO gets flushed to the done queue on a regular basis, the transmit done-queue FIFO flush timer (TDQFFT) is used by the DMA to determine the maximum wait time in between writes. The TDQFFT is a 16-bit programmable counter that is decremented every PCLK divided by 256. It is only monitored by the DMA when the transmit done-queue FIFO is enabled (TDQFE = 1). For a 33MHz PCLK, the timer is decremented every 7.76 μ s. Each time the DMA writes to the done queue it resets the timer to the count placed into it by the host. On initialization, the host sets a value into the TDQFFT that indicates the maximum time the DMA should wait in between writes to the done queue. For example, with a PCLK of 33MHz, the range of wait times is from 7.8 μ s (RDQFFT = 0001h) to 508ms (RDQFFT = FFFFh).

Register Name: **TDQFFT**
 Register Description: **Transmit Done-Queue FIFO Flush Timer**
 Register Address: **0844h**

Bit #	7	6	5	4	3	2	1	0
Name	TC7	TC6	TC5	TC4	TC3	TC2	TC1	TC0
Default	0	0	0	0	0	0	0	0

Bit #	15	14	13	12	11	10	9	8
Name	TC15	TC14	TC13	TC12	TC11	TC10	TC9	TC8
Default	0	0	0	0	0	0	0	0

Note: Bits that are underlined are read-only; all other bits are read-write.

Bits 0 to 15/Transmit Done-Queue FIFO Flush Timer Control Bits (TC0 to TC15). Please note that on system reset, the timer is set to 0000h, which is defined as an illegal setting. If the receive done-queue FIFO is to be activated (TDQFE = 1), the host must first configure the timer to a proper state and then set the TDQFE bit to 1.

0000h = illegal setting

0001h = timer count resets to 1

FFFFh = timer count resets to 65,536

Register Name: **TDMAQ**
 Register Description: **Transmit DMA Queues Control**
 Register Address: **0880h**

Bit #	7	6	5	4	3	2	1	0
Name	reserved	reserved	reserved	reserved	<u>TDQF</u>	<u>TDQFE</u>	<u>TPQF</u>	<u>TPQFE</u>
Default	0	0	0	0	0	0	0	0

Bit #	15	14	13	12	11	10	9	8
Name	reserved	reserved	reserved	reserved	reserved	<u>TDQT2</u>	<u>TDQT1</u>	<u>TDQT0</u>
Default	0	0	0	0	0	0	0	0

Note: Bits that are underlined are read-only; all other bits are read-write.

Bit 0/Transmit Pending-Queue FIFO Enable (TPQFE). See Section [9.3.3](#) for details.

Bit 1/Transmit Pending-Queue FIFO Flush (TPQLF). See Section [9.3.3](#) for details.

Bit 3/Transmit Done-Queue FIFO Enable (TDQFE). This bit must be set to 1 to enable the DMA to burst write descriptors to the done queue. If this bit is set to 0, descriptors are written one at a time.

0 = done-queue burst write disabled

1 = done-queue burst write enabled

Bit 4/Transmit Done-Queue FIFO Flush (TDQF). When this bit is set to 1, the internal done-queue FIFO is flushed by sending all data into the done queue. This bit must be set to 0 for proper operation.

0 = FIFO in normal operation

1 = FIFO is flushed

Bits 8 to 10/Transmit Done-Queue Status Bit Threshold Setting (TDQT0 to TDQT2). These bits determine when the DMA sets the transmit DMA done-queue write (TDQW) status bit in the status register for DMA (SDMA) register.

000 = set the TDQW status bit after each descriptor write to the done queue

001 = set the TDQW status bit after 2 or more descriptors are written to the done queue

010 = set the TDQW status bit after 4 or more descriptors are written to the done queue

011 = set the TDQW status bit after 8 or more descriptors are written to the done queue

100 = set the TDQW status bit after 16 or more descriptors are written to the done queue

101 = set the TDQW status bit after 32 or more descriptors are written to the done queue

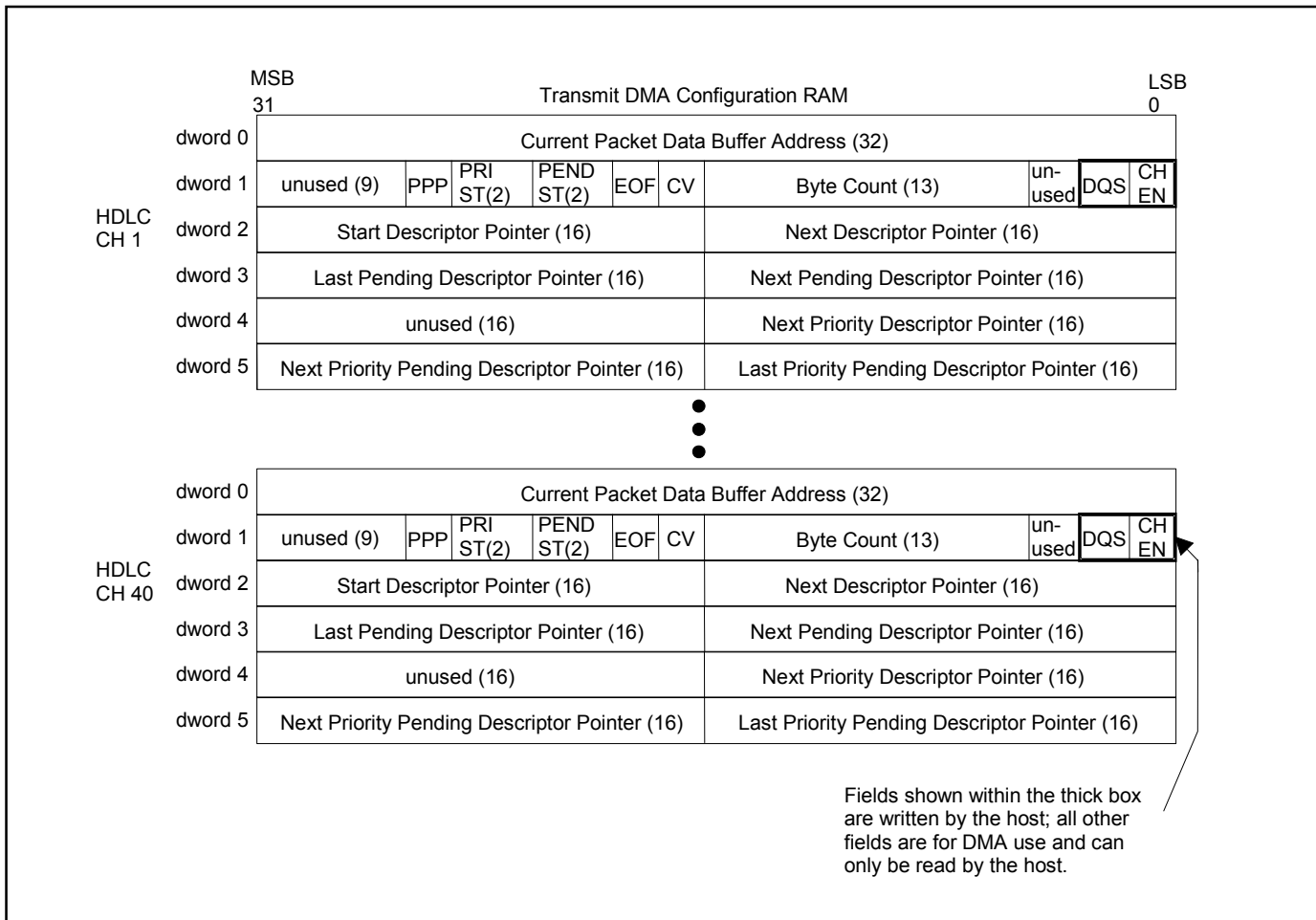
110 = set the TDQW status bit after 64 or more descriptors are written to the done queue

111 = set the TDQW status bit after 128 or more descriptors are written to the done queue

9.3.5 DMA Configuration RAM

The device contains an on-board set of 240 dwords (6 dwords per channel times 40 channels) that are used by the host to configure the DMA and used by the DMA to store values locally when it is processing a packet. Most of the fields within the DMA configuration RAM are for DMA use and the host never writes to these fields. The host is only allowed to write (configure) to the lower word of dword 1 for each HDLC channel. In [Figure 9-21](#), the host-configurable fields are denoted with a thick box.

Figure 9-21. Transmit DMA Configuration RAM



- FOR DMA USE ONLY/HOST CAN ONLY READ THIS FIELD -

dword 0; Bits 0 to 31/Current Data Buffer Address. This is the current 32-bit address of the data buffer that is being used. This address is used by the DMA to keep track of where data should be read from as it is passed to the transmit FIFO.

- HOST MUST CONFIGURE -

dword 1; Bit 0/Channel Enable (CHEN). This bit is controlled by both the host and the transmit DMA to enable and disable a HDLC channel. The DMA automatically disables a channel when an error condition occurs (see Section [9.2.2](#) for a discussion on error conditions). The DMA automatically enables a channel when it detects that the channel reset (CHRST) bit in the pending-queue descriptor is set to 1.

0 = HDLC channel disabled

1 = HDLC channel enabled

- HOST MUST CONFIGURE -

dword 1; Bit 1/Done-Queue Select (DQS). This bit determines whether the transmit DMA writes to the done queue only after a complete HDLC packet (which may be only a single buffer) has been transmitted (in which case the descriptor pointer in the done queue corresponds to the first descriptor of the packet) or whether it should write to the done queue after each data buffer has been transmitted (in which case the descriptor pointer in the done queue corresponds to a single data buffer). The setting of this bit also affects the reporting of the status field in the transmit done queue. When DQS = 0, the only nonerrored status possible is a setting of 000. When DQS = 1, then the nonerrored settings of 001, 010, and 011 are possible.

0 = write to the done queue only after a complete HDLC packet has been transmitted

1 = write to the done queue after each data buffer is transmitted

- FOR DMA USE ONLY/HOST CAN ONLY READ THIS FIELD -

dword 1; Bit 2/Unused. This field is not used by the DMA and could be any value when read.

- FOR DMA USE ONLY/HOST CAN ONLY READ THIS FIELD -

dword 1; Bits 3 to 15/Byte Count. The DMA uses these 13 bits to keep track of the number of bytes stored in the data buffer. Maximum is 8191 Bytes (0000h = 0 Bytes / 1FFFh = 8191 Bytes).

- FOR DMA USE ONLY/HOST CAN ONLY READ THIS FIELD -

dword 1; Bit 16/Chain Valid (CV). This is an internal copy of the CV field that resides in the current packet descriptor that the DMA is operating on. See Section [9.2.2](#) for more details on the CV bit.

- FOR DMA USE ONLY/HOST CAN ONLY READ THIS FIELD -

dword 1; Bit 17/End Of Frame (EOF). This is an internal copy of the EOF field that resides in the current Packet Descriptor that the DMA is operating on. See Section [9.2.2](#) for more details about the EOF bit.

- FOR DMA USE ONLY/HOST CAN ONLY READ THIS FIELD -

dword 1; Bits 18 to 19/Pending State (PENDST). This field is used by the transmit DMA to keep track of queued descriptors as they arrive from the pending queue and for the DMA to know when it should create a horizontal linked list of transmit descriptors and where it can find the next valid descriptor. This field handles standard packets and the PRIST field handles priority packets.

State	Next Descriptor Pointer Field	Next Pending Descriptor Pointer Field
00	Not Valid	Not Valid
01	Valid	Not Valid
10	Not Valid	Valid
11	Valid	Valid

- FOR DMA USE ONLY/HOST CAN ONLY READ THIS FIELD -

dword 1; Bits 20 to 21/Priority State (PRIST). This field is used by the transmit DMA to keep track of queued priority descriptors as they arrive from the pending queue, and for the DMA to know when it should create a horizontal linked list of transmit priority descriptors and where it can find the next valid priority descriptor. This field handles priority packets and the PENDST field handles standard packets.

State	Next Priority Descriptor Pointer Field	Next Priority Pending Descriptor Pointer Field
00	Not Valid	Not Valid
01	Valid	Not Valid
10	Not Valid	Valid
11	Valid	Valid

-FOR DMA USE ONLY/HOST CAN ONLY READ THIS FIELD -

dword 1; Bit 22/ Processing Priority Packet (PPP). This bit is set to 1 when the DMA is currently processing a priority packet.

- FOR DMA USE ONLY/HOST CAN ONLY READ THIS FIELD -

dword 1; Bits 23 to 31/Unused. This field is not used by the DMA and could be any value when read.

- FOR DMA USE ONLY/HOST CAN ONLY READ THIS FIELD -

dword 2; Bits 0 to 15/Next Descriptor Pointer. This 16-bit value is the offset from the transmit descriptor base address of the next transmit packet descriptor for the packet that is currently being transmitted. Only valid if EOF = 0 or if EOF = 1 and CV = 1.

- FOR DMA USE ONLY/HOST CAN ONLY READ THIS FIELD -

dword 2; Bits 16 to 31/Start Descriptor Pointer. This 16-bit value is the offset from the transmit descriptor base address of the first transmit packet descriptor for the packet that is currently being transmitted. If DQS = 0, then this pointer is written back to the done queue when the packet has completed transmission. This field is used by the DMA for processing standard as well as priority packets.

- FOR DMA USE ONLY/HOST CAN ONLY READ THIS FIELD -

dword 3; Bits 0 to 15/Next Pending Descriptor Pointer. This 16-bit value is the offset from the transmit descriptor base address of the first transmit packet descriptor for the packet that is queued up next for transmission.

- FOR DMA USE ONLY/HOST CAN ONLY READ THIS FIELD -

dword 3; Bits 16 to 31/Last Pending Descriptor Pointer. This 16-bit value is the offset from the transmit descriptor base address of the first transmit packet descriptor for the packet that is queued up last for transmission.

- FOR DMA USE ONLY/HOST CAN ONLY READ THIS FIELD -

dword 4; Bits 0 to 15/Next Priority Descriptor Pointer. This 16-bit value is the offset from the transmit descriptor base address of the next transmit priority packet descriptor for the priority packet that is currently being transmitted. Only valid if EOF = 0 or if EOF = 1 and CV = 1.

- FOR DMA USE ONLY/HOST CAN ONLY READ THIS FIELD -

dword 4; Bits 16 to 31/Unused. This field is not used by the DMA and could be any value when read.

- FOR DMA USE ONLY/HOST CAN ONLY READ THIS FIELD -

dword 5; Bits 0 to 15/Last Priority Pending Descriptor Pointer. This 16-bit value is the offset from the transmit descriptor base address of the first transmit priority packet descriptor for the priority packet that is queued up last for transmission.

- FOR DMA USE ONLY/HOST CAN ONLY READ THIS FIELD -

dword 5; Bits 16 to 31/Next Priority Pending Descriptor Pointer. This 16-bit value is the offset from the transmit descriptor base address of the first transmit priority packet descriptor for the packet priority that is queued up next for transmission.

Register Name: **TDMACIS**
 Register Description: **Transmit DMA Configuration Indirect Select**
 Register Address: **0870h**

Bit #	7	6	5	4	3	2	1	0
Name	reserved	reserved	HCID5	HCID4	HCID3	HCID2	HCID1	HCID0
Default	0	0	0	0	0	0	0	0

Bit #	15	14	13	12	11	10	9	8
Name	<u>IAB</u>	IARW	reserved	reserved	TDCW3	TDCW2	TDCW1	TDCW0
Default	0	0	0	0	0	0	0	0

Note: Bits that are underlined are read-only; all other bits are read-write.

Bits 0 to 5/HDLC Channel ID (HCID0 to HCID5)

000000 (00h) = HDLC channel number 1

100111 (27h) = HDLC channel number 40

Bits 8 to 11/Transmit DMA Configuration RAM Word Select Bits 0 to 3 (TDCW0 to TDCW3)

0000 = lower word of dword 0

0001 = upper word of dword 0

0010 = lower word of dword 1 (only word that the host can write to)

0011 = upper word of dword 1

0100 = lower word of dword 2

0101 = upper word of dword 2

0110 = lower word of dword 3

0111 = upper word of dword 3

1000 = lower word of dword 4

1001 = upper word of dword 4

1010 = lower word of dword 5

1011 = upper word of dword 5

Bit 14/Indirect Access Read/Write (IARW). When the host wishes to read data from the internal transmit DMA configuration RAM, the host should write this bit to 1. This causes the device to begin obtaining the data from the channel location indicated by the HCID bits. During the read access, the IAB bit is set to 1. Once the data is ready to be read from the TDMAC register, the IAB bit is set to 0. When the host wishes to write data to the internal transmit DMA configuration RAM, this bit should be written to 0 by the host. This causes the device to take the data that is currently present in the TDMAC register and write it to the channel location indicated by the HCID bits. When the device has completed the write, the IAB bit is set to 0.

Bit 15/Indirect Access Busy (IAB). When an indirect read or write access is in progress, this read-only bit is set to 1. During a read operation, this bit is set to 1 until the data is ready to be read. It is set to 0 when the data is ready to be read. During a write operation, this bit is set to 1 while the write is taking place. It is set to 0 once the write operation has completed.

Register Name: **TDMAC**
 Register Description: **Transmit DMA Configuration**
 Register Address: **0874h**

Bit #	7	6	5	4	3	2	1	0
Name	D7	D6	D5	D4	D3	D2	D1	D0
Default	0	0	0	0	0	0	0	0

Bit #	15	14	13	12	11	10	9	8
Name	D15	D14	D13	D12	D11	D10	D9	D8
Default	0	0	0	0	0	0	0	0

Note: Bits that are underlined are read-only, all other bits are read-write.

Bits 0 to 15/Transmit DMA Configuration RAM Data (D0 to D15). Data that is written to or read from the transmit DMA configuration RAM.

10. PCI BUS

10.1 General Description of Operation

The PCI block interfaces the DMA block to an external high-speed bus. The PCI block complies with Revision 2.1 (June 1, 1995) of the PCI Local Bus Specification. HDLC packet data always passes to and from the BoSS through the PCI bus. The user has the option to configure and monitor the internal device registers either through the PCI bus (local bus bridge mode) or through the local bus (local bus configuration mode). When the local bus bridge mode is used, the host on the PCI bus can also bridge to the local bus and sets/monitors the PCI configuration registers. When the local bus configuration mode is used, the CPU on the local bus sets/monitors the PCI configuration registers.

The PCI configuration registers ([Figure 10-1](#)) are described in detail in Section [10.2](#). The following notes apply to the PCI configuration registers:

- 1) All unused locations (the shaded areas of [Figure 10-1](#)) return 0s when read.
- 2) Read-only locations can be written with either 1 or 0 with no effect.
- 3) All bits are read/write, unless otherwise noted.

Figure 10-1. PCI Configuration Memory Map

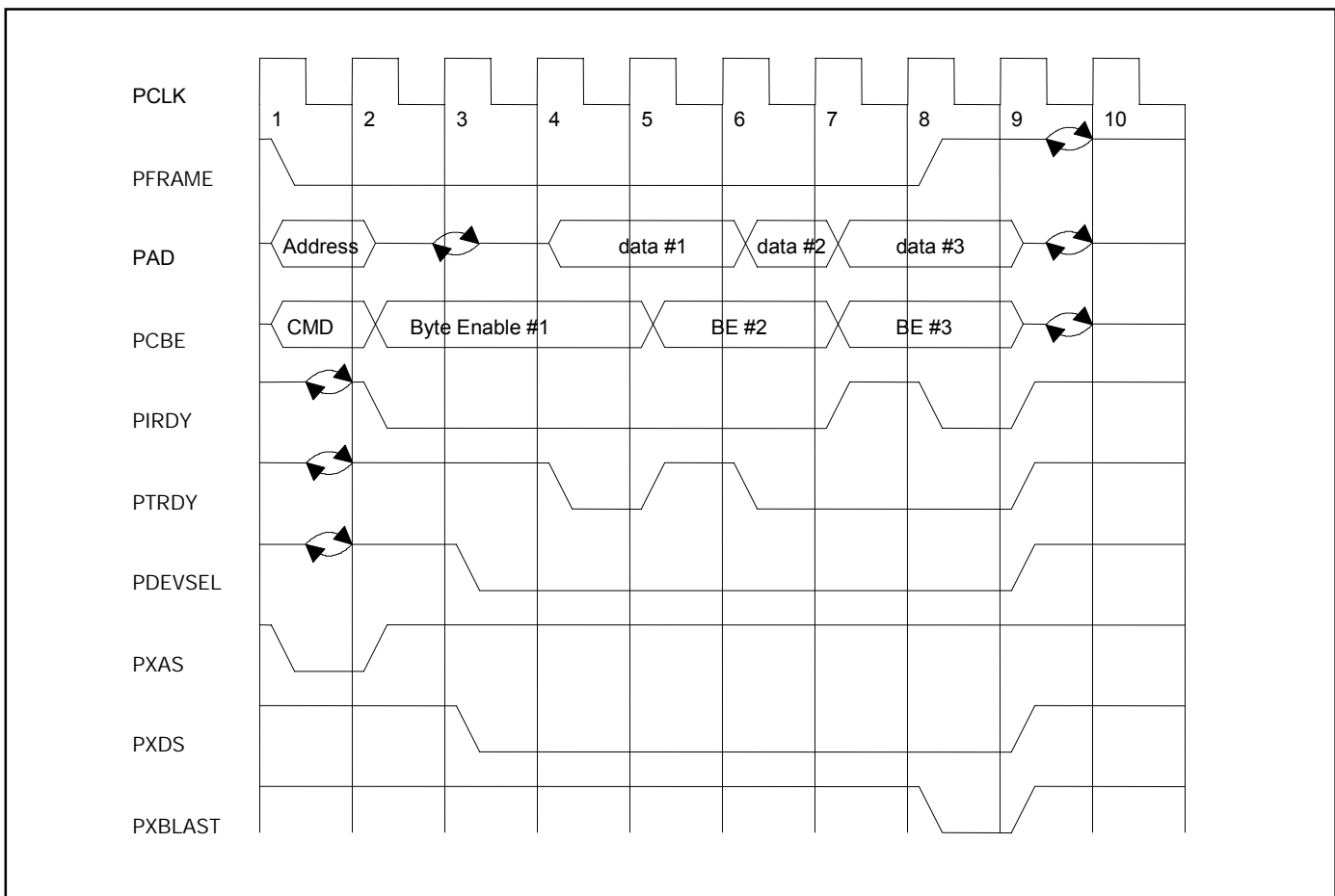
0x000	Device ID		Vendor ID	
0x004	Status		Command	
0x008	Class Code			Revision ID
0x00C	Header Type	Latency Timer	Cache Line Size	
0x010	Base Address for Device Configuration			0x000
0x03C	Max. Latency	Min. Grant	Interrupt Pin	Interrupt Line
0x100	Device ID		Vendor ID	
0x104	Status		Command	
0x108	Class Code			Revision ID
0x10C	Header Type			
0x110	Base Address for Local Bus		0x00000	
0x13C			Interrupt Pin	Interrupt Line

10.1.1 PCI Read Cycle

A read cycle on the PCI bus is shown in [Figure 10-2](#). During clock cycle #1, the initiator asserts the PFRAME signal and drives the address onto the PAD signal lines and the bus command (which would be a read) onto the PCBE signal lines. The target reads the address and bus command and, if the address matches its own, it then asserts the PDEVSEL signal and begins the bus transaction. During clock cycle #2, the initiator stops driving the address onto the PAD signal lines and switches the PCBE signal lines to indicate byte enables. It also asserts the PIRDY signal and begins monitoring the PDEVSEL and PTRDY signals. During clock cycle #4, the target asserts PTRDY, indicating to the initiator that valid data is available to be read on the PAD signal lines by the initiator. During clock cycle #5, the target is not ready to provide data #2 because PTRDY is deasserted. During clock cycle #6, the target again asserts PTRDY, informing the initiator to read data #2. During clock cycle #7, the initiator deasserts PIRDY, indicating to the target that it is not ready to accept data. During clock cycle #8, the initiator asserts PIRDY and acquires data #3. Also during clock cycle #8, the initiator deasserts PFRAME, indicating to the target that the bus transaction is complete and no more data needs to be read. During clock cycle #9, the target deasserts PTRDY and PDEVSEL and the initiator deasserts PIRDY.

The PXAS, PXDS, and PXBLAST signals are not part of a standard PCI bus. These PCI extension signals are unique to the device and are useful in adapting the PCI bus to a proprietary bus scheme. They are only asserted when the device is a bus master.

Figure 10-2. PCI Bus Read

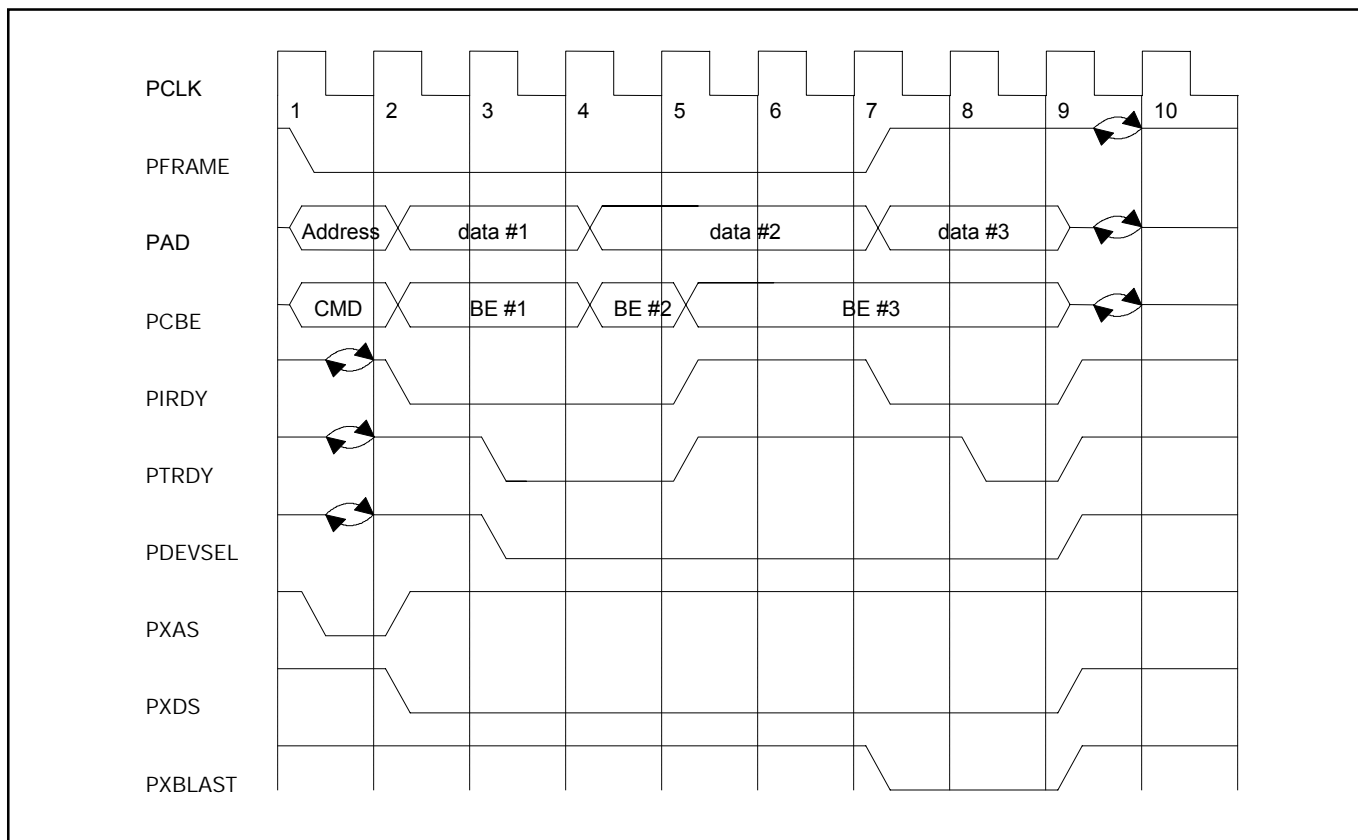


10.1.2 PCI Write Cycle

A write cycle on the PCI bus is shown in [Figure 10-3](#). During clock cycle #1, the initiator asserts the PFRAME signal and drives the address onto the PAD signal lines and the bus command (which would be a write) onto the PCBE signal lines. The target reads the address and bus command and, if the address matches its own, it then asserts the PDEVSEL signal and begins the bus transaction. During clock cycle #2, the initiator stops driving the address onto the PAD signal lines and begins driving data #1. It also switches the PCBE signal lines to indicate the byte enable for data #1. The initiator asserts the PIRDY signal and begins monitoring the PDEVSEL and PTRDY signals. During clock cycle #3, the initiator detects that PDEVSEL and PTRDY are asserted, which indicates that the target has accepted data #1 and the initiator begins driving the data and byte enable for data #2. During clock cycle #4, since PDEVSEL and PTRDY are asserted, data #2 is written by the initiator to the target. During clock cycle #5, both PIRDY and PTRDY are deasserted, indicating that neither the initiator nor the target are ready for data #3 to be passed. During clock cycle #6, the initiator is ready so it asserts PIRDY and deasserts PFRAME, which indicates that data #3 is the last one passed. During clock cycle #8, the target asserts PTRDY, which indicates to the initiator that data #3 is ready to be accepted by the target. During clock cycle #9, the initiator deasserts PIRDY and stops driving the PAD and PCBE signal lines. The target deasserts PDEVSEL and PTRDY.

The PXAS, PXDS, and PXBLAST signals are not part of a standard PCI bus. These PCI extension signals are unique to the device. They are useful in adapting the PCI bus to a proprietary bus scheme. They are only asserted when the device is a bus master.

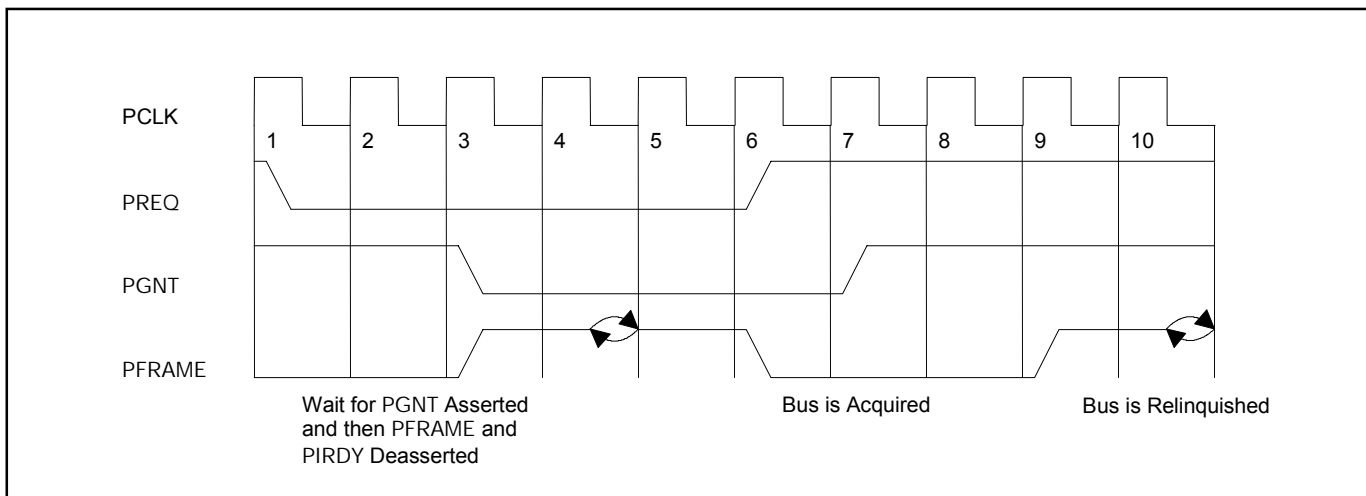
Figure 10-3. PCI Bus Write



10.1.3 PCI Bus Arbitration

The PCI bus can be arbitrated as shown in [Figure 10-4](#). The initiator requests bus access by asserting PREQ. A central arbiter grants the access some time later by asserting PGNT. Once the bus has been granted, the initiator waits until both PIRDY and PFRAME are deasserted (i.e., an idle cycle) before acquiring the bus and beginning the transaction. As shown in [Figure 10-3](#), the bus was still being used when it was granted and the device had to wait until clock cycle #6 before it acquired the bus and began the transaction. The arbiter can deassert PGNT at any time and the initiator must relinquish the bus after the current transfer is complete, which can be limited by the latency timer.

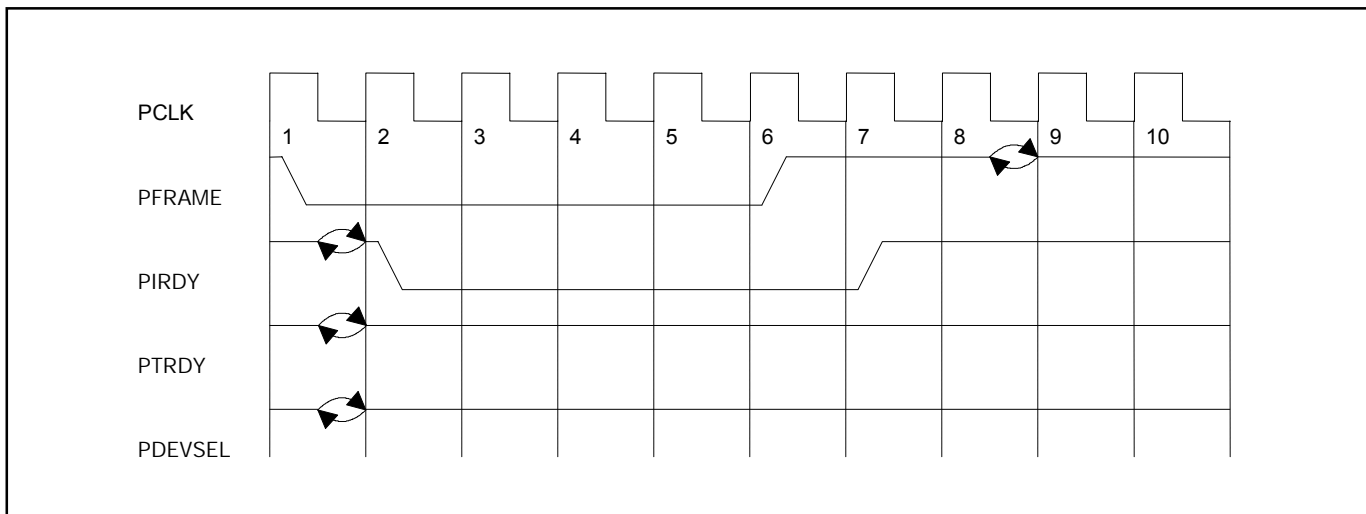
Figure 10-4. PCI Bus Arbitration Signaling Protocol



10.1.4 PCI Initiator Abort

If a target fails to respond to an initiator by asserting PDEVSEL and PTRDY within 5 clock cycles, then the initiator aborts the transaction by deasserting PFRAME and then, one clock later, by deasserting PIRDY ([Figure 10-5](#)). If such a scenario occurs, it is reported through the master abort status bit in the PCI command/status configuration register (Section [10.2](#)).

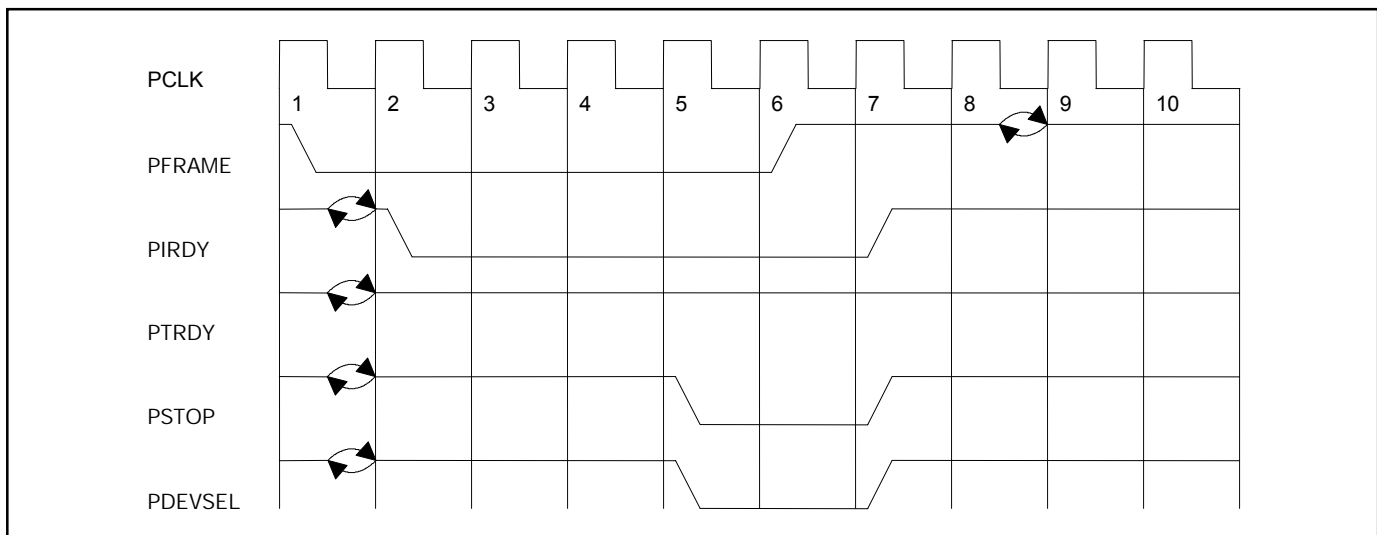
Figure 10-5. PCI Initiator Abort



10.1.5 PCI Target Retry

Targets can terminate the requested bus transaction before any data is transferred because the target is busy and temporarily unable to process the transaction. Such a termination is called a target retry and no data is transferred. A target retry is signaled to the initiator by the assertion of PSTOP and not asserting PTRDY on the initial data phase (Figure 10-6). When BoSS is a target, it only issues a target retry when the host is accessing the local bus. This occurs when the local bus is operating in the arbitration mode. It is busy at the instant the host requests access to the local bus. See Section 11.1 for more details about the operation of the local bus.

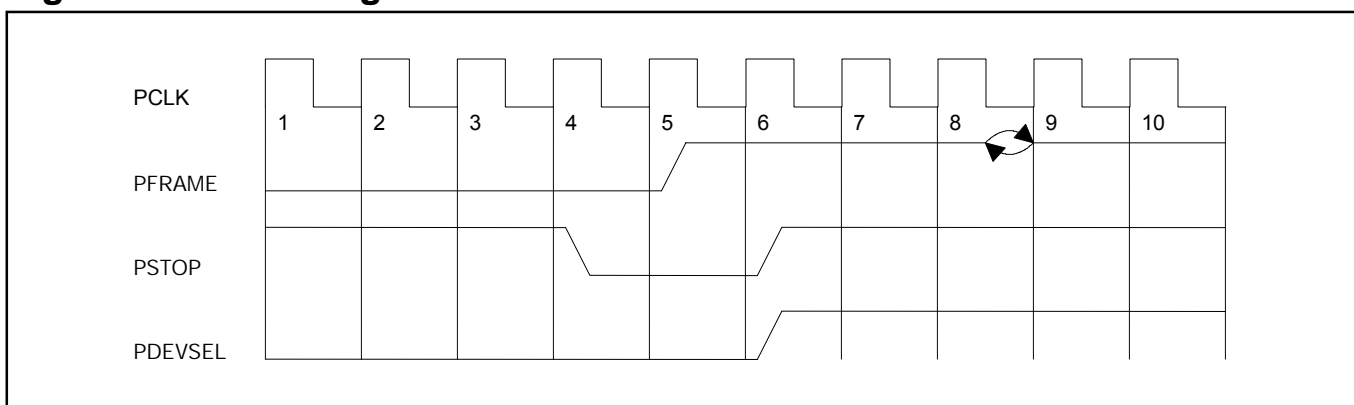
Figure 10-6. PCI Target Retry



10.1.6 PCI Target Disconnect

A target can prematurely terminate a transaction by asserting PSTOP (Figure 10-7). Depending on the current state of the ready signals when PSTOP is asserted, data may or may not be transferred. The target always deasserts PSTOP when it detects that the initiator has deasserted PFRAME. When BoSS is a target, it disconnects with data after the first data phase is complete, if the master attempts a burst transaction. This is because the device does not support burst transactions when it is a target. When it is an initiator and experiences a disconnect from the target, it attempts another bus transaction (if it still has the bus granted) after waiting either one (disconnect without data) or two clock cycles (disconnect with data).

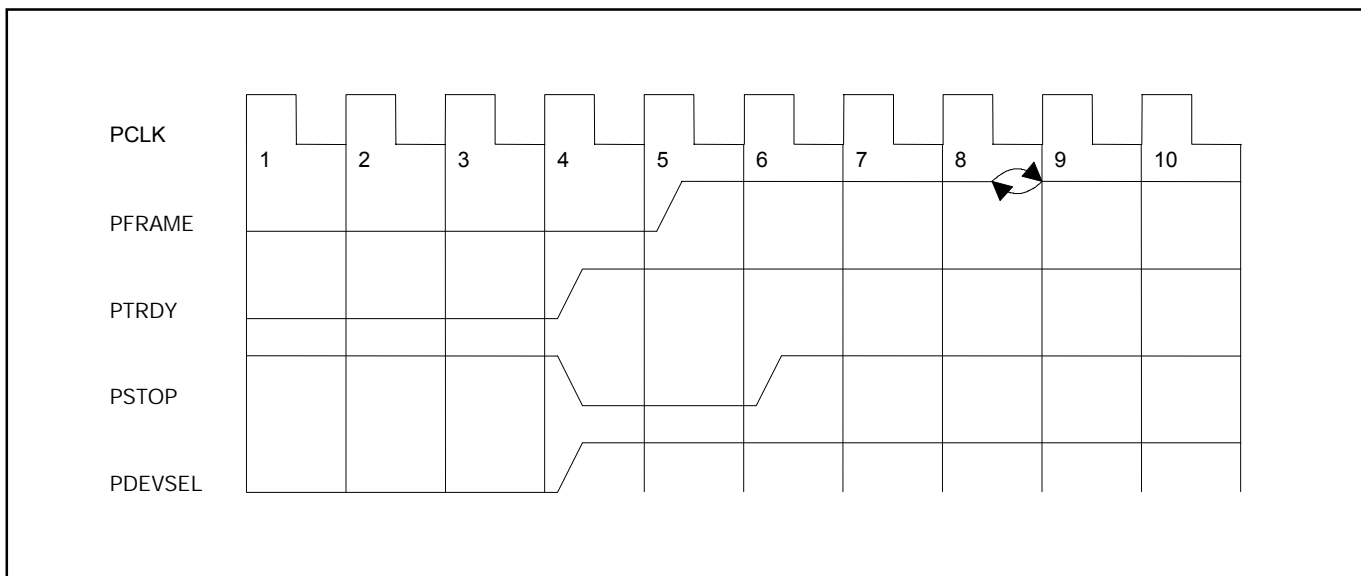
Figure 10-7. PCI Target Disconnect



10.1.7 PCI Target Abort

Targets can also abort the current transaction, which means they do not wish for the initiator to attempt the request again. No data is transferred in a target abort scenario. A target abort is signaled to the initiator by the simultaneous assertion of PSTOP and deassertion of PDEVSEL (Figure 10-8). When BoSS is a target, it only issues a target abort when the host is accessing the local bus. This occurs when the host attempts a bus transaction with a combination of byte enables (PCBE) that are not supported by the local bus. If such a scenario occurs, it reports through the target-abort-initiated status bit in the PCI command/status configuration register (Section 10.2). See Section 11.1 for details about local bus operation. When BoSS is a bus master, if it detects a target abort, it reports through the target abort detected by master status bit in the PCI command/status configuration register (Section 10.2).

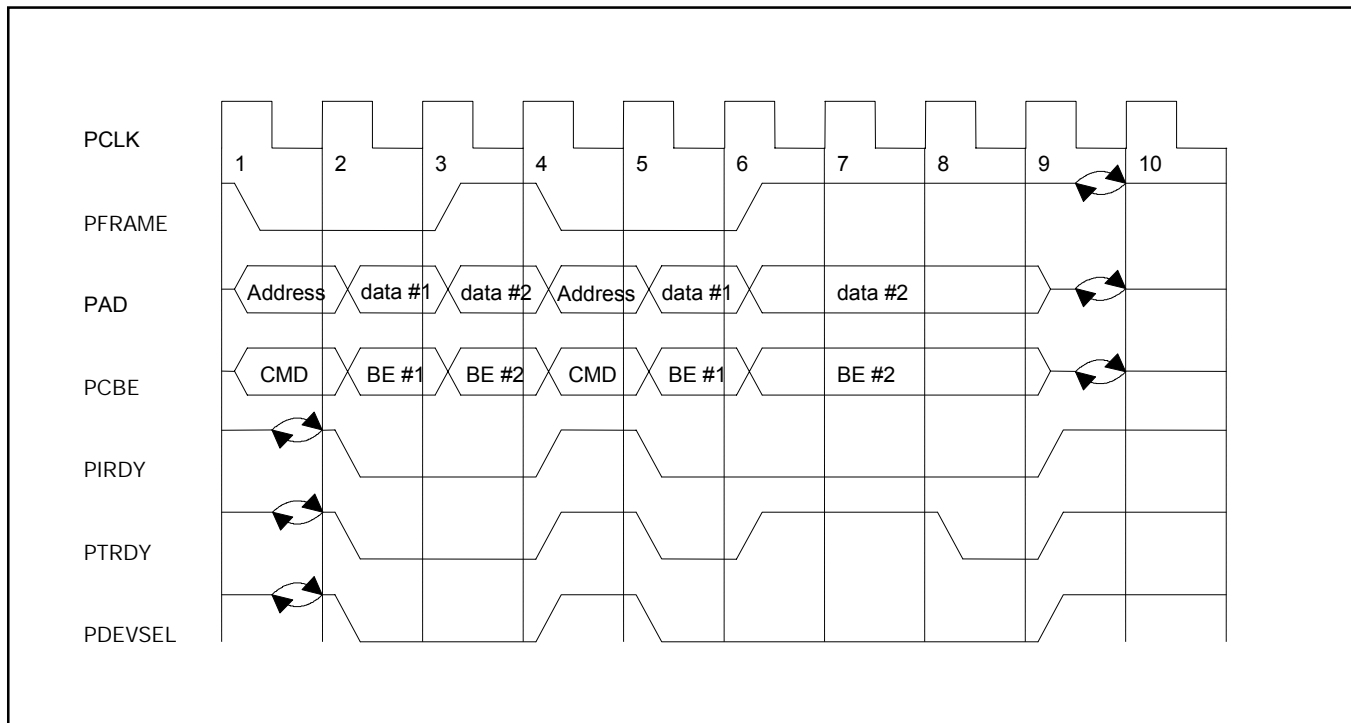
Figure 10-8. PCI Target Abort



10.1.8 PCI Fast Back-to-Back

Fast back-to-back transactions are two consecutive bus transactions without the usually required idle cycle (PFRAME and PIRDY deasserted) between them. This can only occur when there is a guarantee that there is not any contention on the signal lines. The PCI specification allows two types of fast back-to-back transactions—those that access the same agent (Type 1) and those that do not (Type 2). [Figure 10-9](#) shows an example of a fast back-to-back transaction where no idle cycle exists. As a bus master, BoSS is not capable of performing a Type 2 access. As a target, it can accept both types of fast back-to-back transactions.

Figure 10-9. PCI Fast Back-To-Back



10.2 PCI Configuration Register Description

Register Name: **PVID0**
 Register Description: **PCI Vendor ID/Device ID Register 0**
 Register Address: **0x000h**

LSB
Vendor ID (Read Only/Set to EAh)
Vendor ID (Read Only/Set to 13h)
Device ID (Read Only/Set to 31h)
MSB
Device ID (Read Only/Set to 31h)

Bits 0 to 15/Vendor ID. These read-only bits identify Dallas Semiconductor as the device's manufacturer. The vendor ID was assigned by the PCI Special Interest Group and is fixed at 13EAh.

Bits 16 to 31/Device ID. These read-only bits identify the DS3131 as the device being used. The device ID was assigned by Dallas Semiconductor and is fixed at 3131h.

Register Name: **PCMD0**
 Register Description: **PCI Command/Status Register 0**
 Register Address: **0x004h**

LSB							
<u>STEPC</u>	PARC	VGA	MWEN	SCC	MASC	MSC	IOC
Reserved (Read Only/Set to All Zeros)						FBBEN	PSEC
FBBCT	UDF	66MHz	Reserved (Read Only/Set to All Zeros)				
MSB							
<u>PPE</u>	<u>PSE</u>	<u>MABT</u>	<u>TABTM</u>	<u>TABT</u>	<u>DTS1</u>	<u>DTS0</u>	<u>PARR</u>

Note: Read-only bits in the PCMD0 register are underlined; all other bits are read-write.

The lower word (bits 0 to 15) of the PCMD0 register is the command portion and is used for PCI bus control. When all bits in the lower word are set to 0, the device is logically disconnected from the bus for all accesses, except for accesses to the configuration registers. The upper word (bits 16 to 31) is the status portion and is used for status information. Reads to the status portion behave normally but writes are unique in that bits can be reset (i.e., forced to 0) but not set (i.e., forced to 1). A bit in the status portion resets when 1 is written to that bit position. Bit positions that have 0 written to them do not reset.

10.2.1 Command Bits (PCMD0)

Bit 0/I/O Space Control (IOC). This read-only bit is forced to 0 by the device to indicate that it does not respond to I/O space accesses.

Bit 1/Memory Space Control (MSC). This read/write bit controls whether or not the device responds to accesses by the PCI bus to the memory space, which are the internal device configuration registers. When this bit is set to 0, the device ignores accesses attempted to the internal configuration registers. When set to 1, the device allows accesses to the internal configuration registers. This bit should be set to 0 when the local bus is operated in the configuration mode. This bit is forced to 0 when a hardware reset is initiated through the PRST pin.

0 = ignore accesses to the internal device configuration registers

1 = allow accesses to the internal device configuration registers

Bit 2/Master Control (MASC). This read/write bit controls whether or not the device can act as a master on the PCI bus. When this bit is set to 0, the device cannot act as a master. When it is set to 1, the device can act as a bus master. This bit is forced to 0 when a hardware reset is initiated through the PRST pin.

0 = deny the device from operating as a bus master

1 = allow the device to operate as a bus master

Bit 3/Special Cycle Control (SCC). This read-only bit is forced to 0 by the device to indicate that it cannot decode special cycle operations.

Bit 4/Memory Write and Invalidate Command Enable (MWEN). This read-only bit is forced to 0 by the device to indicate that it cannot generate the memory write and invalidate command.

Bit 5/VGA Control (VGA). This read-only bit is forced to 0 by the device to indicate that it is not a VGA-compatible device.

Bit 6/Parity Error Response Control (PARC). This read/write bit controls whether or not the device should ignore parity errors. When this bit is set to 0, the device ignores any parity errors that it detects and continues to operate normally. When this bit is set to 1, the device must act on parity errors. This bit is forced to 0 when a hardware reset is initiated through the PRST pin.

0 = ignore parity errors

1 = act on parity errors

Bit 7/Address Stepping Control (STEP). This read-only bit is forced to 0 by the device to indicate that it is not capable of address/data stepping.

Bit 8/PCI System Error Control (PSEC). This read/write bit controls whether or not the device should enable the PSERR output pin. When this bit is set to 0, the device disables the PSERR pin. When this bit is set to 1, the device enables the PSERR pin. This bit is forced to 0 when a hardware reset is initiated through the PRST pin.

0 = disable the PSERR pin

1 = enable the PSERR pin

Bit 9/Fast Back-to-Back Master Enable (FBBEN). This read-only bit is forced to 0 by the device to indicate that it is not capable of generating fast back-to-back transactions to different agents.

Bits 10 to 15/Reserved. These read-only bits are forced to 0 by the device.

10.2.2 Status Bits (PCMD0)

The upper words in the PCMD0 register are the status portion, which report events as they occur. As previously mentioned, reads of the status portion occur normally but writes are unique in that bits can only be reset (i.e., forced to 0). This occurs when 1 is written to a bit position. Writes with a 0 to a bit position have no affect. This allows individual bits to be reset.

Bits 16 to 20/Reserved. These read-only bits are forced to 0 by the device.

Bit 21/66MHz Capable (66MHz). This read-only bit is forced to 0 by the device to indicate that it is not capable of running at 66MHz.

Bit 22/User-Definable Features Capable (UDF). This read-only bit is forced to 0 by the device to indicate that it does not support user-definable features.

Bit 23/Fast Back-to-Back Capable Target (FBBCT). This read-only bit is forced to 1 by the device to indicate that it is capable of accepting fast back-to-back transactions when the transactions are not from the same agent.

Bit 24/PCI Parity Error Reported (PARR). This read/write bit is set to 1 when the device is a bus master and detects or asserts the PPER signal when the PARC command bit is enabled. This bit can be reset (set to 0) by the host by writing 1 to this bit.

0 = no parity errors have been detected

1 = parity errors detected

Bits 25, 26/Device Timing Select Bits 0 and 1 (DTS0 and DTS1). These read-only bits are forced to 01b by the device to indicate that it is capable of the medium timing requirements for the PDEVSEL signal.

Bit 27/Target Abort Initiated (TABT). This read-only bit is forced to 0 by the device since it does not terminate a bus transaction with a target abort when the device is a target.

Bit 28/Target Abort Detected by Master (TABTM). This read/write bit is set to 1 when the device is a bus master and it detects that a bus transaction has been aborted by the target with a target abort. This bit can be reset (set to 0) by the host by writing 1 to this bit.

Bit 29/Master Abort (MABT). This read/write bit is set to 1 when the device is a bus master and the bus transaction is terminated with a master abort (except for special cycle). This bit can be reset (set to 0) by the host by writing 1 to this bit.

Bit 30/PCI System Error Reported (PSE). This read/write bit is set to 1 when the device asserts the PSERR signal (even if it is disabled through the PSEC command bit). This bit can be reset (set to 0) by the host by writing 1 to this bit.

Bit 31/PCI Parity Error Reported (PPE). This read/write bit is set to 1 when the device detects a parity error (even if parity is disabled through the PARC command bit). This bit can be reset (set to 0) by the host by writing 1 to this bit.

Register Name: **PRCC0**
 Register Description: **PCI Revision ID/Class Code Register 0**
 Register Address: **0x008h**

LSB

Revision ID (Read Only/Set to 00h)
Class Code (Read Only/Set to 00h)
Class Code (Read Only/Set to 80h)
MSB
Class Code (Read Only/Set to 02h)

Bits 0 to 7/Revision ID. These read-only bits identify the specific device revision, which is selected by Dallas Semiconductor.

Bits 8 to 15/Class Code Interface. These read-only bits identify the subclass interface value for the device and are fixed at 00h. See Appendix D of PCI Local Bus Specification Revision 2.1 for details.

Bits 16 to 23/Class Code Subclass. These read-only bits identify the subclass value for the device and are fixed at 80h, which indicate “Other Network Controller.” See Appendix D of PCI Local Bus Specification Revision 2.1 for details.

Bits 24 to 31/Class Code Base Class. These read-only bits identify the base class value for the device and are fixed at 02h, which indicate “Network Controllers.” See Appendix D of PCI Local Bus Specification Revision 2.1 for details.

Register Name: **PLTH0**
 Register Description: **PCI Latency Timer/Header Type Register 0**
 Register Address: **0x00Ch**

LSB

Cache Line Size
Latency Timer
Header Type (Read Only/Set to 80h)
MSB
BIST (Read Only/Set to 00h)

Bits 0 to 7/Cache Line Size. These read/write bits indicates the cache line size in terms of dwords. If the burst size of a data read transaction exceeds this value, then the PCI block uses the memory read multiple command. Valid settings are 04h (4 dwords), 08h, 10h, 20h, and 40h (64 dwords). Other settings are interpreted as 00h. These bits are forced to 0 when a hardware reset is initiated through the PRST pin.

Bits 8 to 15/Latency Timer. These read/write bits indicate the value of the latency timer (in terms of the number of PCI clocks) for use when the device is a bus master. These bits are forced to 0 when a hardware reset is initiated through the PRST pin.

Bits 16 to 23/Header Type. These read-only bits are forced to 80h, which indicate a multifunction device.

Bits 24 to 31/Built-In Self-Test (BIST). These read-only bits are forced to 0.

Register Name: **PDCM**
 Register Description: **PCI Device Configuration Memory Base Address Register**
 Register Address: **0x010h**

				LSB
Base Address (Read Only/Set to 0h)	<u>PF</u>	<u>TYPE1</u>	<u>TYPE0</u>	<u>MSI</u>
Base Address	Base Address (Read Only/Set to 0h)			
Base Address				
MSB				
Base Address				

Note: Read-only bits in the PDCM register are underlined; all other bits are read-write.

Bit 0/Memory Space Indicator (MSI). This read-only bit is forced to 0 to indicate that the internal device configuration registers are mapped to memory space.

Bits 1, 2/Type 0, Type 1. These read-only bits are forced to 00b to indicate that the internal device configuration registers can be mapped anywhere in the 32-bit address space.

Bit 3/Prefetchable (PF). This read-only bit is forced to 0 to indicate that prefetching is not supported by the device for the internal device configuration registers.

Bits 4 to 11/Base Address. These read-only bits are forced to 0 to indicate that the internal device configuration registers require 4kB of memory space.

Bits 12 to 31/Base Address. These read/write bits define the location of the 4k memory space that is mapped to the internal configuration registers. These bits correspond to the most significant bits of the PCI address space.

Register Name: **PINTL0**
 Register Description: **PCI Interrupt Line and Pin/Minimum Grant/Maximum Latency Register 0**
 Register Address: **0x03Ch**

				LSB
Interrupt Line				
Interrupt Pin (Read Only/Set to 01h)				
Maximum Grant (Read Only/Set to 05h)				
MSB				
Maximum Latency (Read Only/Set to 0 Fh)				

Bits 0 to 7/Interrupt Line. These read/write bits indicate and store interrupt line routing information. The device does not use this information, it is only posted here for the host to use.

Bits 8 to 15/Interrupt Pin. These read-only bits are forced to 01h to indicate that PINTA is used as an interrupt.

Bits 16 to 23/Minimum Grant. These read-only bits are used to indicate to the host how long of a burst period the device needs, assuming a clock rate of 33MHz. The values placed in these bits specify a period of time in 0.25 μ s increments. These bits are forced to 05h.

Bits 24 to 31/Maximum Latency. These read-only bits are used to indicate to the host how often the device needs to gain access to the PCI bus. The values placed in these bits specify a period of time in 0.25 μ s increments. These bits are forced to 0Fh.

Register Name: **PVID1**
 Register Description: **PCI Vendor ID/Device ID Register 1**
 Register Address: **0x100h**

LSB

Vendor ID (Read Only/Set to EAh)

Vendor ID (Read Only/Set to 13h)

Device ID (Read Only/Set to 31h)

MSB

Device ID (Read Only/Set to 31h)

Bits 0 to 15/Vendor ID. These read-only bits identify Dallas Semiconductor as the manufacturer of the device. The vendor ID was assigned by the PCI Special Interest Group and is fixed at 13EAh.

Bits 16 to 31/Device ID. These read-only bits identify the DS3131 as the device being used. The device ID was assigned by Dallas Semiconductor and is fixed at 3131h.

Register Name: **PCMD1**
 Register Description: **PCI Command/Status Register 1**
 Register Address: **0x104h**

LSB

<u>STEP</u> C	PARC	VGA	MWEN	SCC	<u>MASC</u>	MSC	IOC
---------------	------	-----	------	-----	-------------	-----	-----

Reserved (Read Only/Set to All Zeros)						FBBEN	PSEC
---------------------------------------	--	--	--	--	--	-------	------

FBBCT	UDF	66 MHz	Reserved (Read Only/Set to All Zeros)				
-------	-----	--------	---------------------------------------	--	--	--	--

MSB

<u>PPE</u>	<u>PSE</u>	<u>MABT</u>	<u>TABTM</u>	TABT	DTS1	DTS0	<u>PARR</u>
------------	------------	-------------	--------------	------	------	------	-------------

Note: Read-only bits in the PCMD1 register are underlined; all other bits are read-write.

The lower word (bits 0 to 15) of the PCMD1 register is the command portion and is used for the PCI bus control. When all bits in the lower word are set to 0, the device is logically disconnected from the bus for all accesses, except for accesses to the configuration registers. The upper word (bits 16 to 31) is the status portion and is used for status information. Reads to the status portion behave normally but writes are unique in that bits can be reset (i.e. forced to 0) but not set (i.e. forced to 1). A bit in the status portion is reset when 1 is written to that bit position. Bit positions that have 0 written to them do not reset.

10.2.3 Command Bits (PCMD1)

Bit 0/I/O Space Control (IOC). This read-only bit is forced to 0 by the device to indicate that it does not respond to I/O space accesses.

Bit 1/Memory Space Control (MSC). This read/write bit controls whether or not the device responds to accesses by the PCI bus to the memory space, which is the local bus. When this bit is set to 0, the device ignores accesses attempted to the local bus. When set to 1, the device allows accesses to the local bus. This bit should be set to 0 when the local bus operates in configuration mode. This bit is forced to 0 when a hardware reset is initiated through the PRST pin.

0 = ignore accesses to the local bus

1 = allow accesses to the bus

Bit 2/Master Control (MASC). This read-only bit is forced to 0 by the device since it cannot act as a bus master.

Bit 3/Special Cycle Control (SCC). This read-only bit is forced to 0 by the device to indicate that it cannot decode special cycle operations.

Bit 4/Memory Write and Invalidate Command Enable (MWEN). This read-only bit is forced to 0 by the device to indicate that it cannot generate the memory write and invalidate command.

Bit 5/VGA Control (VGA). This read-only bit is forced to 0 by the device to indicate that it is not a VGA-compatible device.

Bit 6/Parity Error Response Control (PARC). This read/write bit controls whether or not the device should ignore parity errors. When this bit is set to 0, the device ignores any parity errors that it detects and continues to operate normally. When this bit is set to 1, the device must act on parity errors. This bit is forced to 0 when a hardware reset is initiated through the PRST pin.

0 = ignore parity errors

1 = act on parity errors

Bit 7/Address Stepping Control (STEPC). This read-only bit is forced to 0 by the device to indicate that it is not capable of address/data stepping.

Bit 8/PCI System Error Control (PSEC). This read/write bit controls whether or not the device should enable the PSERR output pin. When this bit is set to 0, the device disables the PSERR pin. When this bit is set to 1, the device enables the PSERR pin. This bit is forced to 0 when a hardware reset is initiated through the PRST pin.

0 = disable the PSERR pin

1 = enable the PSERR pin

Bit 9/Fast Back-to-Back Master Enable (FBBEN). This read-only bit is forced to 0 by the device to indicate that it is not capable of generating fast back-to-back transactions to different agents.

Bits 10 to 15/Reserved. These read-only bits are forced to 0 by the device.

10.2.4 Status Bits (PCMD1)

The upper words in the PCMD1 register are the status portion, which report events as they occur. As mentioned earlier, reads of the status portion occur normally, but writes are unique in that bits can only be reset (i.e., forced to 0). This occurs when 1 is written to a bit position. Writes with a 0 to a bit position have no affect. This allows individual bits to be reset.

Bits 16 to 20/Reserved. These read-only bits are forced to 0 by the device.

Bit 21/66MHz Capable (66MHz). This read-only bit is forced to 0 by the device to indicate that it is not capable of running at 66MHz.

Bit 22/User-Definable Features Capable (UDF). This read-only bit is forced to 0 by the device to indicate that it does not support user-definable features.

Bit 23/Fast Back-to-Back Capable Target (FBBCT). This read-only bit is forced to 1 by the device to indicate that it is capable of accepting fast back-to-back transactions when the transactions are not from the same agent.

Bit 24/PCI Parity Error Reported (PARR). This read-only bit is forced to 0 by the device since the device cannot act as a bus master.

Bits 25, 26/Device Timing Select Bits 0 and 1 (DTS0 and DTS1). These read-only bits are forced to 01b by the device to indicate that they are capable of the medium timing requirements for the PDEVSEL signal.

Bit 27/Target Abort Initiated (TABT). This read/write bit is set to 1 when the device terminates a bus transaction with a target abort. This occurs only when the local bus is operating in the bus arbitration mode and the local bus does not have bus control when the host requests access. This bit can be reset (set to 0) by the host by writing 1 to this bit.

Bit 28/Target Abort Detected by Master (TABTM). This read-only bit is forced to 0 by the device since the device cannot act as a bus master.

Bit 29/Master Abort (MABT). This read-only bit is forced to 0 by the device since the device cannot act as a bus master.

Bit 30/PCI System Error Reported (PSE). This read/write bit is set to 1 when the device asserts the PSERR signal (even if it is disabled through the PSEC command bit). This bit can be reset (set to 0) by the host by writing 1 to this bit.

Bit 31/PCI Parity Error Reported (PPE). This read/write bit is set to 1 when the device detects a parity error (even if parity is disabled through the PARC command bit). This bit can be reset (set to 0) by the host by writing 1 to this bit.

Register Name: **PRCC1**
 Register Description: **PCI Revision ID/Class Code Register 1**
 Register Address: **0x108h**

LSB

Revision ID (Read Only/Set to 00h)
Class Code (Read Only/Set to 00h)
Class Code (Read Only/Set to 80h)
MSB
Class Code (Read Only/Set to 06h)

Bits 0 to 7/Revision ID. These read-only bits identify the specific device revision, selected by Dallas Semiconductor.

Bits 8 to 15/Class Code Interface. These read-only bits identify the subclass interface value for the device and are fixed at 00h. See Appendix D of PCI Local Bus Specification Revision 2.1 for details.

Bits 16 to 23/Class Code Subclass. These read-only bits identify the subclass value for the device and are fixed at 80h, indicating “Other Bridge Device.” See Appendix D of PCI Local Bus Specification Revision 2.1 for details.

Bits 24 to 31/Class Code Base Class. These read-only bits identify the base class value for the device and are fixed at 06h, which indicate “Bridge Devices.” See Appendix D of PCI Local Bus Specification Revision 2.1 for details.

Register Name: **PLTH1**
 Register Description: **PCI Latency Timer/Header Type Register 1**
 Register Address: **0x10Ch**

LSB

Cache Line Size (Read Only/Set to 00h)
Latency Timer (Read Only/Set to 00h)
Header Type (Read Only/Set to 80h)
MSB
BIST (Read Only/Set to 00h)

Bits 0 to 7/Cache Line Size. These read-only bits are forced to 0.

Bits 8 to 15/Latency Timer. These read-only bits are forced to 0 by the device since the device cannot act as a bus master.

Bits 16 to 23/Header Type. These read-only bits are forced to 80h, which indicate a multifunction device.

Bits 24 to 31/Built-In Self-Test (BIST). These read-only bits are forced to 0.

Register Name: **PLBM**
 Register Description: **PCI Local Bus Memory Base Address Register**
 Register Address: **0x110h**

				LSB
Base Address (Read Only/Set to 0h)	PF	TYPE1	TYPE0	MSI
Base Address	Base Address (Read Only/Set to 0h)			
Base Address				
MSB				
Base Address				

Note: Read-only bits in the PLBM register are underlined; all other bits are read-write.

Bit 0/Memory Space Indicator (MSI). This read-only bit is forced to 0 to indicate that the local bus is mapped to memory space.

Bits 1 and 2/Type 0 and Type 1. These read-only bits are forced to 00b to indicate that the local bus can be mapped anywhere in the 32 bit address space.

Bit 3/Prefetchable (PF). This read-only bit is forced to 0 to indicate that prefetching is not supported by the device for the local bus.

Bits 4 to 11/Base Address. These read-only bits are forced to 0 to indicate that the local bus requires 1MB of memory space.

Bits 12 to 31/Base Address. These read/write bits define the location of the 1MB memory space that is mapped to the local bus. These bits correspond to the most significant bits of the PCI address space.

Register Name: **PINTL1**
 Register Description: **PCI Interrupt Line and Pin/Minimum Grant/Maximum Latency Register 1**
 Register Address: **0x13Ch**

				LSB
Interrupt Line				
Interrupt Pin (Read Only/Set to 01h)				
Maximum Grant (Read Only/Set to 00h)				
MSB				
Maximum Latency (Read Only/Set to 00h)				

Bits 0 to 7/Interrupt Line. These read/write bits indicate and store interrupt line routing information. The device does not use this information, it is only posted here for the host to use.

Bits 8 to 15/Interrupt Pin. These read-only bits are forced to 01h to indicate that the uses PINTA as an interrupt.

Bits 16 to 23/Minimum Grant. These read-only bits are forced to 0.

Bits 24 to 31/Maximum Latency. These read-only bits are forced to 0.

11. LOCAL BUS

11.1 General Description

The DS3131's local bus can be either enabled or disabled. When it is disabled, the device uses the local bus signals to connect to bit-synchronous HDLC controllers on ports 28 to 39 (HDLC channels 29 to 40). The local bus is enabled and disabled through a hardware control signal called LBPXS. The local bus is enabled when LBPXS is left open-circuited (or connected high). It is disabled when LBPXS is connected low. See Section 2 for some diagrams detailing the possible configurations.

The local bus can operate in two modes, either as a PCI bridge (master mode) or as a configuration bus (slave mode). This selection is made in hardware by connecting the LMS pin high or low. Figure 11-1, Figure 11-2, and Figure 11-3 showcase the two modes. [Figure 11-1](#) shows an example of the local bus operating in the PCI bridge mode. In this example, the host can access the control ports on the xDSL devices through the local bus. [Figure 11-2](#) also shows an example of the PCI bridge mode but the local bus arbitration is enabled, which allows a local CPU to control when the host can have access to the local bus. To access the local bus, the host must first request the bus and then wait until it is granted. [Figure 11-3](#) features an example of the configuration mode. In this mode, the CPU on the local bus configures and monitors the DS3131. The host on the PCI/custom bus cannot access the DS3131 and the PCI/custom bus is only used to transfer HDLC packet data to and from the host.

[Table 11-A](#) lists all the local bus pins and their applications in both operating modes. The local bus operates only in a nonmultiplexed fashion; it is not capable of operating as a multiplexed bus. For both operating modes, the local bus can be set up for either Intel or Motorola type buses. This selection is made in hardware by connecting the LIM pin high or low.

Table 11-A. Local Bus Signals (LBPXS Floating or Connected High)

SIGNAL	FUNCTION	PCI BRIDGE MODE (LMS = 0)	CONFIGURATION MODE (LMS = 1)
LD[0:15]	Data Bus	Input on Read/Output on Write	Input on Write/Output on Read
LA[0:19]	Address Bus	Output	Input
LWR (LR/W)	Bus Write (Read/Write Select)	Output	Input
LRD (LDS)	Bus Read (Data Strobe)	Output	Input
LBHE	Byte High Enable	Output	Three-stated
LIM	Intel/Motorola Select	Input	Input
LINT	Interrupt	Input	Output
LMS	Mode Select	Input	Input
LCLK	Bus Clock (Use of PCLK is recommended in bridge mode.)	Output	Three-stated
LRDY	Bus Ready	Input	Ignored
LCS	Chip Select	Ignored	Input
LHOLD(LBR)	Hold Request (Bus Request)	Output	Three-stated
LHLDA(LBG)	Hold Acknowledge (Bus Grant)	Input	Ignored
LBGACK	Bus Acknowledge	Output	Three-stated

Note: Signals shown in parenthesis () are active when Motorola Mode (LIM = 1) is selected.

Figure 11-1. Bridge Mode

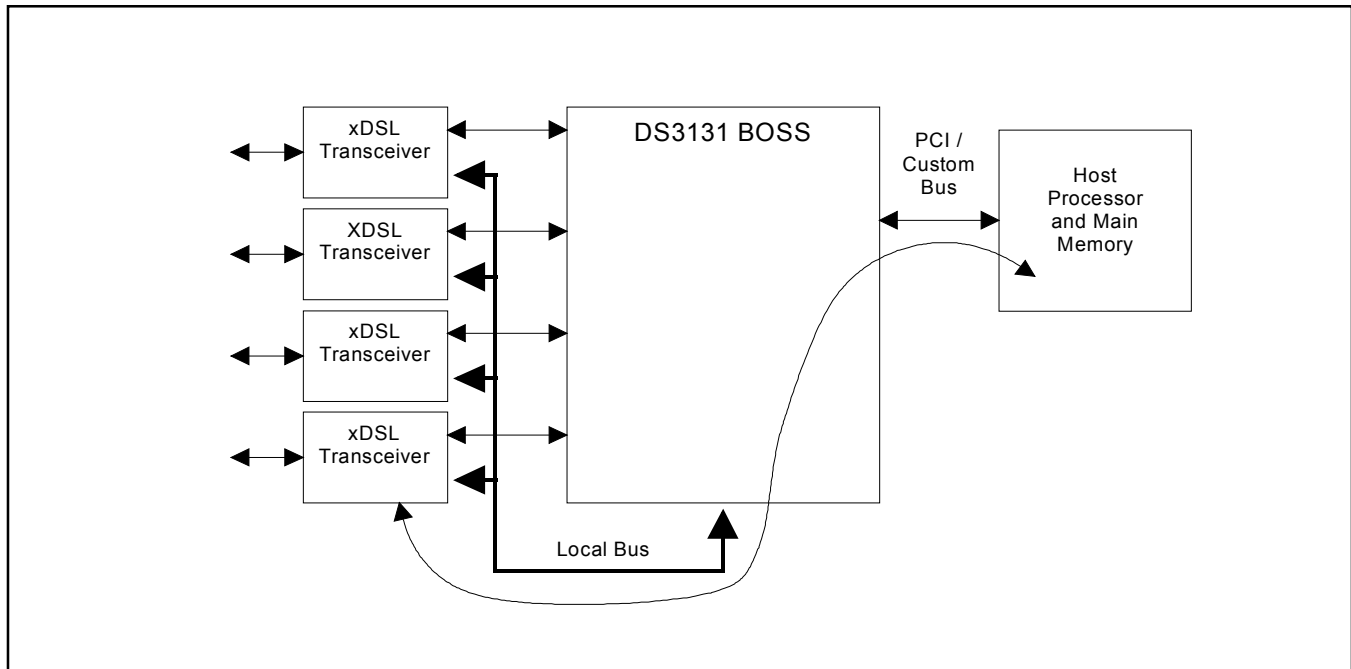


Figure 11-2. Bridge Mode with Arbitration Enabled

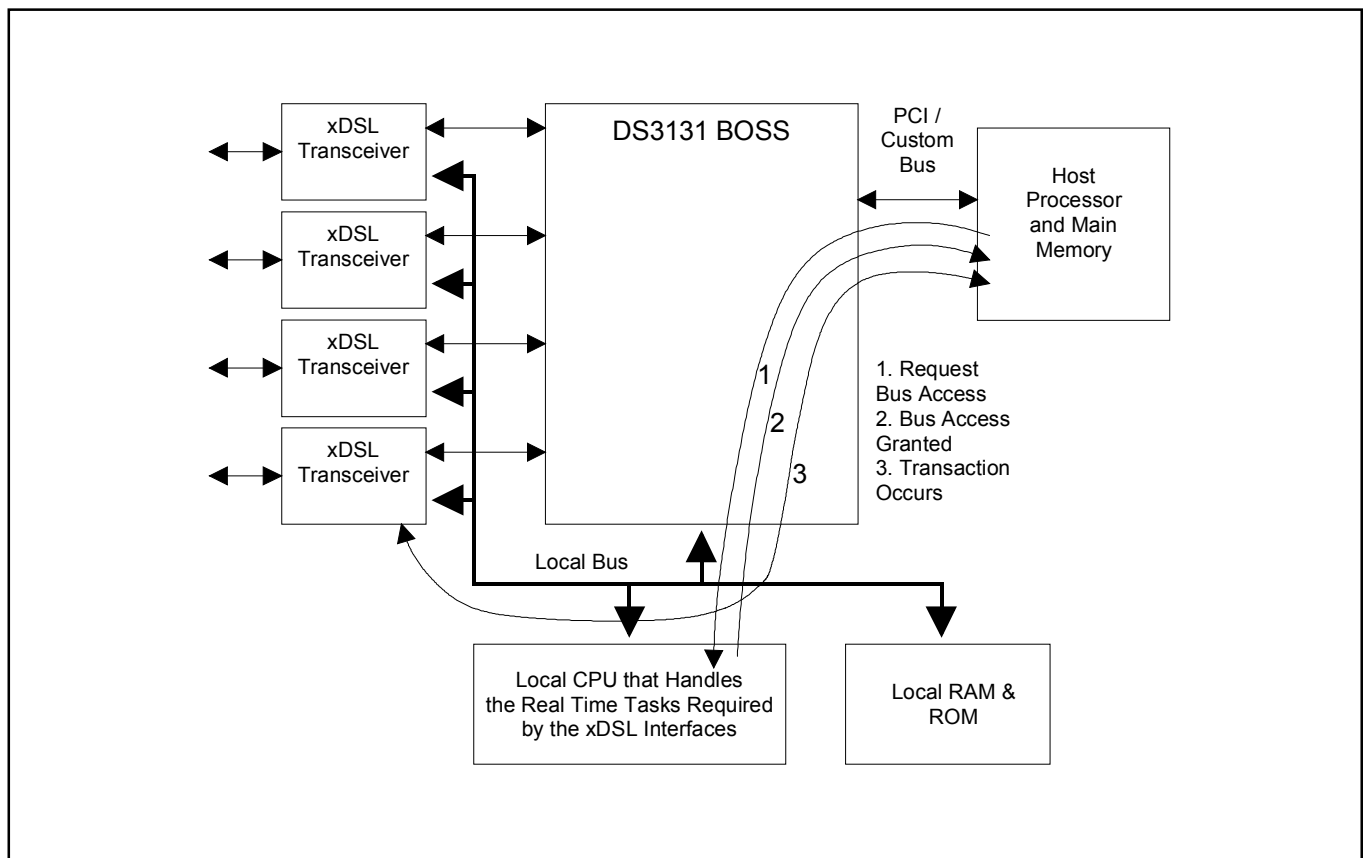
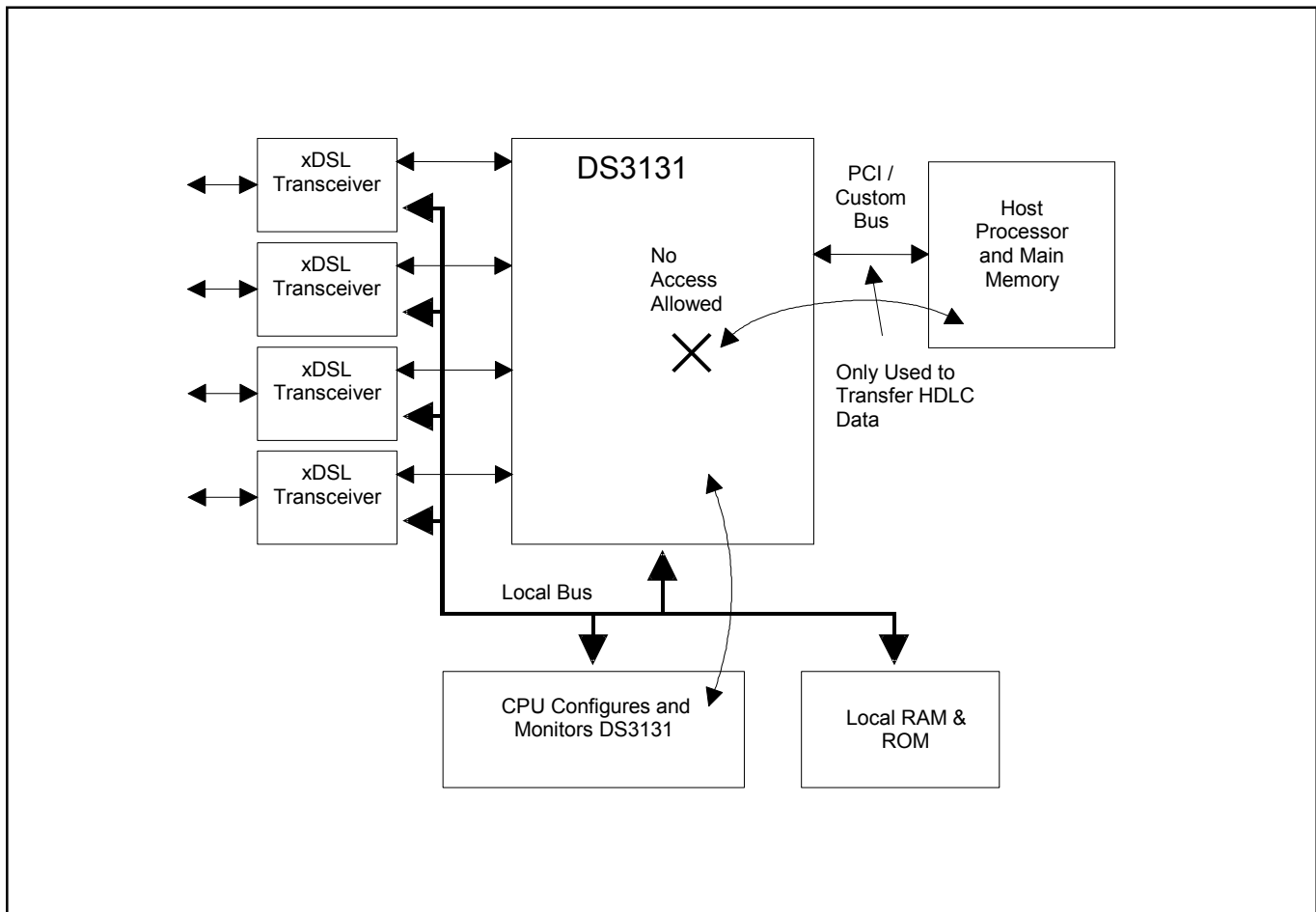


Figure 11-3. Configuration Mode

11.1.1 PCI Bridge Mode

In the PCI bridge mode, data from the PCI bus can be transferred to the local bus. The local bus acts as a “master” and creates all the necessary signals to control the bus. The user must configure the local bus bridge mode control register (LBBMC), which is described in Section [11.2](#).

With 20 address lines, the local bus can address 1MB address space. The host on the PCI bus determines where to map this 1MB address space within the 32-bit address space of the PCI bus by configuring the base address in the PCI configuration registers (Section [10](#)).

Bridge Mode 8-Bit and 16-Bit Access

During a bus access by the host, the local bus can determine how to map the four possible byte positions from/to the PCI bus to/from the local bus data bus (LD) pins by examining the PCBE signals and the local bus width (LBW) control bit that resides in the local bus bridge mode control (LBBMC) register. If the local bus is used as an 8-bit bus (LBW = 1), the host must only assert one of the PCBE signals. The PCI data is mapped to/from the LD[7:0] signal lines; the LD[15:0] signal lines remain inactive. The local bus block drives the A0 and A1 address lines according to the assertion of the PCBE signals by the host. See [Table 11-B](#) for details. If the host asserts more than one of the PCBE signals when the local bus is configured as an 8-bit bus, the local bus rejects the access and the PCI block returns a target abort to the host. See Section [10](#) for details about a target abort.

Table 11-B. Local Bus 8-Bit Width Address, LBHE Setting

PCBE [3:0]	A1	A0	LBHE
1110	0	0	1
1101	0	1	1
1011	1	0	1
0111	1	1	1

Note 1: All other possible states for PCBE cause the device to return a target abort to the host.

Note 2: The 8-bit data picked from the PCI bus is routed/sampled to/from the LD[7:0] signal lines.

Note 3: If no PCBE signals are asserted during an access, a target abort is not returned and no transaction occurs on the local bus.

If the local bus is used as 16-bit bus, then the LBW control bit must be set to 0. In 16-bit accesses, the host can either perform a 16-bit access or an 8-bit access by asserting the appropriate PCBE signals (see [Table 11-C](#)). For 16-bit access, the host enables the combination of either PCBE0/PCBE1 or PCBE2/PCBE3 and the local bus block maps the word from/to the PCI bus to/from the LD[15:0] signals. For 8-bit access in the 16-bit bus mode, the host must assert just one of the PCBE0 to PCBE3 signals. If the host asserts a combination of PCBE signals not supported by the local bus, the local bus rejects the access and the PCI block returns a target abort to the host. See [Section 10](#) for details on a target abort. [Section 11.3](#) contains a number of timing examples for the local bus.

Table 11-C. Local Bus 16-Bit Width Address, LD, LBHE Setting

PCBE [3:0]	8/16	A1	A0	LD[15:8]	LD[7:0]	LBHE
1110	8	0	0		Active	1
1101	8	0	1	Active		0
1100	16	0	0	Active	Active	0
1011	8	1	0		Active	1
0111	8	1	1	Active		0
0011	16	1	0	Active	Active	0

Note 1: All other possible states for PCBE cause the device to return a target abort to the host.

Note 2: The 16-bit data picked from the PCI bus is routed/sampled to/from the LD[7:0] and LD[15:8] signal lines as shown.

Note 3: If no PCBE signals are asserted during an access, a target abort is not returned and no transaction occurs on the local bus.

Bridge Mode Bus Arbitration

In bridge mode, the local bus has the ability to arbitrate for bus access. In order for this feature to operate, the host must access the PCI bridge mode control register (LBBMC) and enable it through the LARBE control bit (the default is bus arbitration disabled). If bus arbitration is enabled, then, before a bus transaction can occur, the local bus first requests bus access by asserting the L_HOLD (LBR) signal and then waits for the bus to be granted from the local bus arbiter by sensing that the L_HLDA (LBG) has been asserted. If the host on the PCI bus attempts a local bus access when the local bus is not granted by the local bus master (LBGACK is deasserted), the local bus block immediately informs the host by issuing a PCI target retry that the local bus is busy and cannot be accessed at that time (in other words, come back later). See [Section 10](#) for details about the PCI target retry. When this happens, the local bus block does not attempt the bus access and keeps the LA, LD, LBHE, LWR (LR/W), and LRD (LDS) signals three-stated.

If the host attempts a local bus access when the bus is busy, the local bus block requests bus access, and, after it has been granted, it seizes the bus for the time programmed into the local bus arbitration timer (LAT0 to LAT3 in the LBBMC register), which can be from 32 to 1,048,576 clocks. As long as the local bus has been granted and the arbitration timer has at least 16 clocks left, the host is allowed to access the local bus. See [Figure 11-4](#) and the timing examples in [Section 11.3](#) for more details.

Bridge Mode Bus Transaction Timing

When the local bus is operated in PCI bridge mode, the bus transaction time can be determined either from an external ready signal (LRDY) or from the PCI bridge mode control register (LBBMC), which allows a bus transaction time of 1 to 11 LCLK cycles. If the total access time to the local bus exceeds 16 PCLK cycles, the PCI access times out and a PCI target retry is sent to the host. This only occurs when LRDY has not been detected within 9 clocks. If this happens, the local bus error (LBE) status bit in the status master (SM) register is set. Additional details about the LBE status bit can be found in [Section 5](#). More details about transaction timing can be found in [Figure 10-4](#) and the timing examples in [Section 11.3](#).

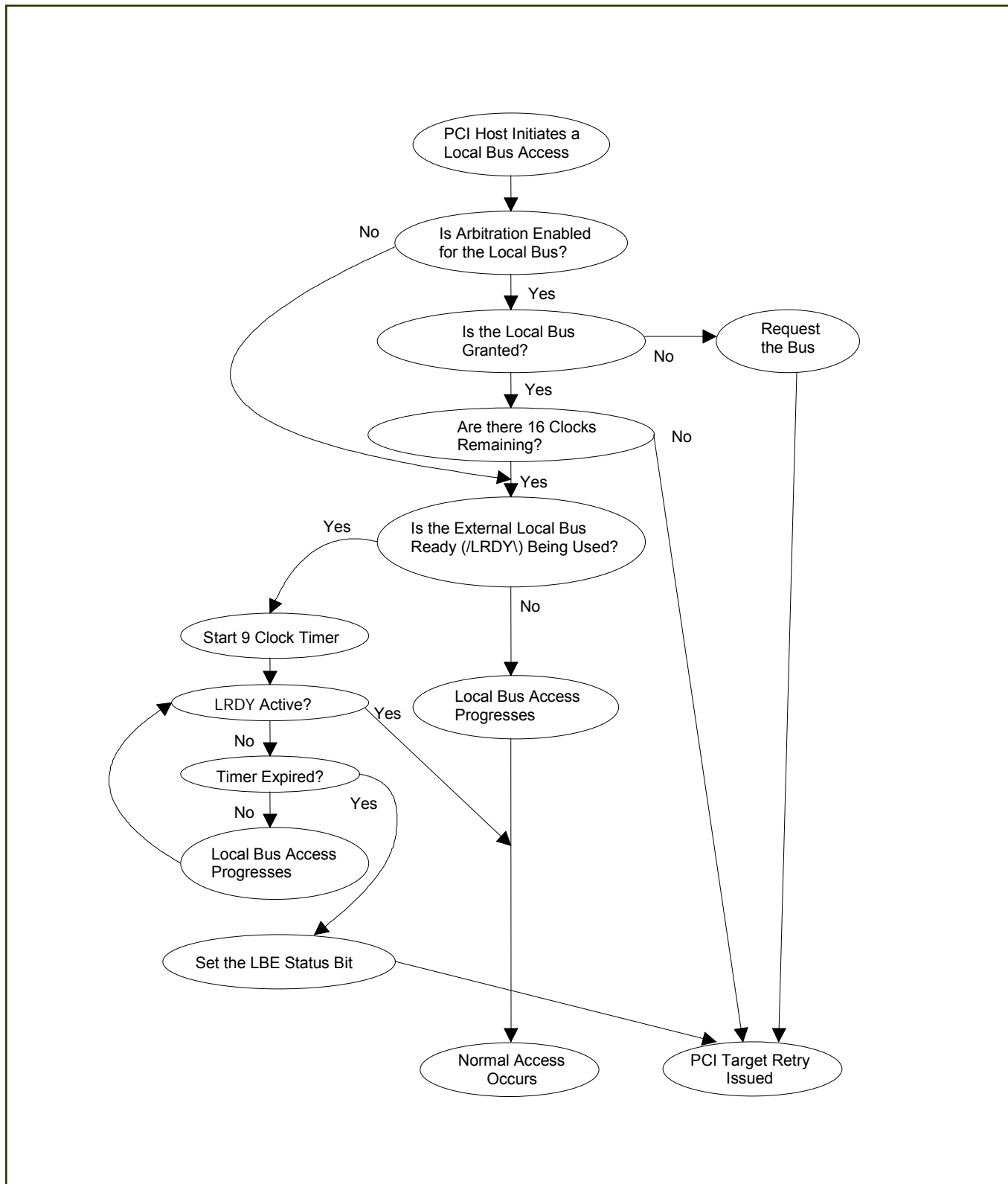
Bridge Mode Interrupt

In the PCI bridge mode, the local bus can detect an external interrupt through the LINT signal. If the local bus detects that the LINTA signal has been asserted, it then sets the LBINT status bit in the status master (SM) register. Setting this status bit can cause a hardware interrupt to occur at the PCI bus through the PINTA signal. This interrupt can be masked through the ISM register. See Section [5](#) for more details.

11.1.2 Configuration Mode

In configuration mode, the local bus is used only to configure the device and obtain status information from the device. It is also used to configure the PCI configuration registers and therefore the PCI bus signal PDSSEL is disabled when the local bus is in the configuration mode. Data cannot be passed from the local bus to the PCI bus in this mode. The PCI bus is only used as a high-speed I/O bus for the HDLC packet data. In this mode, bus arbitration, bus format, and the user-settable bus transaction time features are disabled. All bus accesses are based on 16-bit addresses and 16-bit data in this mode. The upper four addresses (LA[19:16]) are ignored and 8-bit data accesses are not allowed. See Section [13](#) for the AC timing requirements.

Figure 11-4. Local Bus Access Flowchart



11.2 Local Bus Bridge Mode Control Register Description

Register Name: **LBBMC**
 Register Description: **Local Bus Bridge Mode Control**
 Register Address: **0040h**

Note: This register can only be accessed through the PCI bus and therefore only in the PCI bridge mode. In configuration mode, this register cannot be accessed. It is set to all zeros upon a hardware reset issued through the PRST pin. It is not affected by a software reset issued through the RST control bit in the master reset and ID (MRID) register.

Bit #	7	6	5	4	3	2	1	0
Name	reserved	LBW	LRDY3	LRDY2	LRDY1	LRDY0	LARBE	LCLKE
Default	0	0	0	0	0	0	0	0

Bit #	15	14	13	12	11	10	9	8
Name	reserved	reserved	reserved	reserved	LAT3	LAT2	LAT1	LAT0
Default	0	0	0	0	0	0	0	0

Note: Bits that are underlined are read-only; all other bits are read-write.

Bit 0/Local Bus Clock Enable (LCLKE)

- 0 = three-state the LCLK output signal pin
- 1 = allow LCLK to appear at the pin

Bit 1/Local Bus Arbitration Enable (LARBE). When enabled, the L_{HOLD} (LBR), L_{BGACK}, and L_{HLD}A (LBG) signal pins are active and the proper arbitration handshake sequence must occur for a proper bus transaction. When disabled, the L_{HOLD} (LBR), L_{BGACK}, and L_{HLD}A (LBG) signal pins are deactivated and bus arbitration on the local bus is not invoked. Also, the arbitration timer is enabled (see the description of the LAT0 to LAT3 bits) when LARBE is set to 1.

- 0 = local bus arbitration is disabled
- 1 = local bus arbitration is enabled

Bit 2/Local Bus Ready Control Bit 0 (LRDY0). LSB

Bit 3/Local Bus Ready Control Bit 1 (LRDY1)

Bit 4/Local Bus Ready Control Bit 2 (LRDY2)

Bit 5/Local Bus Ready Control Bit 3 (LRDY3). MSB. These control bits determine the duration of the local bus transaction in the PCI bridge mode. The bus transaction can either be controlled through the external LRDY input signal or through a predetermined period of 1 to 11 LCLK periods.

- 0000 = use the LRDY signal input pin to control the bus transaction
- 0001 = bus transaction is defined as 1 LCLK period
- 0010 = bus transaction is defined as 2 LCLK periods
- 0011 = bus transaction is defined as 3 LCLK periods
- 0100 = bus transaction is defined as 4 LCLK periods
- 0101 = bus transaction is defined as 5 LCLK periods
- 0110 = bus transaction is defined as 6 LCLK periods
- 0111 = bus transaction is defined as 7 LCLK periods
- 1000 = bus transaction is defined as 8 LCLK periods
- 1001 = bus transaction is defined as 9 LCLK periods
- 1010 = bus transaction is defined as 10 LCLK periods
- 1011 = bus transaction is defined as 11 LCLK periods
- 1100 = illegal state
- 1101 = illegal state
- 1110 = illegal state
- 1111 = illegal state

Bit 6/Local Bus Width (LBW)

0 = 16 bits

1 = 8 bits

Bits 8 to 11/Local Bus Arbitration Timer Setting (LAT0 to LAT3). These four bits determine the total time the local bus seizes the bus when it has been granted in the arbitration mode (LARBE = 1). This period is measured from LHLDA (LBG) being detected to LBGACK inactive.

CONDITION	33MHz PCLK	25MHz PCLK
0000 = when granted, hold the bus for 32 LCLKs	0.97 μ s	1.3 μ s
0001 = when granted, hold the bus for 64 LCLKs	1.9 μ s	2.6 μ s
0010 = when granted, hold the bus for 128 LCLKs	3.9 μ s	5.1 μ s
0011 = when granted, hold the bus for 256 LCLKs	7.8 μ s	10.2 μ s
0100 = when granted, hold the bus for 512 LCLKs	15.5 μ s	20.5 μ s
1101 = when granted, hold the bus for 262,144 LCLKs	7.9ms	10.5ms
1110 = when granted, hold the bus for 524,288 LCLKs	15.9ms	21.0ms
1111 = when granted, hold the bus for 1,048,576 LCLKs	31.8ms	41.9ms

Note: In bridge mode, LCLK is derived from PCLK inside the DS3131. Their periods, therefore, match.

11.3 Examples of Bus Timing for Local Bus PCI Bridge Mode Operation

Figure 11-5. 8-Bit Read Cycle

Intel Mode (LIM = 0)

Arbitration Enabled (LARBE = 1)

Bus Transaction Time = 4 LCLK (LRDY = 0100)

An attempted access by the host causes the local bus to request the bus. If bus access has not been granted (LBGACK deasserted), the timing shown at the top of the page applies, with LHOLD being asserted. Once LHLDA is detected, the local bus grabs the bus for 32 to 1,048,576 clocks and then releases it. If the bus has already been granted (LBGACK asserted), the timing shown at the bottom of the page applies.

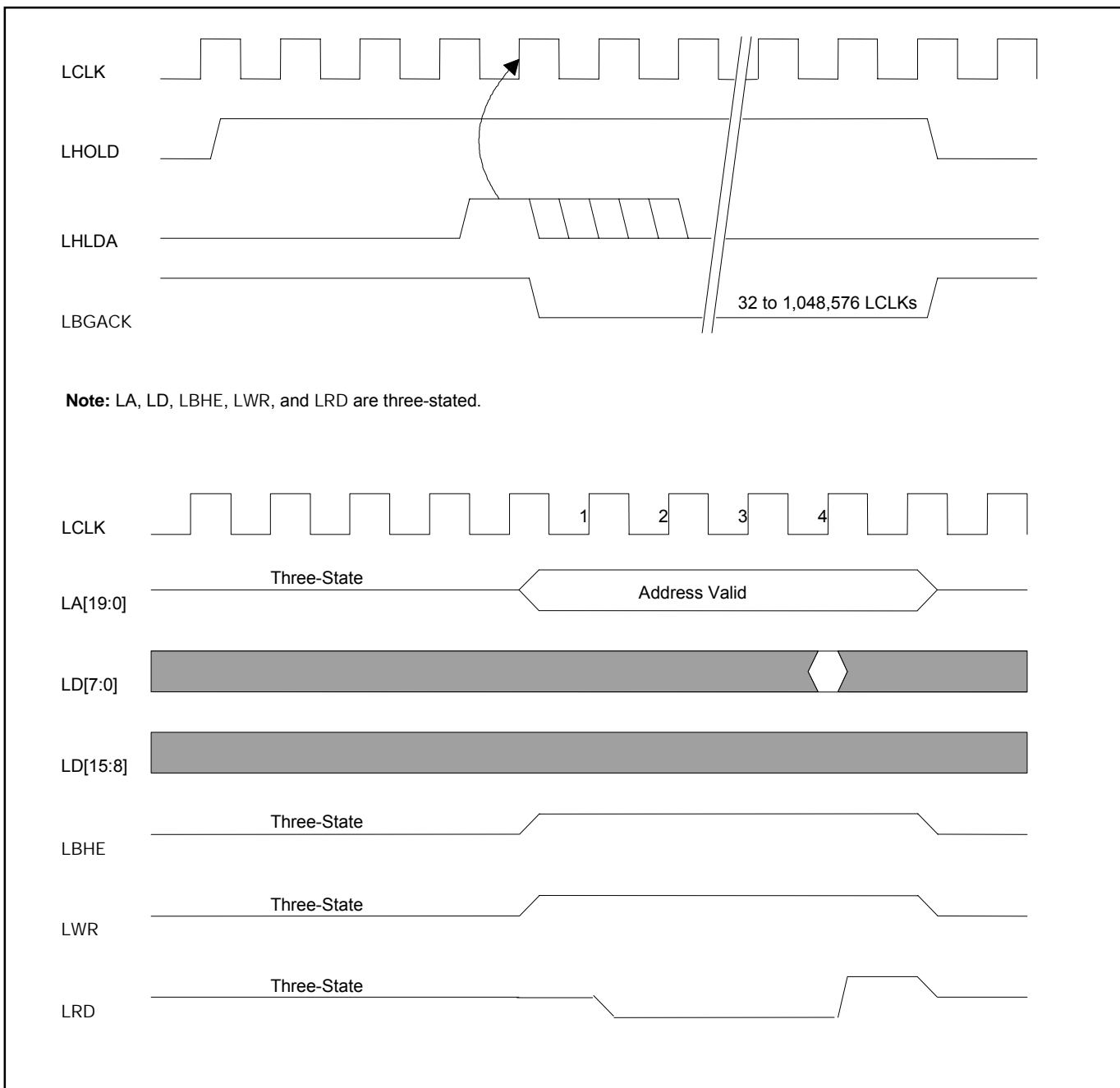


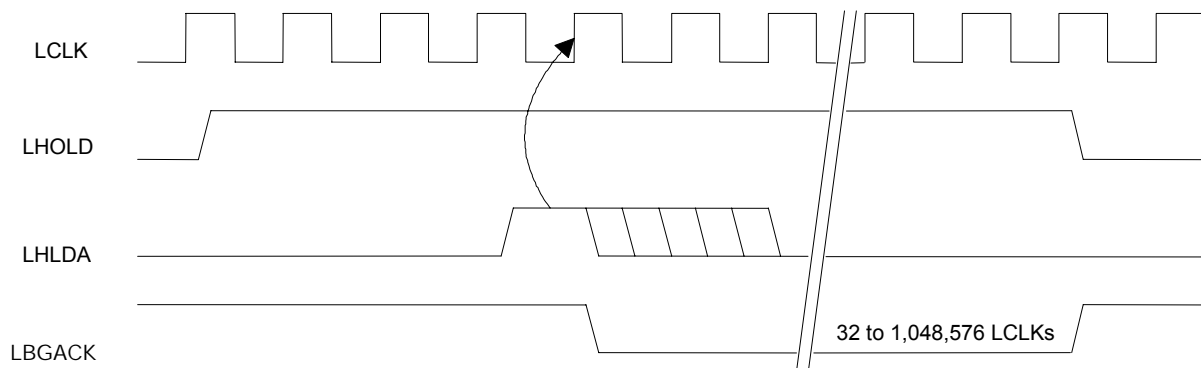
Figure 11-6. 16-Bit Write Cycle

Intel Mode (LIM = 0)

Arbitration Enabled (LARBE = 1)

Bus Transaction Time = 4 LCLK (LRDY = 0100)

An attempted access by the host causes the local bus to request the bus. If bus access has not been granted (LBGACK deasserted), the timing shown at the top of the page applies, with LHOLD being asserted. Once LHLDA is detected, the local bus grabs the bus for 32 to 1,048,576 clocks and then releases it. If the bus has already been granted (LBGACK asserted), the timing shown at the bottom of the page applies.



Note: LA, LD, LBHE, LWR, and LRD are three-stated.

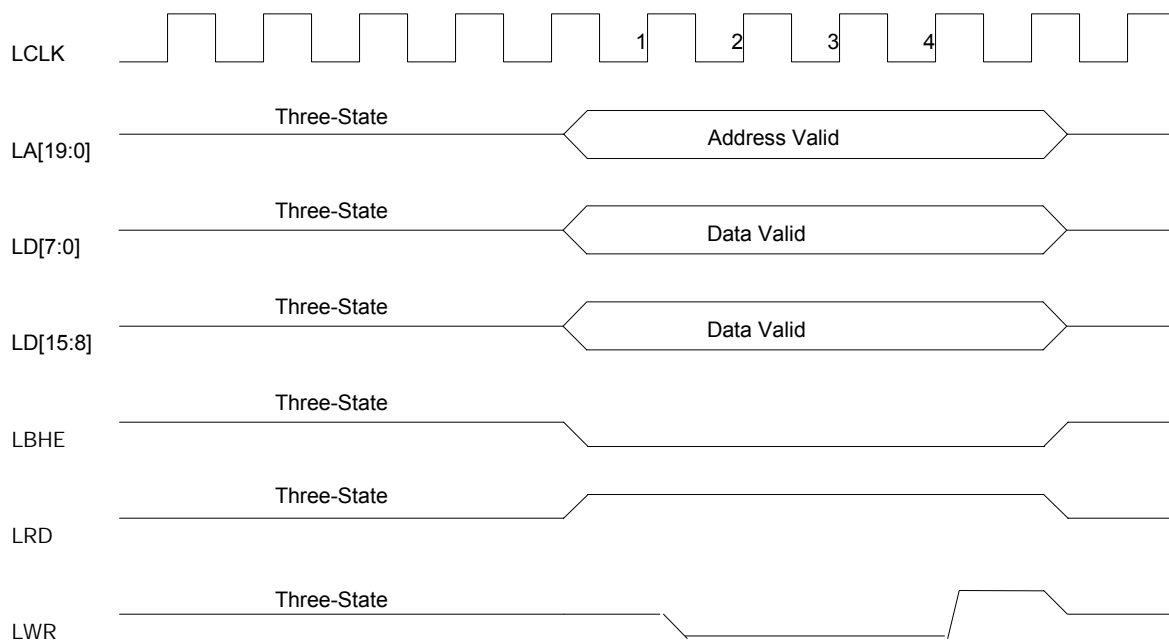


Figure 11-7. 8-Bit Read Cycle

Intel Mode (LIM = 0)

Arbitration Disabled (LARBE = 0)

Bus Transaction Time = Timed from LRDY (LRDY = 0000)

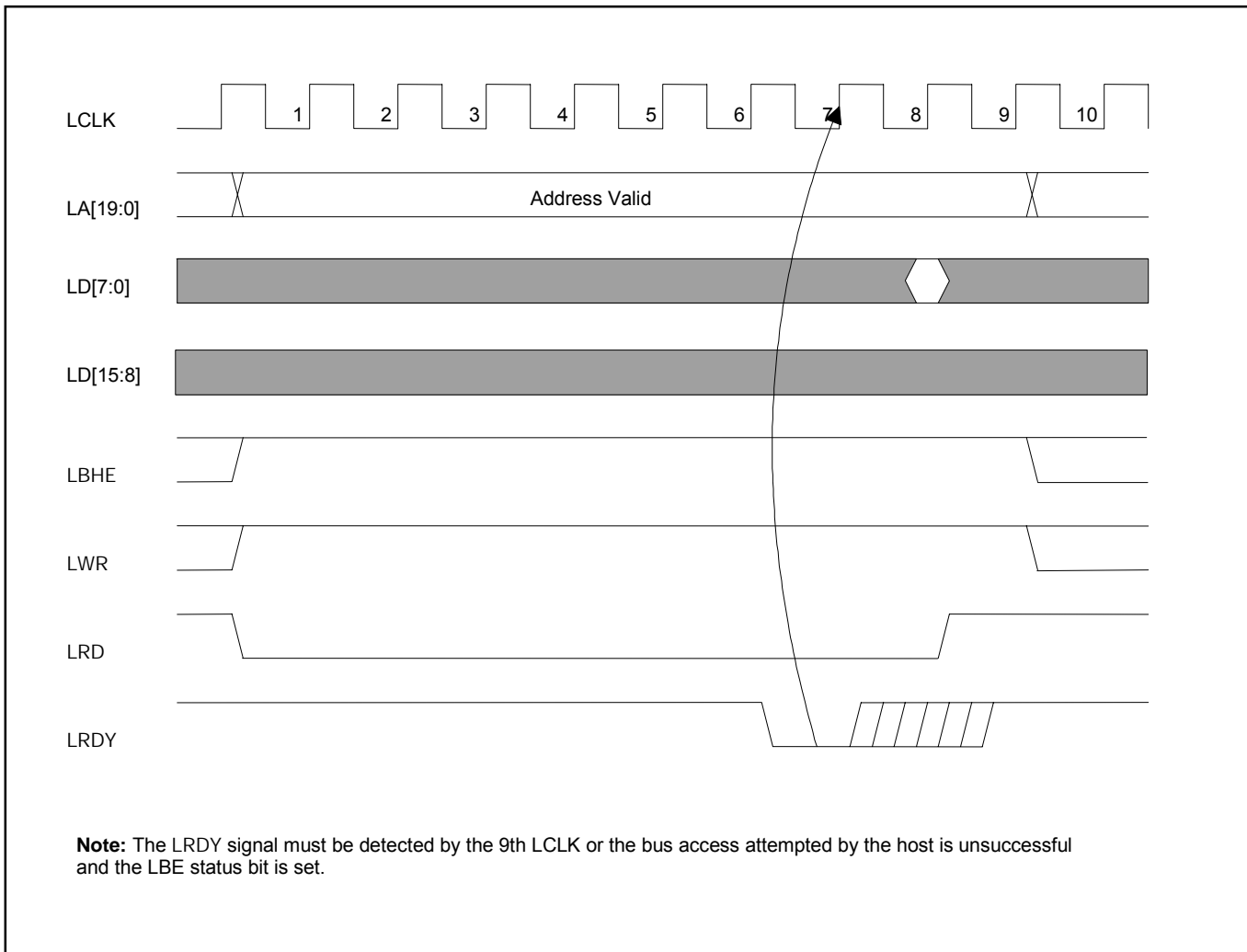


Figure 11-8. 16-Bit Write (Only Upper 8 Bits Active) Cycle

Intel Mode (LIM = 0)

Arbitration Disabled (LARBE = 0)

Bus Transaction Time = Timed from LRDY (LRDY = 0000)

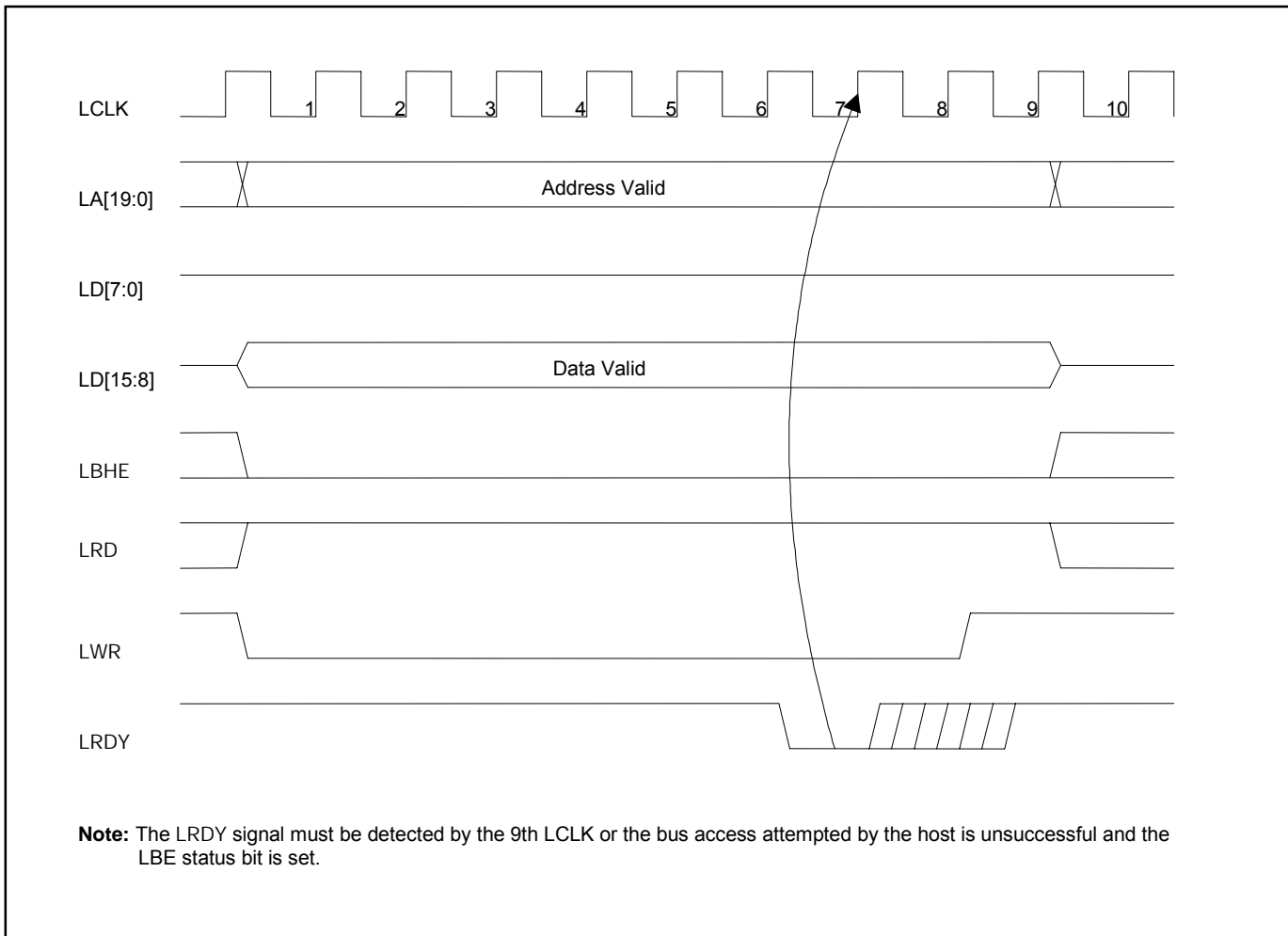


Figure 11-9. 8-Bit Read Cycle

Motorola Mode (LIM = 1)

Arbitration Enabled (LARBE = 1)

Bus Transaction Time = 6 LCLK (LRDY = 0110)

An attempted access by the host causes the local bus to request the bus. If bus access has not been granted (LBGACK deasserted), the timing shown at the top of the page applies, with LBR being asserted. Once LBG is detected, the local bus grabs the bus for 32 to 1,048,576 clocks and then releases it. If the bus has already been granted (LBGACK asserted), the timing shown at the bottom of the page applies.

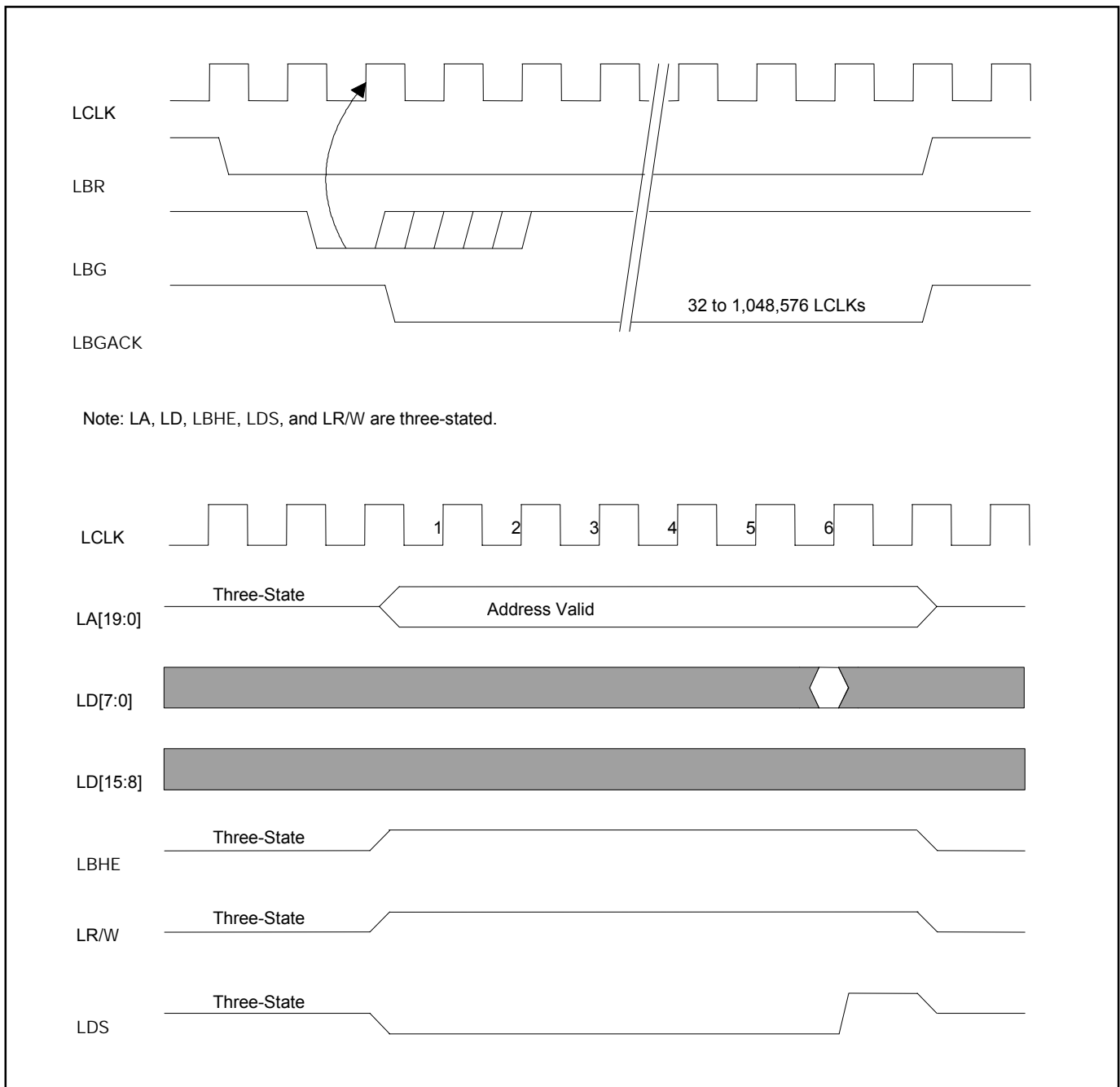


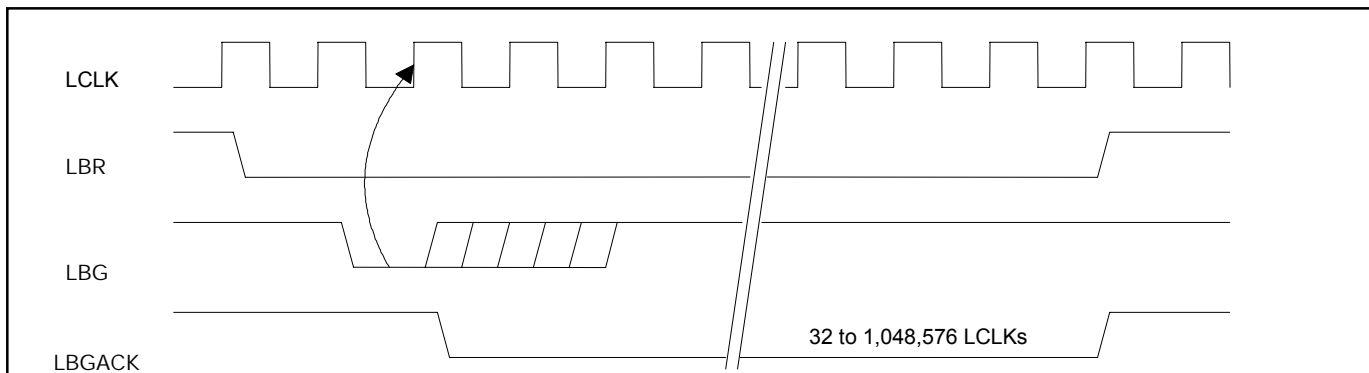
Figure 11-10. 8-Bit Write Cycle

Motorola Mode (LIM = 1)

Arbitration Enabled (LARBE = 1)

Bus Transaction Time = 6 LCLK (LRDY = 0110)

An attempted access by the host causes the local bus to request the bus. If bus access has not been granted (LBGACK deasserted), the timing shown at the top of the page applies, with LBR being asserted. Once LBG is detected, the local bus grabs the bus for 32 to 1,048,576 clocks and then releases it. If the bus has already been granted (LBGACK asserted), the timing shown at the bottom of the page applies.



Note: LA, LD, LBHE, LDS, and LR/W are three-stated.

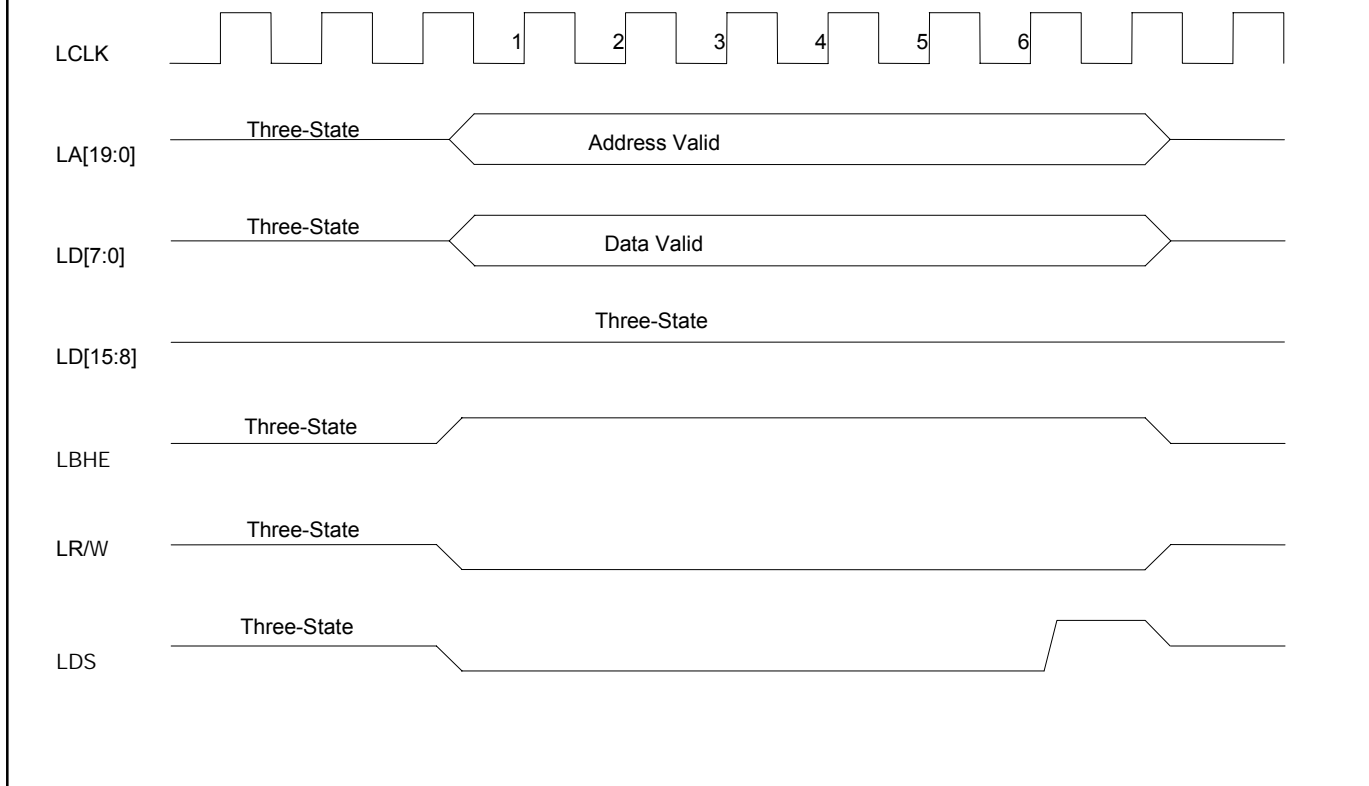


Figure 11-11. 16-Bit Read Cycle

Motorola Mode (LIM = 1)

Arbitration Disabled (LARBE = 0)

Bus Transaction Time = Timed from LRDY (LRDY = 0000)

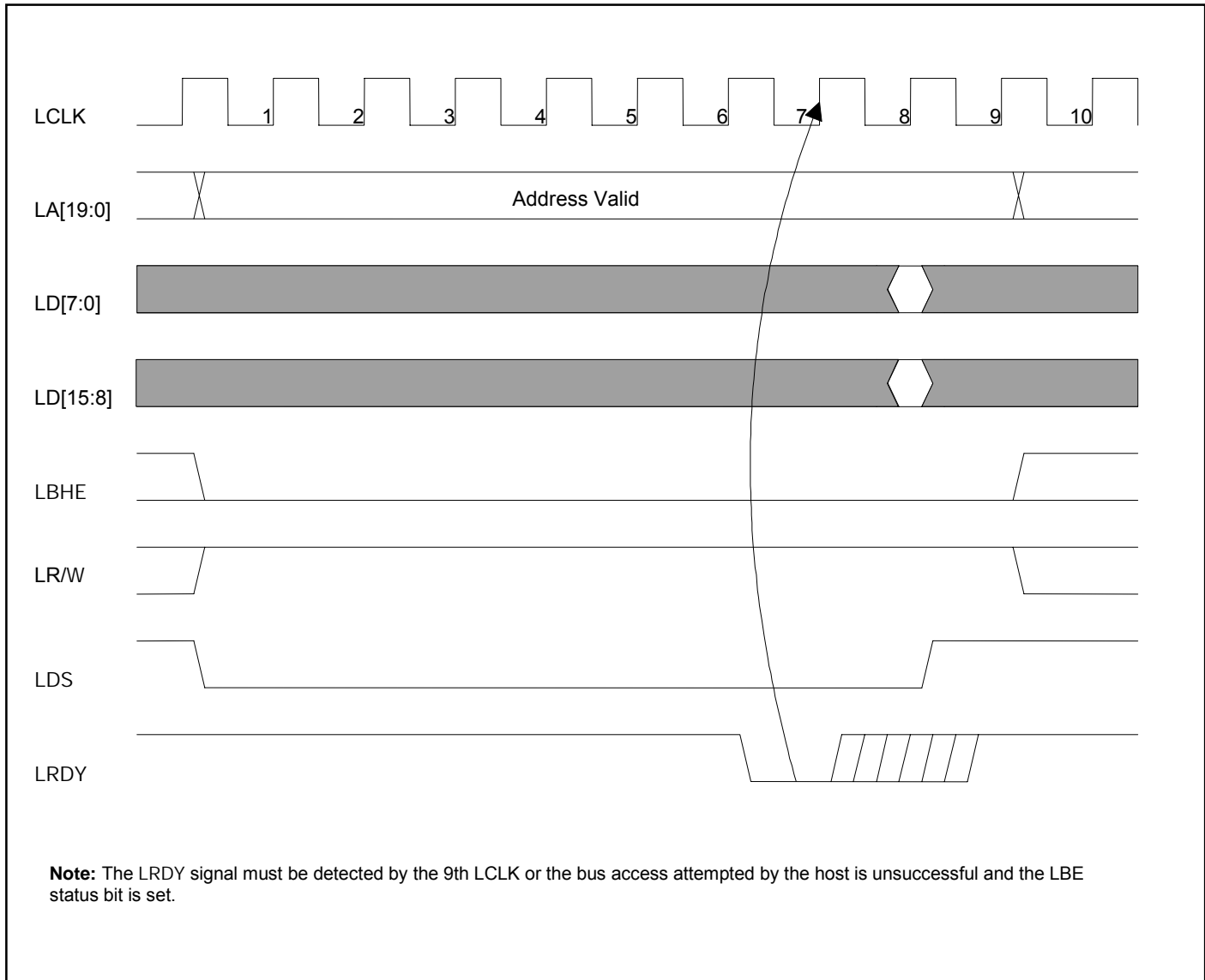
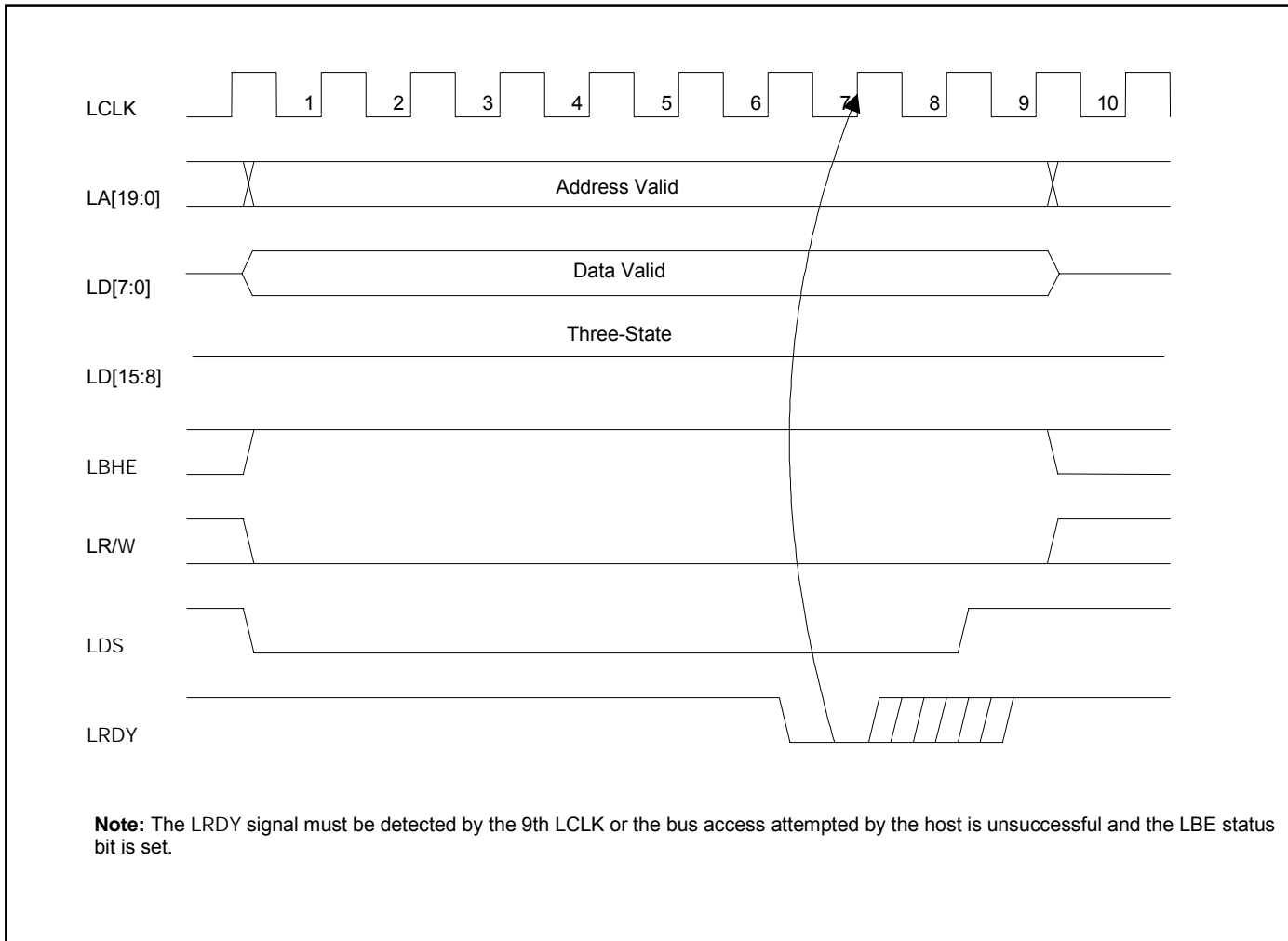


Figure 11-12. 8-Bit Write Cycle

Motorola Mode (LIM = 1)

Arbitration Disabled (LARBE = 0)

Bus Transaction Time = Timed from LRDY (LRDY = 0000)



12. JTAG

12.1 JTAG Description

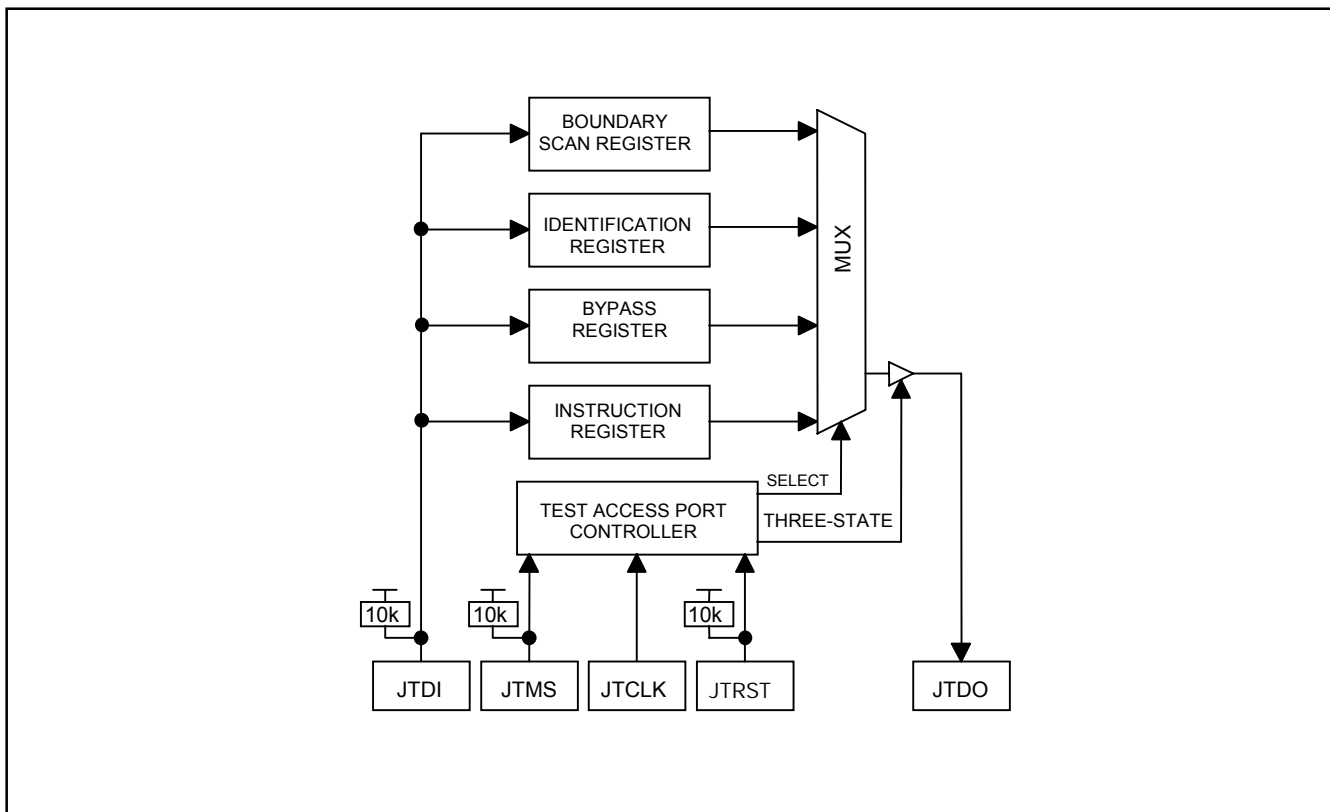
The DS3131 supports the standard instruction codes SAMPLE/PRELOAD, BYPASS, and EXTEST. Optional public instructions included are HIGHZ, CLAMP, and IDCODE. [Figure 12-1](#) is a block diagram. The DS3131 contains the following items, which meet the requirements set by the IEEE 1149.1 Standard Test Access Port and Boundary Scan Architecture:

Test Access Port (TAP)
TAP Controller
Instruction Register

Bypass Register
Boundary Scan Register
Device Identification Register

The TAP has the necessary interface pins JTCLK, JTRST, JTDI, JTDO, and JTMS. Details about these pins can be found in [Section 3.4](#). Refer to IEEE 1149.1-1990, IEEE 1149.1a-1993, and IEEE 1149.1b-1994 for details about the Boundary Scan Architecture and the TAP.

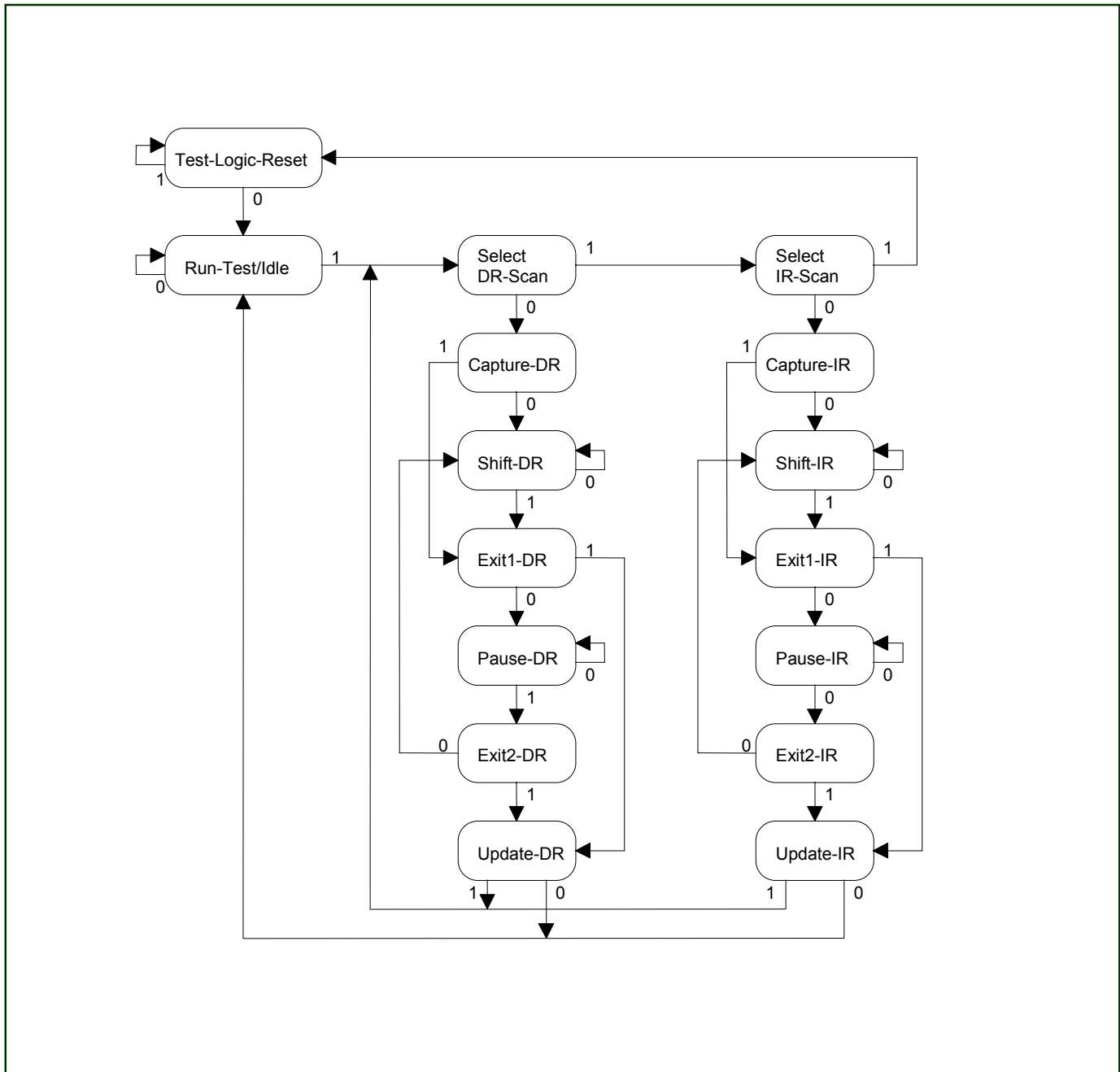
Figure 12-1. Block Diagram



12.2 TAP Controller State Machine Description

This section details the operation of the TAP controller state machine. See [Figure 12-2](#) for details about each of the states described below. The TAP controller is a finite state machine, which responds to the logic level at JTMS on the rising edge of JTCLK.

Figure 12-2. TAP Controller State Machine



Test-Logic-Reset. The TAP controller is in the Test-Logic-Reset state upon DS3131 power-up. The instruction register contains the IDCODE instruction. All system logic on the DS3131 operates normally.

Run-Test-Idle. Run-Test-Idle is used between scan operations or during specific tests. The instruction and test registers remain idle.

Select-DR-Scan. All test registers retain their previous state. With JTMS low, a rising edge of JTCLK moves the controller into the Capture-DR state and initiates a scan sequence. JTMS high moves the controller to the Select-IR-SCAN state.

Capture-DR. Data can be parallel loaded into the test data registers selected by the current instruction. If the instruction does not call for a parallel load or the selected register does not allow parallel loads, the test register remains at its current value. On the rising edge of JTCLK, the controller goes to the Shift-DR state if JTMS is low or it goes to the Exit1-DR state if JTMS is high.

Shift-DR. The test data register selected by the current instruction is connected between JTDI and JTDO and shifts data one stage toward its serial output on each rising edge of JTCLK. If a test register selected by the current instruction is not placed in the serial path, it maintains its previous state.

Exit1-DR. While in this state, a rising edge on JTCLK with JTMS high puts the controller in the Update-DR state, which terminates the scanning process. A rising edge on JTCLK with JTMS low puts the controller in the Pause-DR state.

Pause-DR. Shifting of the test registers is halted while in this state. All test registers selected by the current instruction retain their previous states. The controller remains in this state while JTMS is low. A rising edge on JTCLK with JTMS high puts the controller in the Exit2-DR state.

Exit2-DR. While in this state, a rising edge on JTCLK with JTMS high puts the controller in the Update-DR state and terminates the scanning process. A rising edge on JTCLK with JTMS low enters the Shift-DR state.

Update-DR. A falling edge on JTCLK while in the Update-DR state latches the data from the shift register path of the test registers into the data output latches. This prevents changes at the parallel output because of changes in the shift register. A rising edge on JTCLK with JTMS low puts the controller in the Run-Test-Idle state. With JTMS high, the controller enters the Select-DR-Scan state.

Select-IR-Scan. All test registers retain their previous states. The instruction register remains unchanged during this state. With JTMS low, a rising edge on JTCLK moves the controller into the Capture-IR state and initiates a scan sequence for the instruction register. JTMS high during a rising edge on JTCLK puts the controller back into the Test-Logic-Reset state.

Capture-IR. The Capture-IR state is used to load the shift register in the instruction register with a fixed value. This value is loaded on the rising edge of JTCLK. If JTMS is high on the rising edge of JTCLK, the controller enters the Exit1-IR state. If JTMS is low on the rising edge of JTCLK, the controller enters the Shift-IR state.

Shift-IR. In this state, the shift register in the instruction register is connected between JTDI and JTDO and shifts data one stage for every rising edge of JTCLK toward the serial output. The parallel registers as well as all test registers remain at their previous states. A rising edge on JTCLK with JTMS high moves the controller to the Exit1-IR state. A rising edge on JTCLK with JTMS low keeps the controller in the Shift-IR state while moving data one stage through the instruction shift register.

Exit1-IR. A rising edge on JTCLK with JTMS low puts the controller in the Pause-IR state. If JTMS is high on the rising edge of JTCLK, the controller enters the Update-IR state and terminates the scanning process.

Pause-IR. Shifting of the instruction register is halted temporarily. With JTMS high, a rising edge on JTCLK puts the controller in the Exit2-IR state. The controller remains in the Pause-IR state if JTMS is low during a rising edge on JTCLK.

Exit2-IR. A rising edge on JTCLK with JTMS high puts the controller in the Update-IR state. The controller loops back to the Shift-IR state if JTMS is low during a rising edge of JTCLK in this state.

Update-IR. The instruction shifted into the instruction shift register is latched into the parallel output on the falling edge of JTCLK as the controller enters this state. Once latched, this instruction becomes the current instruction. A rising edge on JTCLK with JTMS low puts the controller in the Run-Test-Idle state. With JTMS high, the controller enters the Select-DR-Scan state.

12.3 Instruction Register and Instructions

The instruction register contains a shift register as well as a latched parallel output and is 3 bits in length. When the TAP controller enters the Shift-IR state, the instruction shift register is connected between JTDI and JTDO. While in the Shift-IR state, a rising edge on JTCLK with JTMS low shifts data one stage toward the serial output at JTDO. A rising edge on JTCLK in the Exit1-IR state or the Exit2-IR state with JTMS high moves the controller to the Update-IR state. The falling edge of that same JTCLK latches the data in the instruction shift register to the instruction parallel output. [Table 12-A](#) shows instructions supported by the DS3131 and their respective operational binary codes.

Table 12-A. Instruction Codes

INSTRUCTION	SELECTED REGISTER	INSTRUCTION CODES
SAMPLE/PRELOAD	Boundary Scan	010
BYPASS	Bypass	111
EXTEST	Boundary Scan	000
CLAMP	Boundary Scan	011
HIGHZ	Boundary Scan	100
IDCODE	Device Identification	001

SAMPLE/PRELOAD. SAMPLE/PRELOAD is a mandatory instruction for the IEEE 1149.1 specification that supports two functions. The digital I/Os of the DS3131 can be sampled at the boundary scan register without interfering with the normal operation of the device by using the Capture-DR state. SAMPLE/PRELOAD also allows the DS3131 to shift data into the boundary scan register through JTDI using the Shift-DR state.

EXTEST. EXTEST allows testing of all interconnections to the DS3131. When the EXTEST instruction is latched in the instruction register, the following actions occur. Once enabled through the Update-IR state, the parallel outputs of all digital output pins are driven. The boundary scan register is connected between JTDI and JTDO. The Capture-DR samples all digital inputs into the boundary scan register.

BYPASS. When the BYPASS instruction is latched into the parallel instruction register, JTDI connects to JTDO through the 1-bit bypass test register. This allows data to pass from JTDI to JTDO without affecting the device's normal operation.

IDCODE. When the IDCODE instruction is latched into the parallel instruction register, the identification test register is selected. The device identification code loads into the identification register on the rising edge of JTCLK following entry into the Capture-DR state. Shift-DR can be used to shift the identification code out serially through JTDO. During Test-Logic-Reset, the identification code is forced into the instruction register's parallel output. The device ID code always has 1 in the LSB position. The next 11 bits identify the manufacturer's JEDEC number and number of continuation bytes followed by 16 bits for the device and 4 bits for the version. The device ID code for the DS3131 is 00008143h.

12.4 Test Registers

IEEE 1149.1 requires a minimum of two test registers, the bypass register and the boundary scan register. An optional identification register has been included in the DS3131 design that is used in conjunction with the IDCODE instruction and the Test-Logic-Reset state of the TAP controller.

Bypass Register

This is a single 1-bit shift register used in conjunction with the BYPASS, CLAMP, and HIGHZ instructions that provides a short path between JTDI and JTDO.

Boundary Scan Register

This register contains both a shift register path and a latched parallel output for all control cells and digital I/O cells. Visit www.maxim-ic.com/telecom for a downloadable BDSL file that contains all bit identity and definition information.

Identification Register

The identification register contains a 32-bit shift register and a 32-bit latched parallel output. This register is selected during the IDCODE instruction and when the TAP controller is in the Test-Logic-Reset state.

13. AC CHARACTERISTICS

ABSOLUTE MAXIMUM RATINGS

Voltage on Any Lead with Respect to V_{SS} (except V_{DD})	-0.3V to 5.5V
Supply Voltage (V_{DD}) with Respect to V_{SS}	-0.3V to 3.63V
Operating Temperature/Ambient Temperature Under Bias	0°C to +70°C
Junction Temperature Under Bias	≤125°C
Storage Temperature Range	-55°C to +125°C
Soldering Temperature Range	See IPC/JEDEC J-STD-020A
ESD Tolerance (Note 1)	Class 2 (2000V→4000V HBM: 1.5kΩ, 100pF)

Stresses beyond those listed under “Absolute Maximum Ratings” may cause permanent damage to the device. These are stress ratings only, and functional operation of the device at these or any other conditions beyond those indicated in the operational sections of the specifications is not implied. Exposure to absolute maximum rating conditions for extended periods may affect device reliability.

RECOMMENDED DC OPERATING CONDITIONS

($T_A = 0^\circ\text{C}$ to $+70^\circ\text{C}$)

PARAMETER	SYMBOL	CONDITIONS	MIN	TYP	MAX	UNITS
Logic 1	V_{IH}	(Notes 2, 3, 4)	2.2		5.5	V
Logic 0	V_{IL}	(Note 2)	-0.3		+0.8	V
Supply	V_{DD}		3.0		3.6	V

DC CHARACTERISTICS

($V_{DD} = 3.0\text{V}$ to 3.6V , $T_A = 0^\circ\text{C}$ to $+70^\circ\text{C}$.)

PARAMETER	SYMBOL	CONDITIONS	MIN	TYP	MAX	UNITS
Supply Current at $V_{DD} = 3.6\text{V}$	I_{DD}	(Note 5)			200	mA
Pin Capacitance	C_{IO}			7		pF
Schmitt Hysteresis	V_{TH}			0.6		V
Input Leakage	I_{IL}	(Note 6)	-10		+10	μA
Input Leakage (with pullups)	I_{ILP}	(Note 6)	-500		+500	μA
Output Leakage	I_{LO}	(Note 7)	-10		+10	μA
Output Current (2.4V)	I_{OH}		-4.0			mA
Output Current (0.4V)	I_{OL}		+4.0			mA
Output Current (2.4V), PCI Outputs	I_{OH}		-8.0			mA
Output Current (0.4V), PCI Outputs	I_{OL}		+8.0			mA
Output Capacitance	C_{OUT}	(Note 8)			25	pF
Output Capacitance	C_{OUTB}	(Note 8)			50	pF

Note 1: Dallas Semiconductor Communications devices are tested in accordance with ESDA STM 5.1-1998.

Note 2: Assumes a reasonably noise-free environment.

Note 3: The PCI 2.1 Specification states that V_{IH} should be $V_{DD}/2$ in a 3.3V signaling environment, and 2.0V in a 5V signaling environment. This is noncompliance.

Note 4: The typical values listed above are not production tested.

Note 5: Measured 170mA with RC0 to RC39 and TC0 to TC39 = 2.048MHz, PCLK = 33MHz, constant traffic on all ports.

Note 6: $0\text{V} < V_{IN} < V_{DD}$

Note 7: Outputs in three-state.

Note 8: C_{OUTB} refers to bus-related outputs (PCI and local bus); C_{OUT} refers to all other outputs.

AC CHARACTERISTICS: LAYER 1 PORTS

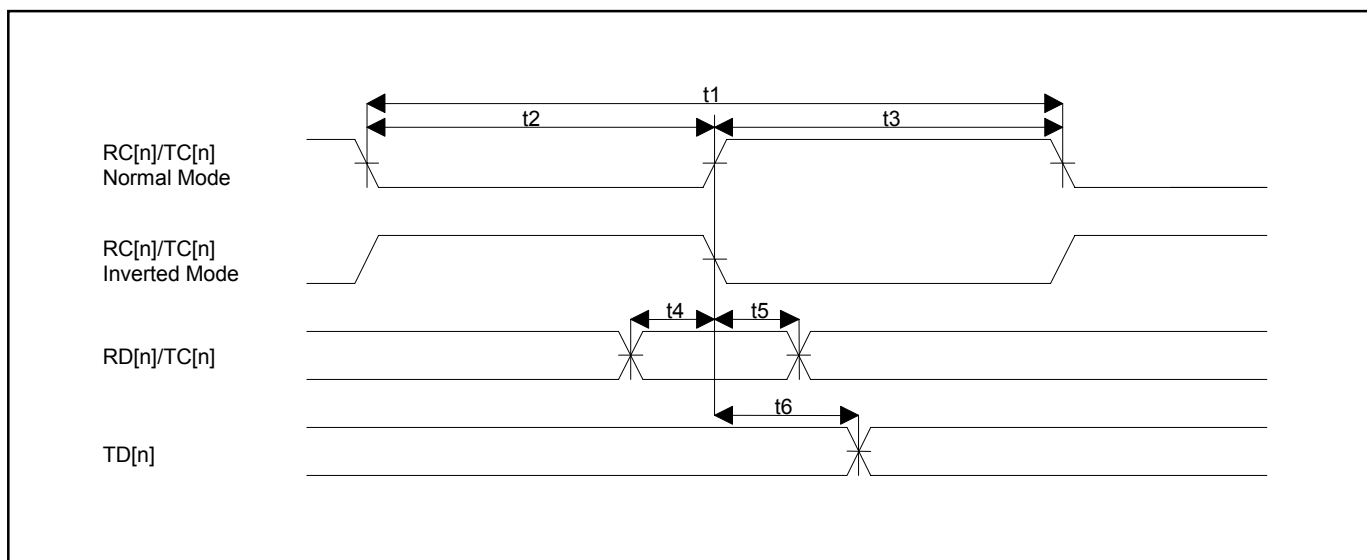
($V_{DD} = 3.0V$ to $3.6V$, $T_A = 0^{\circ}C$ to $+70^{\circ}C$.)

PARAMETER	SYMBOL	CONDITIONS	MIN	TYP	MAX	UNITS
RC/TC Clock Period	t1	(Note 9)	19			ns
RC/TC Clock Low Time	t2		8			ns
RC/TC Clock High Time	t3		8			ns
RD Setup Time to the Falling Edge or Rising Edge of RC	t4		5			ns
RD Hold Time from the Falling Edge or Rising Edge of RC	t5		1			ns
Delay from the Rising Edge or Falling Edge of TC to Data Valid on TD	t6	(Note 10)	10		15	ns

Note 9: Aggregate, maximum bandwidth and port speed for the DS3131 are directly proportional to PCLK frequency. With a PCLK of 40ns, for example, the minimum layer one port clock period (t1) is derated to 20ns.

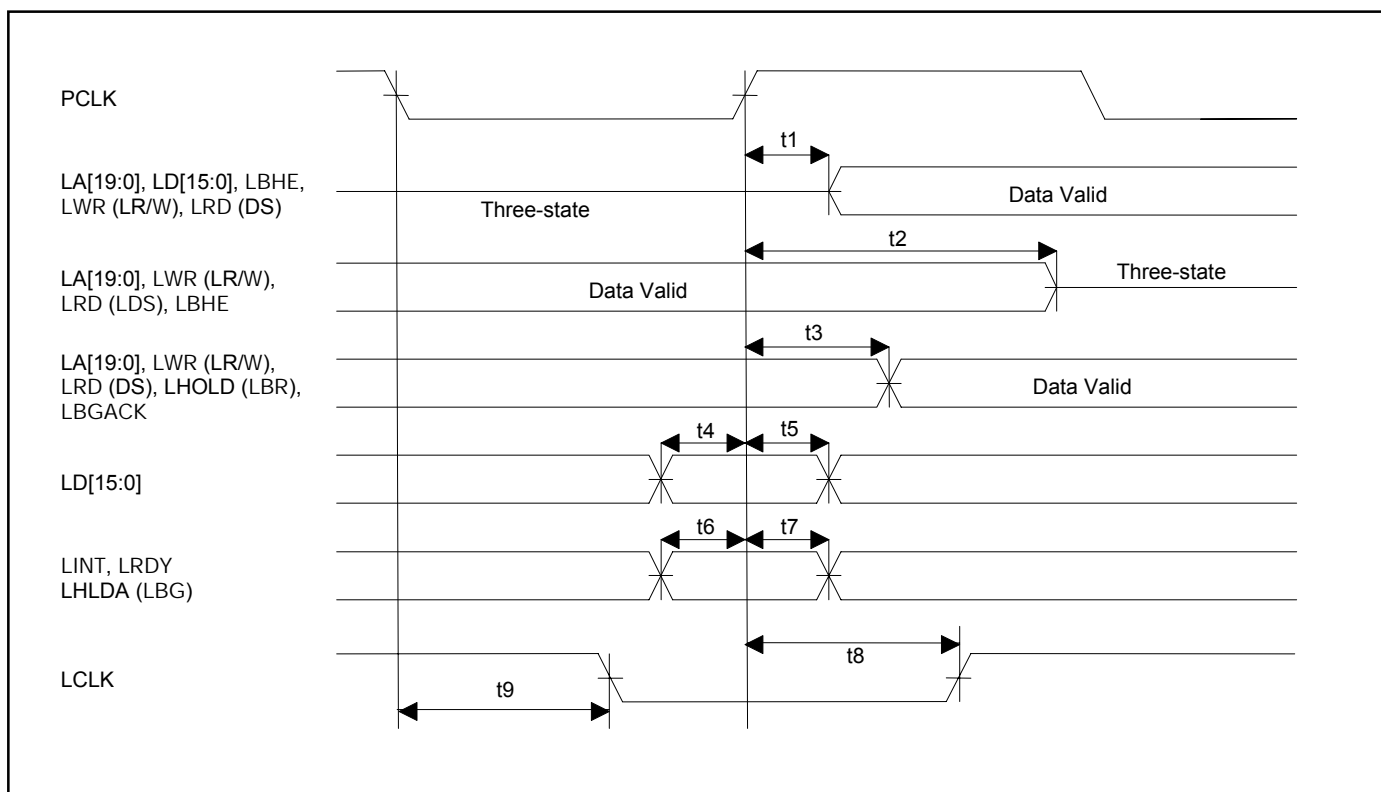
Note 10: In BERT mode, t6 (max) is 17ns.

Figure 13-1. Layer 1 Port AC Timing Diagram



AC CHARACTERISTICS: LOCAL BUS IN BRIDGE MODE (LMS = 0)(V_{DD} = 3.0V to 3.6V, T_A = 0°C to +70°C.)

PARAMETER	SYMBOL	CONDITIONS	MIN	TYP	MAX	UNITS
Delay Time from the Rising Edge of PCLK to Output Valid from Three-state	t1		9		17	ns
Delay Time from the Rising Edge of PCLK to Three-State from Output Valid	t2		7		15	ns
Delay Time from the Rising Edge of PCLK to Output Valid from an Already Active Drive State	t3		6		14	ns
LD[15:0] Setup Time to the Rising Edge of PCLK	t4		1			ns
LD[15:0] Hold Time from the Rising Edge of PCLK	t5		5			ns
Input Setup Time to the Rising Edge of PCLK	t6		1			ns
Input Hold Time from the Rising Edge of PCLK	t7		5			ns
Delay Time from the Rising Edge of PCLK to the Rising Edge of LCLK	t8		4		7	ns
Delay Time from the Falling Edge of PCLK to the Falling Edge of LCLK	t9		5		8	ns

Figure 13-2. Local Bus Bridge Mode (LMS = 0) AC Timing Diagram

AC CHARACTERISTICS: LOCAL BUS IN CONFIGURATION MODE (LMS = 1)(V_{DD} = 3.0V to 3.6V, T_A = 0°C to +70°C.)

PARAMETER	SYMBOL	CONDITIONS	MIN	TYP	MAX	UNITS
Setup Time for LA[15:0] Valid to LCS Active	t1		0			ns
Setup Time for LCS Active to Either LRD, LWR, or LDS Active	t2		0			ns
Delay Time from Either LRD or LDS Active to LD[19:0] Valid	t3				75	ns
Hold Time from Either LRD, LWR, or LDS Inactive to LCS Inactive	t4		0			ns
Hold Time from Either LRD or LDS Inactive to LD[15:0] Three-state	t5		5		20	ns
Wait Time from Either LWR or LDS Active to Latch LD[15:0]	t6		75			ns
LD[15:0] Setup Time to Either LWR or LDS Inactive	t7		10			ns
LD[15:0] Hold Time from Either LWR or LDS Inactive	t8		2			ns
LA[15:0] Hold from Either LWR, LRD, or LDS Inactive	t9		5			ns
LRD, LWD, or LDS Inactive Time	t10		75			ns

Figure 13-3. Local Bus Configuration Mode (LMS = 1) AC Timing Diagrams

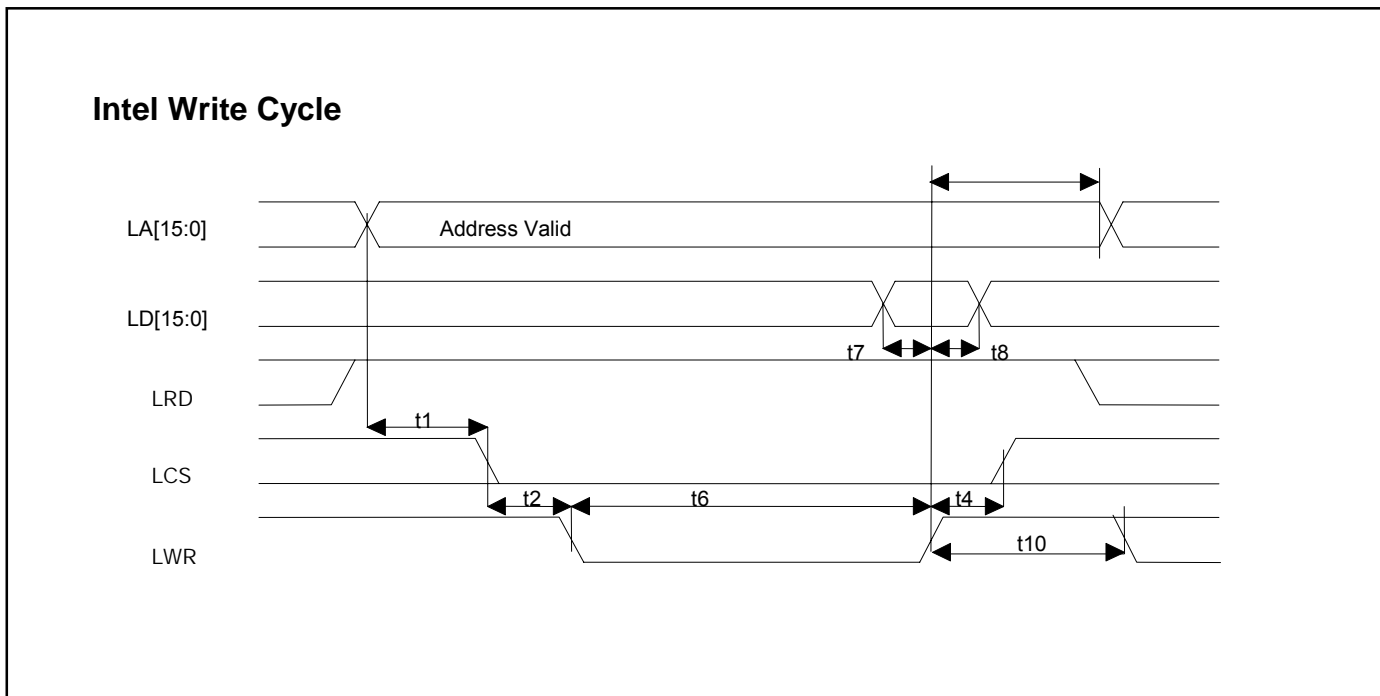
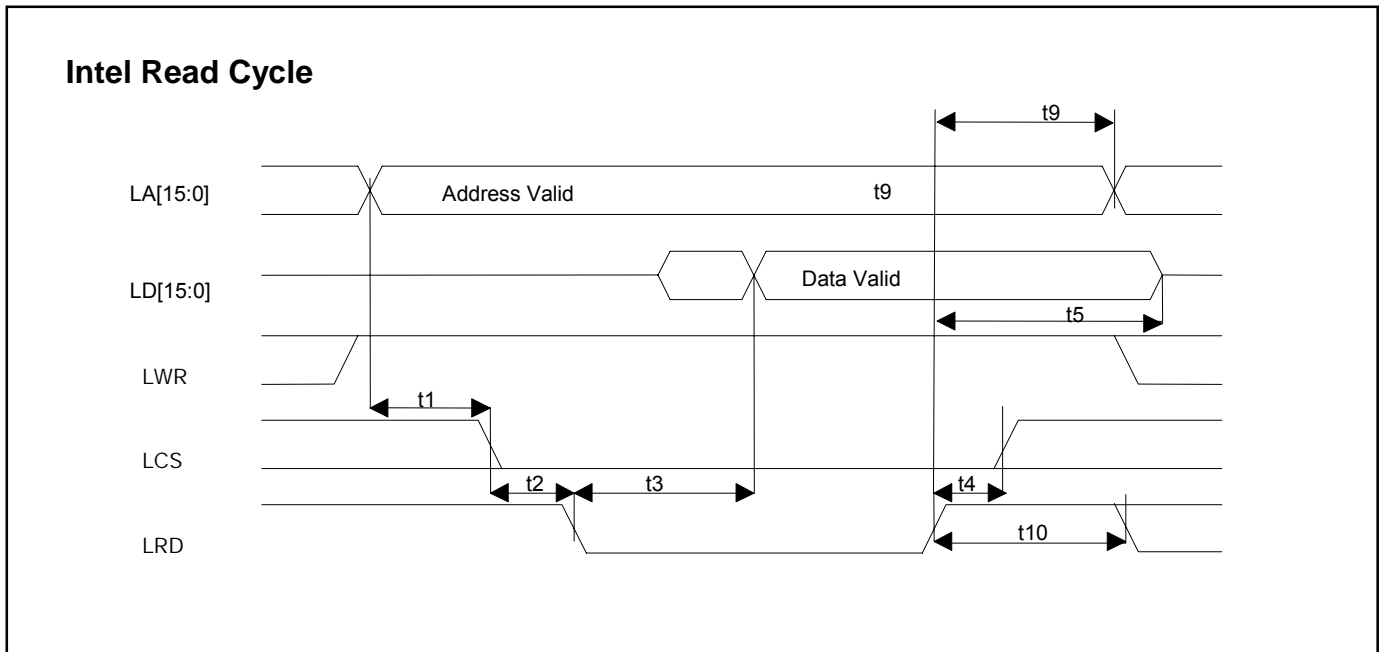
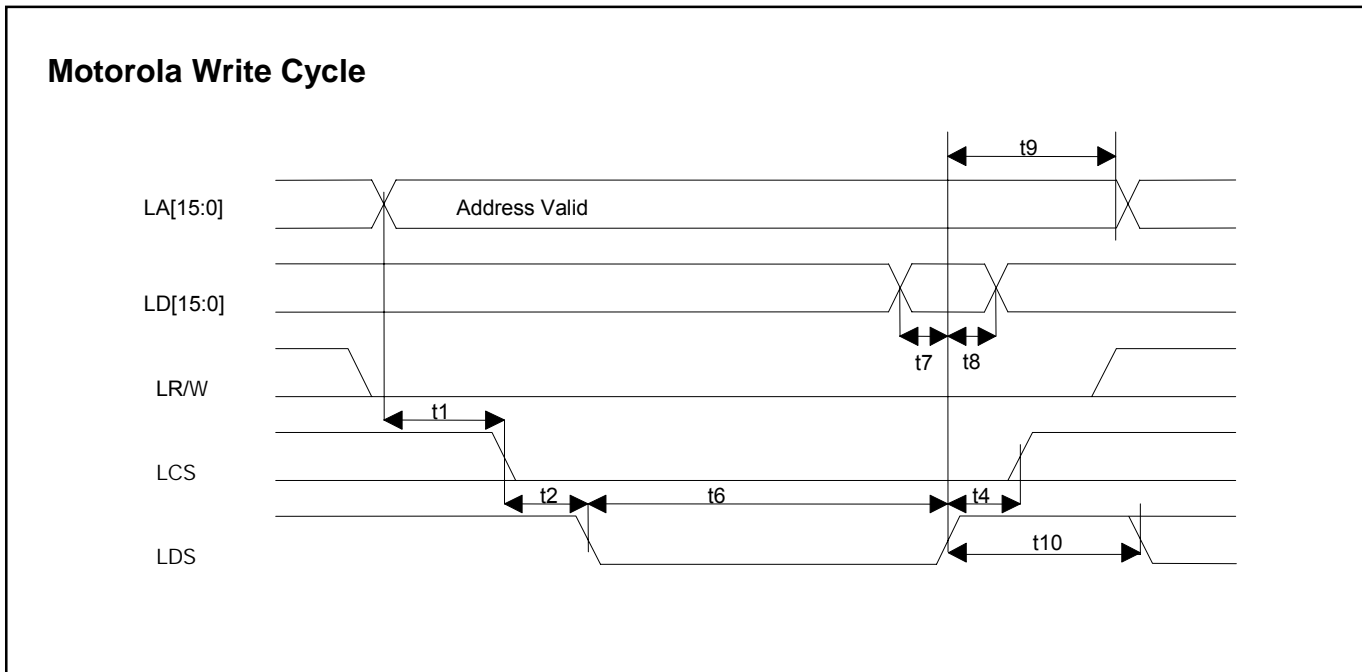
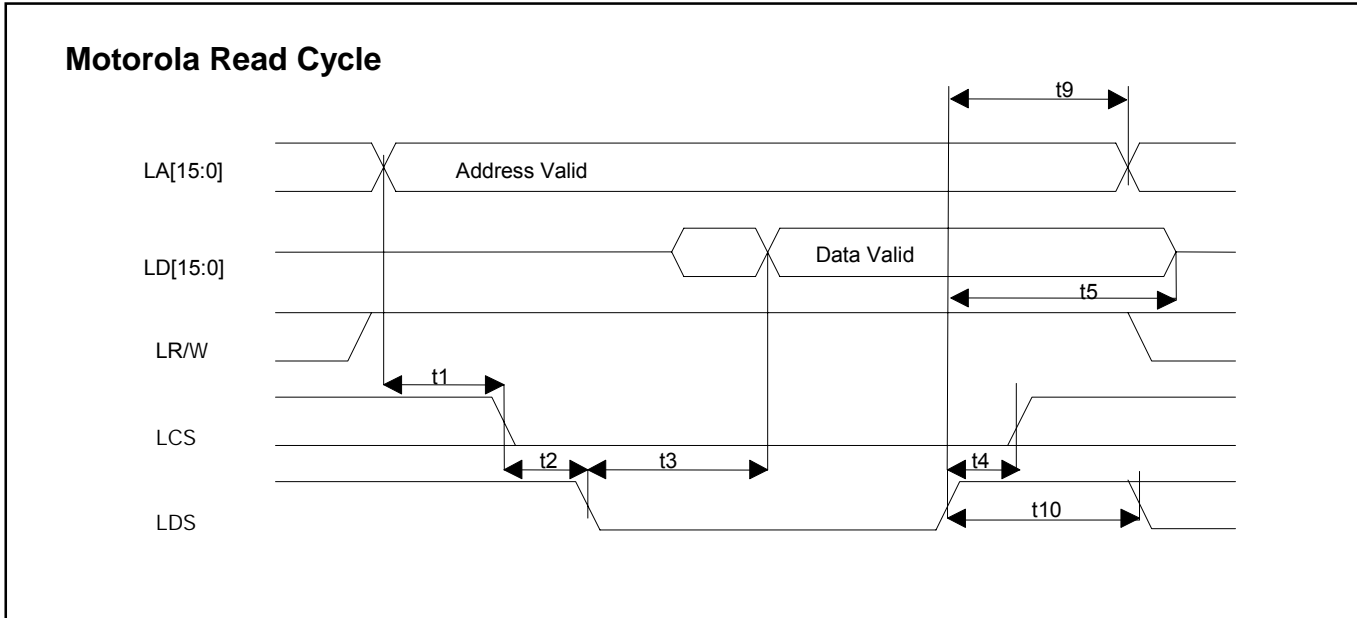


Figure 13-4. Local Bus Configuration Mode (LMS = 1) AC Timing Diagrams (continued)



AC CHARACTERISTICS: PCI BUS INTERFACE

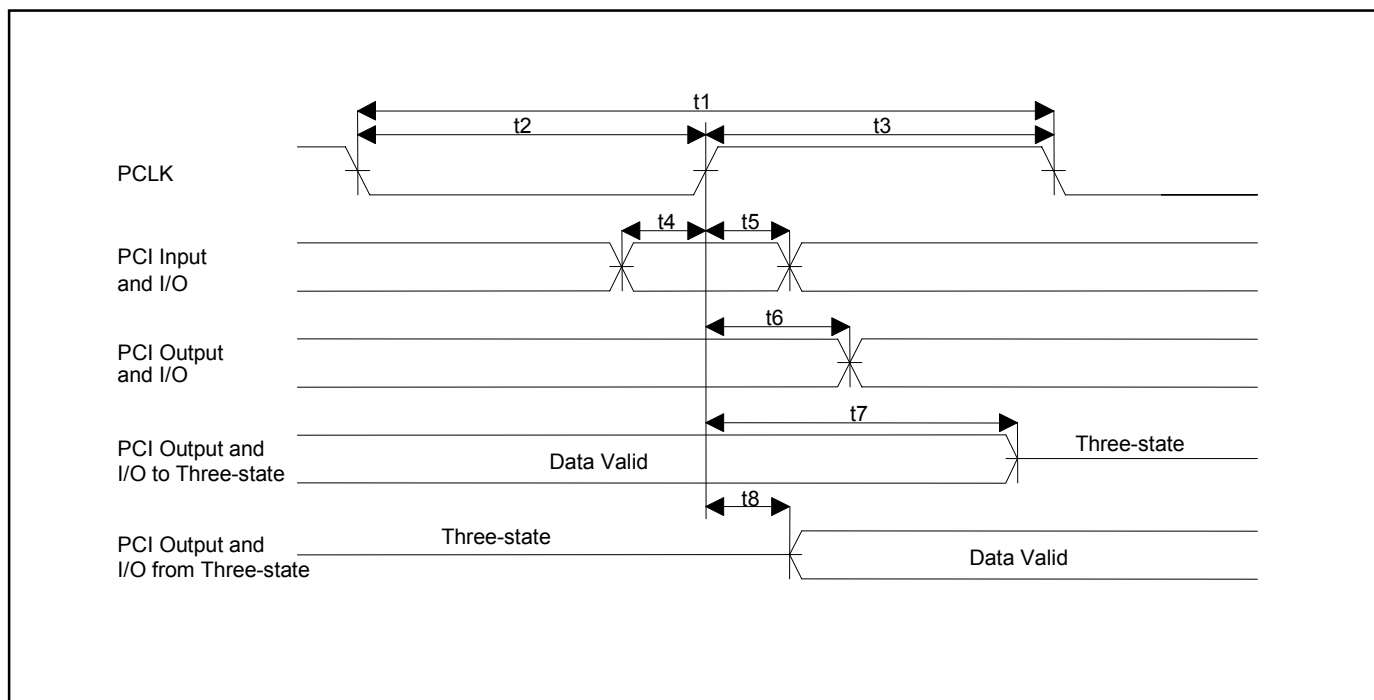
($V_{DD} = 3.0V$ to $3.6V$, $T_A = 0^{\circ}C$ to $+70^{\circ}C$.)

PARAMETER	SYMBOL	CONDITIONS	MIN	TYP	MAX	UNITS
PCLK Period	t1	(Note 11)	30		40	ns
PCLK Low Time	t2		12			ns
PCLK High Time	t3		12			ns
All PCI Inputs and I/O Setup Time to the Rising Edge of PCLK	t4		7			ns
All PCI Inputs and I/O Hold Time from the Rising Edge of PCLK	t5	(Note 12)	1			ns
Delay from the Rising Edge of PCLK to Data Valid on all PCI Outputs and I/O	t6		2		11	ns
Delay from the Rising Edge of PCLK to Three-state on all PCI Outputs and I/O	t7				28	ns
Delay from the Rising Edge of PCLK to Data Valid from Three-state on all PCI Outputs and I/O	t8		2			ns

Note 11: Aggregate, maximum bandwidth and port speed for the DS3131 are directly proportional to PCLK frequency. With a PCLK of 40ns, for example, the minimum layer one port clock period (t1) is derated to 20ns.

Note 12: The PCI 2.1 Specification dictates that t5 should be 0ns. The 1ns value is noncompliance; however, this should not present an issue in a real-world board design.

Figure 13-5. PCI Bus Interface AC Timing Diagram

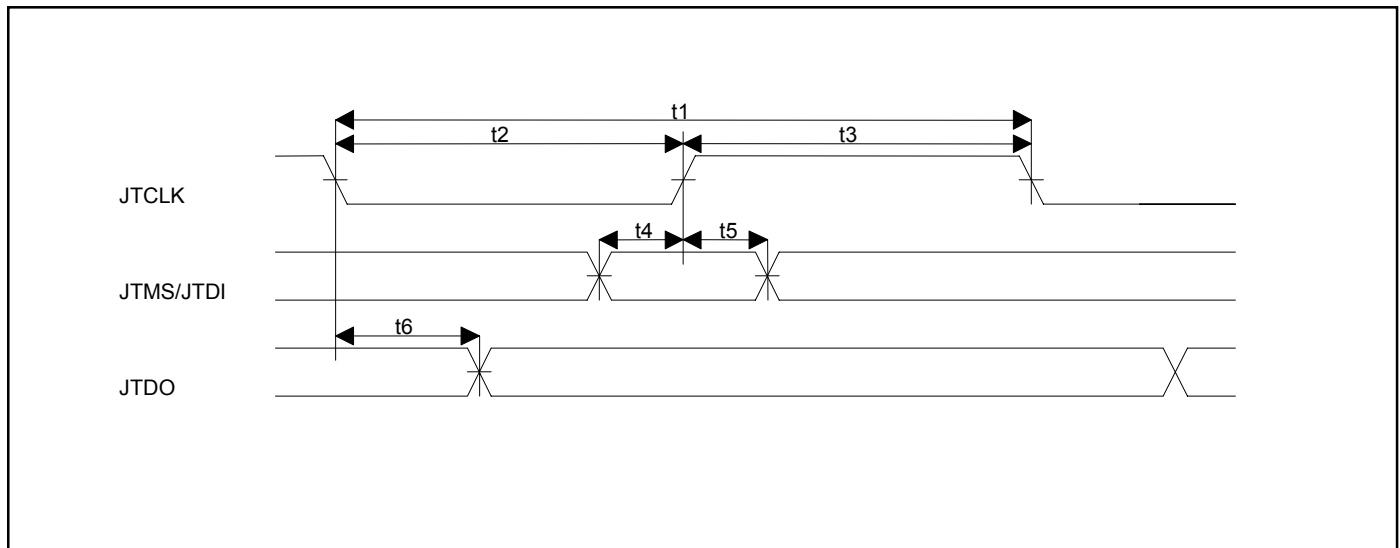


AC CHARACTERISTICS: JTAG TEST PORT INTERFACE

($V_{DD} = 3.0V$ to $3.6V$, $T_A = 0^{\circ}C$ to $+70^{\circ}C$.)

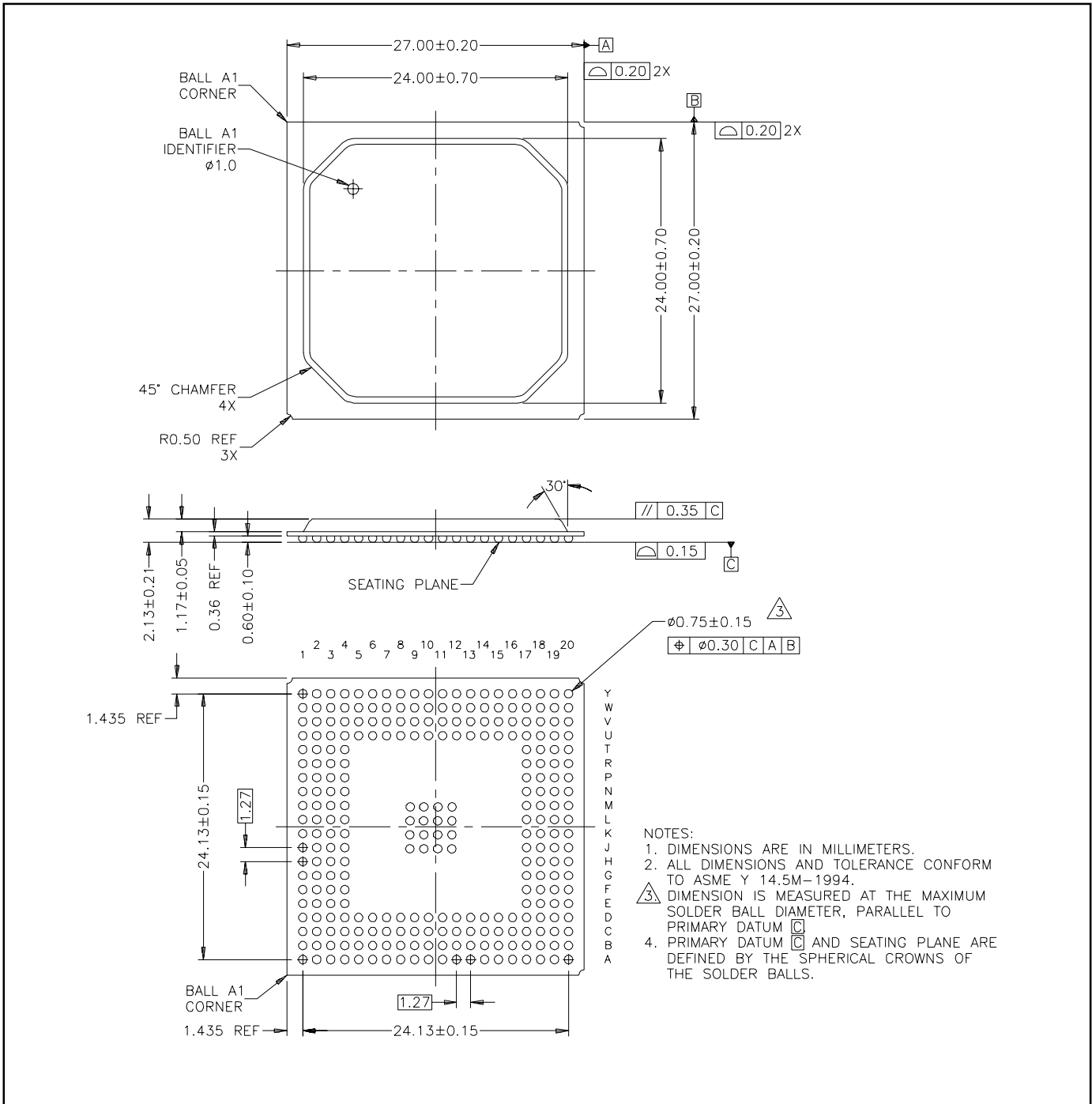
PARAMETER	SYMBOL	CONDITIONS	MIN	TYP	MAX	UNITS
JTCLK Clock Period	t1		1000			ns
JTCLK Clock Low Time	t2		400			ns
JTCLK Clock High Time	t3		400			ns
JTMS/JTDI Setup Time to the Rising Edge of JTCLK	t4		50			ns
JTMS/JTDI Hold Time from the Rising Edge of JTCLK	t5		50			ns
Delay Time from the Falling Edge of JTCLK to Data Valid on JTDO	t6		2		50	ns

Figure 13-6. JTAG Test Port Interface AC Timing Diagram



14. MECHANICAL DIMENSIONS

14.1 272 PBGA Package



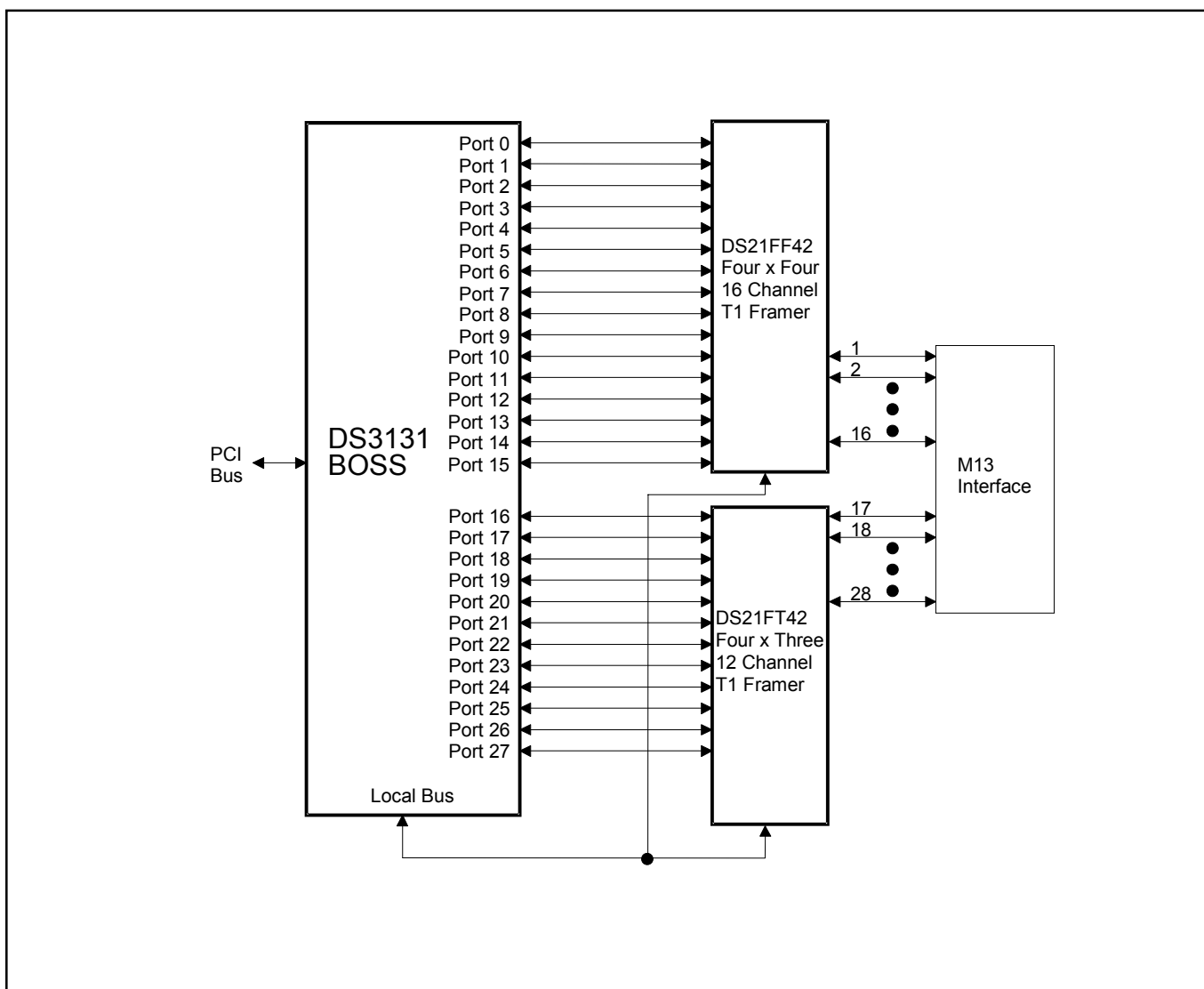
15. APPLICATIONS

This section describes some possible applications for the DS3131. There are many potential configurations but only a few are shown. Users are encouraged to contact the factory for support of their particular application. Email telecom.support@dalsemi.com or visit our website at www.maxim-ic.com/telecom for more information.

15.1 T1/E1 and T3/E3 Applications

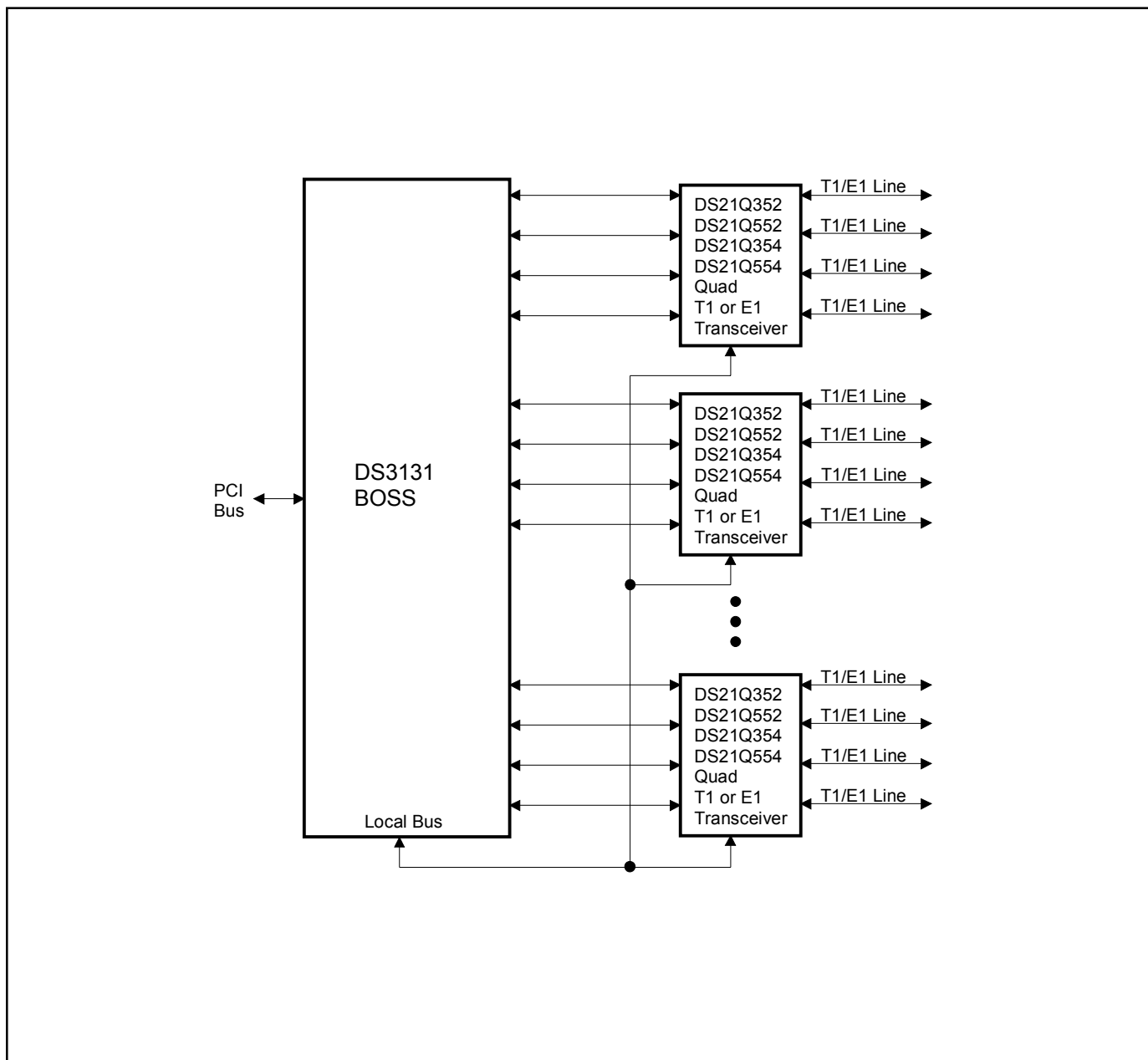
Figure 15-1 shows an application where 28 T1 lines are being terminated into the DS3131. In this application, the 28 T1 lines have been demultiplexed down from a T3 link, and the DS21FF42 and DS21FT42 framers are used to locate the frame boundaries of the incoming T1 links. The local bus (if enabled) can be used to configure and monitor the T1 framers.

Figure 15-1. 28 T1 Lines Demuxed from a T3 Line



[Figure 15-2](#) shows an application where up to 40 T1 or E1 ports are interfaced to a single DS3131. In this application, the quad T1 and E1 transceivers (DS21Q352/DS21Q552/DS21Q354/DS21Q554) perform the line interface function and frames to the T1 or E1 line. The local bus (if enabled) can be used to configure and monitor the T1/E1 transceivers.

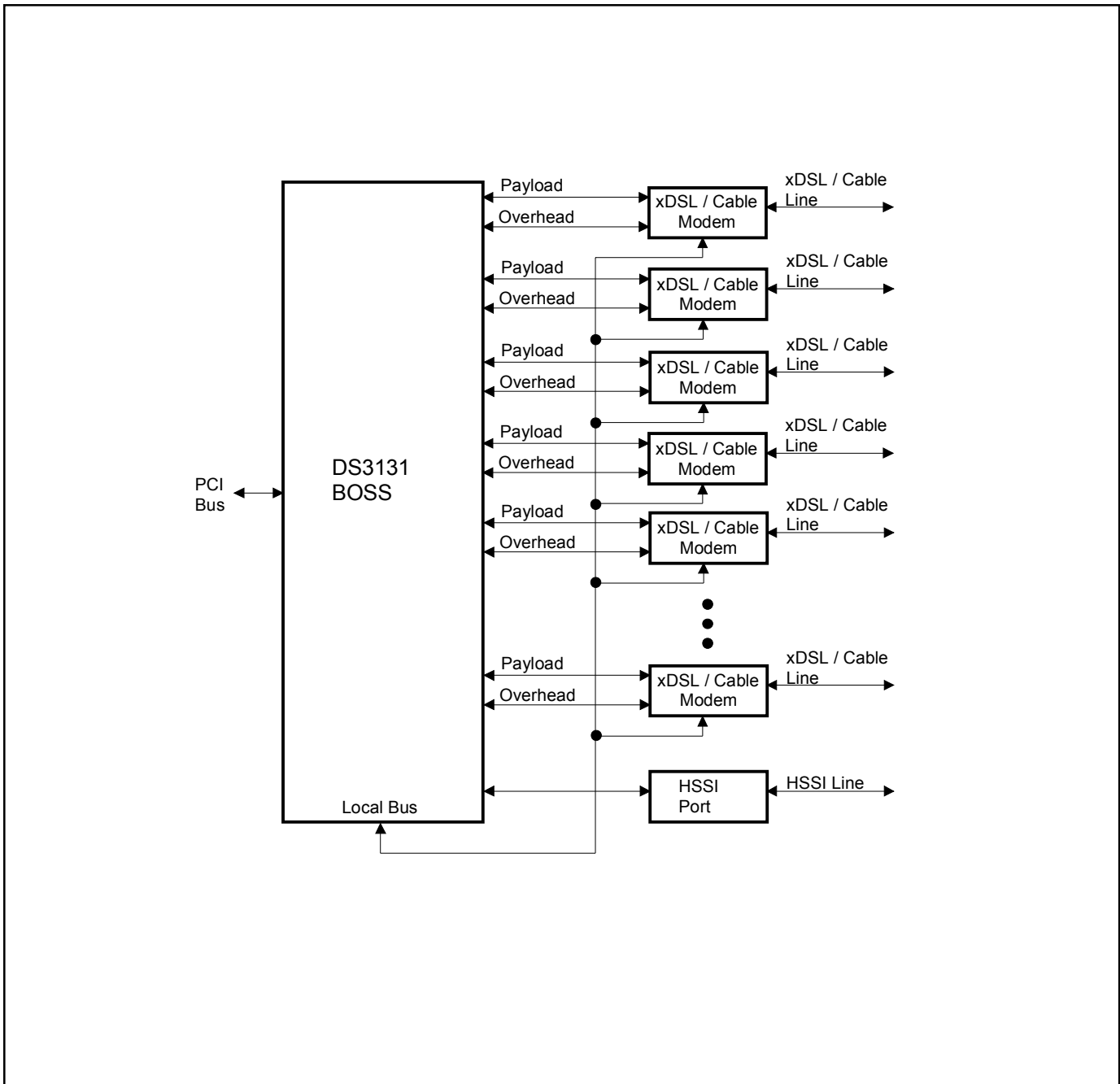
Figure 15-2. Multiport T1 or E1 Application



15.2 DSL and Cable Modem Applications

Figure 15-4 shows an application where multiple xDSL or cable modems are interfaced to a single DS3131. Such an application would exist in a DSLAM. The DS3131 is used to terminate both the payload of the xDSL/cable modem link as well as the overhead channels (like the links used for signaling and provisioning). In this application, one of the ports on the DS3131 has been dedicated to an HSSI to allow the concentrated packet traffic to be linked to another entity. The local bus (if enabled) can be used to configure and monitor the xDSL/cable modems.

Figure 15-4. DSLAM/Cable Modem Application



15.3 ONET/SDH Applications

[Figure 15-5](#) shows an application where the overhead links on multiple SONET or SDH lines are being terminated into a single DS3131. The local bus (if enabled) can be used to configure and monitor the SONET/SDH interfaces.

Figure 15-5. SONET/SDH Overhead Termination Application

